

ASSEMBLY INSTRUCTIONS

2 DOOR WARDROBE

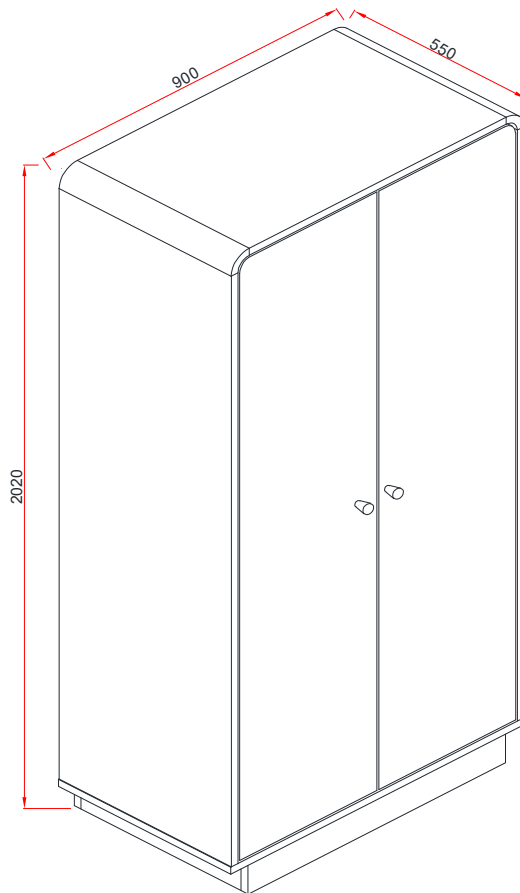
Approximate Assembly Time



People Required to Assemble



Tools Required



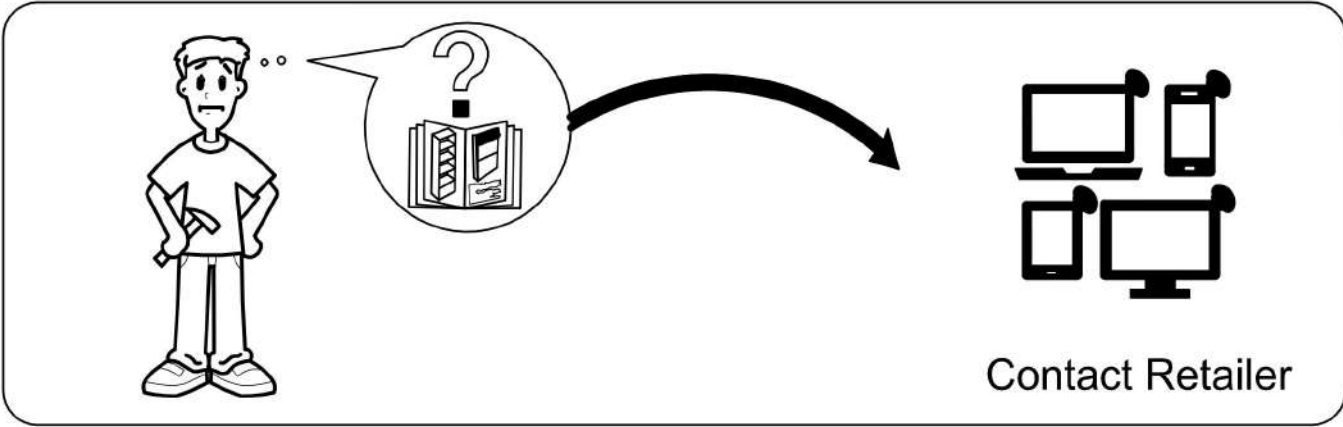
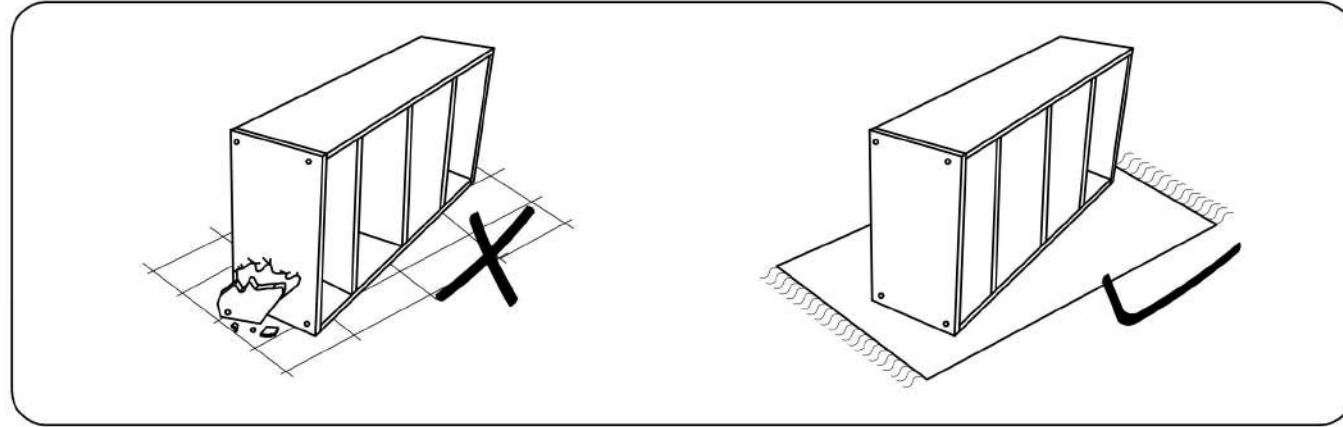
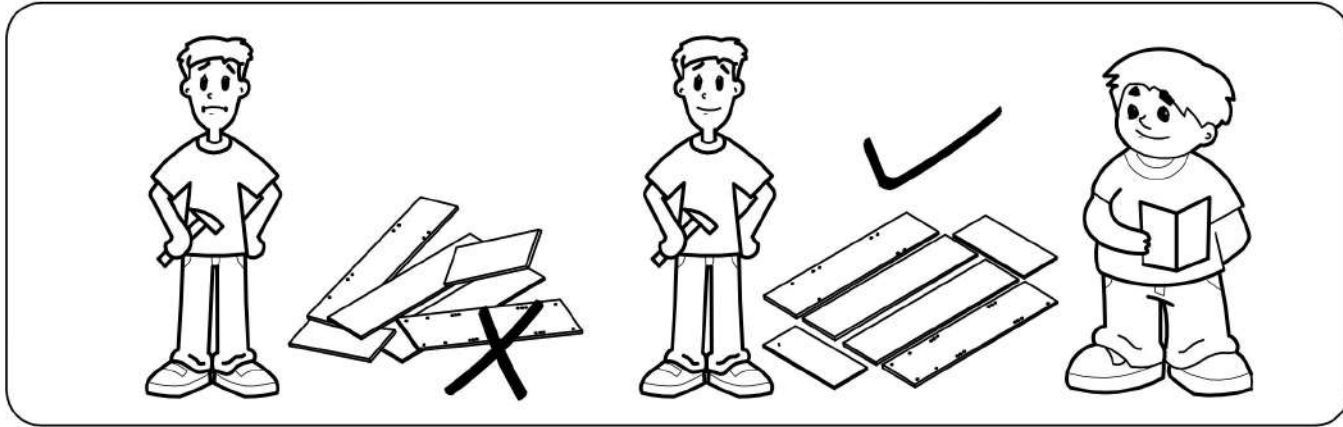
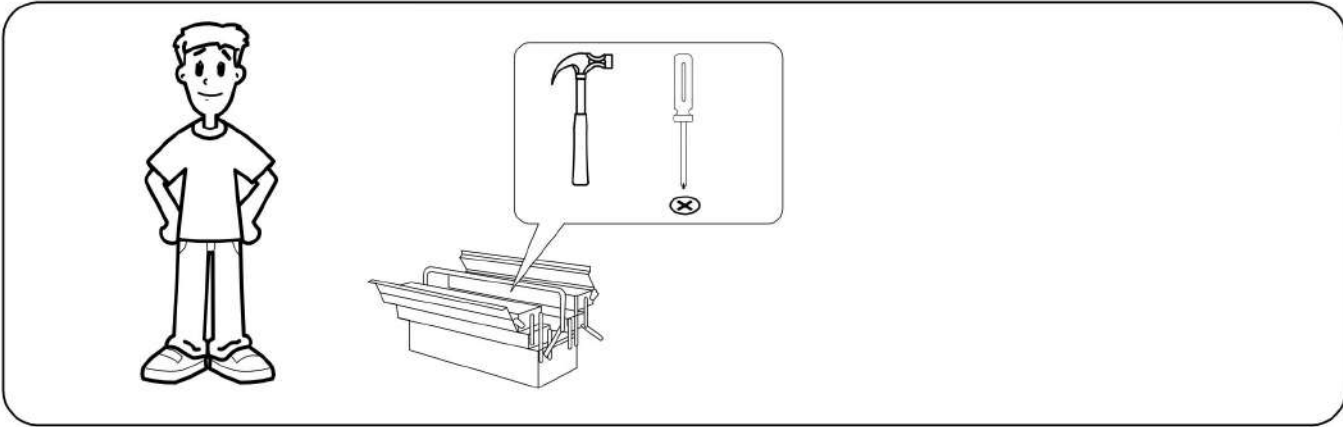
Before you start...

Please carefully unpack and lay out all of the component parts to ensure nothing is missing and to check each component for any obvious damage.

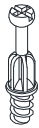
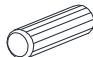




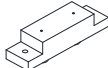


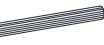







Should you identify any concerns at this stage please contact the retailer from whom this product was purchased. Please quote your order number, details of your issue, the product code, and the batch number from the cartons which will help to resolve your issue as quickly as possible.

Version number - 1.0

Product Code - ING005



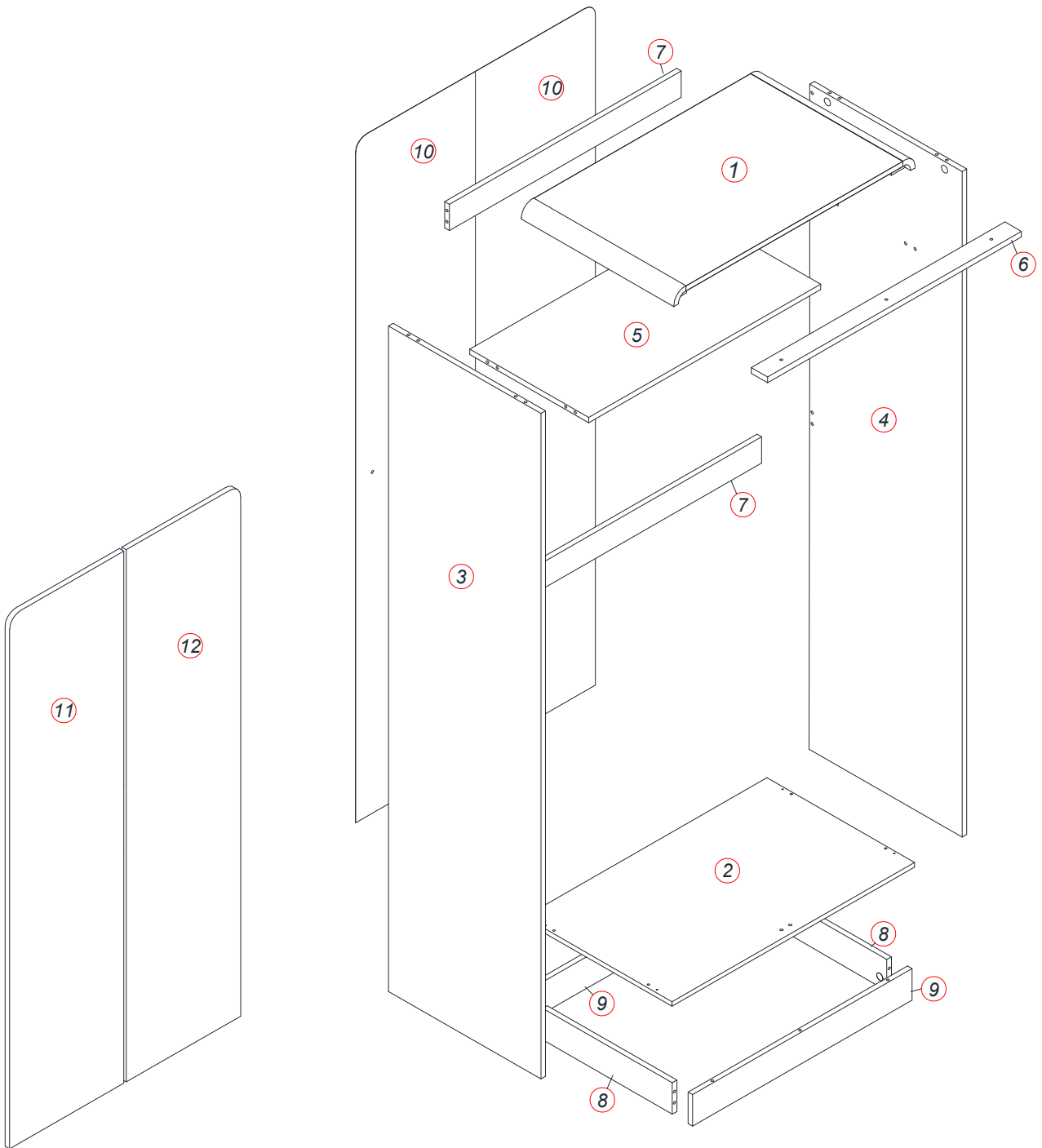
Please check all hardware matches the list below. Should you notice any are missing please contact your retailer.

	A	B	C	D	E
					
18x	Ø15x13.5 18x	8x30mm 28x	6x50mm 8x	1x	
	F	G	H	I	J
					
8x	6x	30x	15mm 1x	3.5x12mm 4x	
	K	L	M	N	O
					
3.5x16mm 48x	4x25mm 3x	3.5x16mm 4x	1894mm 1x	SJ PV 7/8 8x	
	P	Q	R	S	T
					
864mm 1x	SV 43 2x	4x	2x	M4 x 22mm 2x	
	U	V	W	X	
					
1x	4x38mm 1x	1x	3.5x16mm 1x		

We strongly advise that you do not use Power Tools, such as drills or electric screwdrivers during the assembly as this may cause irreparable damage and will invalidate your warranty.



PARTS



Please ensure you carefully check all the pieces, should you have any concerns please contact the retailer before assembly commences. Please have your order number, details of the issue, the product code, and the batch number from the cartons as this will help us to resolve your issue much faster.

ASSEMBLY ADVICE

Please take the time to carefully read through these instructions before you commence.

Keep these instructions for future reference.

We advise that the product is assembled in the room it is intended for.

We advise that you keep the hardware in a bowl during assembly to avoid losing anything.

Small component parts could choke a child if swallowed.

We recommend you use a sheet or blanket to protect both floor and product through the assembly stages.

This product is heavy, and we recommend a 2 person lift to avoid personal injury or damage to the product.

Never push or pull the product as this could cause both personal injury or irreparable damage to product or floor.

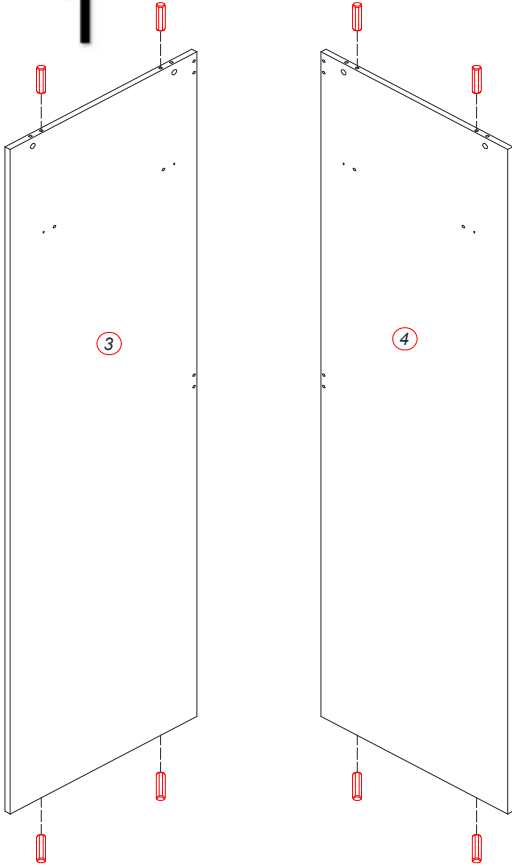
We have tried to make this piece of furniture easy to assemble if the instructions are followed carefully.

In the unlikely event that you have problems with assembling the product or have missing or damaged parts, please contact your retailer and we will assist them in rectifying the problem as quickly as possible.

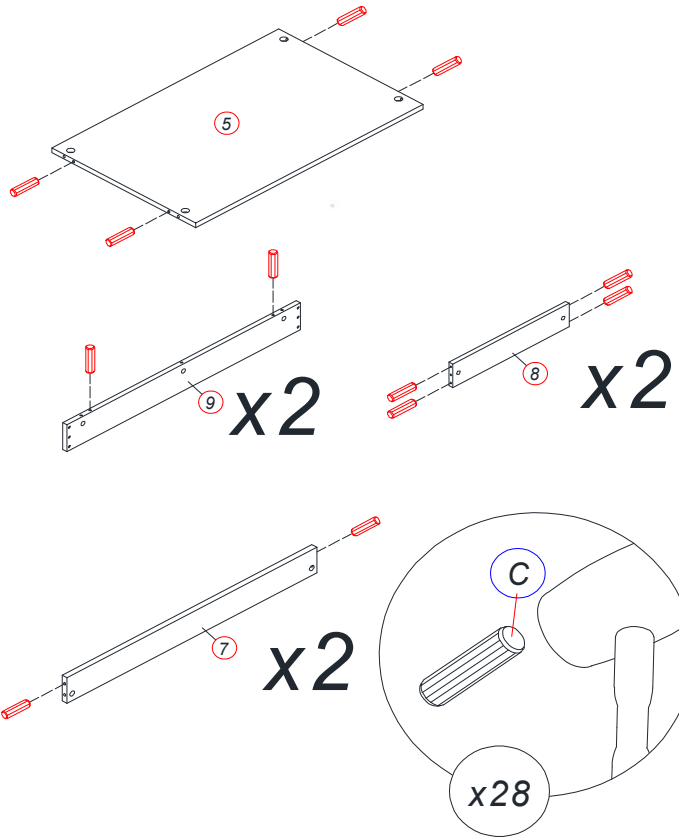
Please remember we strongly urge you **DO NOT** use power tools such as drill or electric screwdrivers as this could cause irreparable damage to your product and will invalidate your warranty.



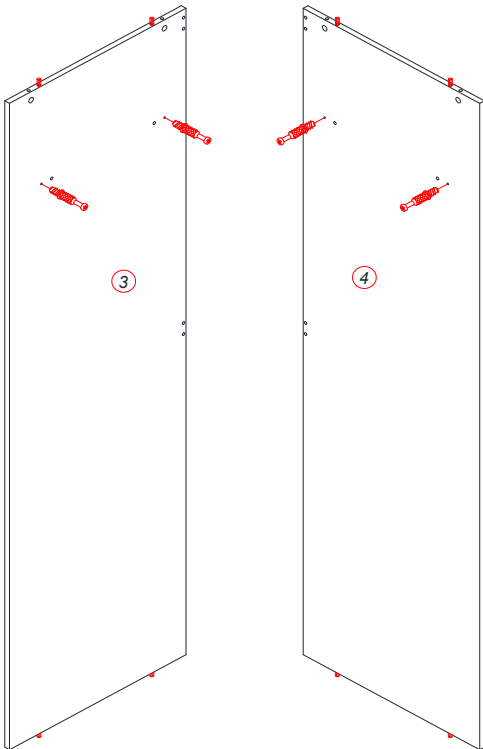
1



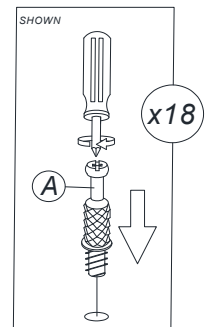
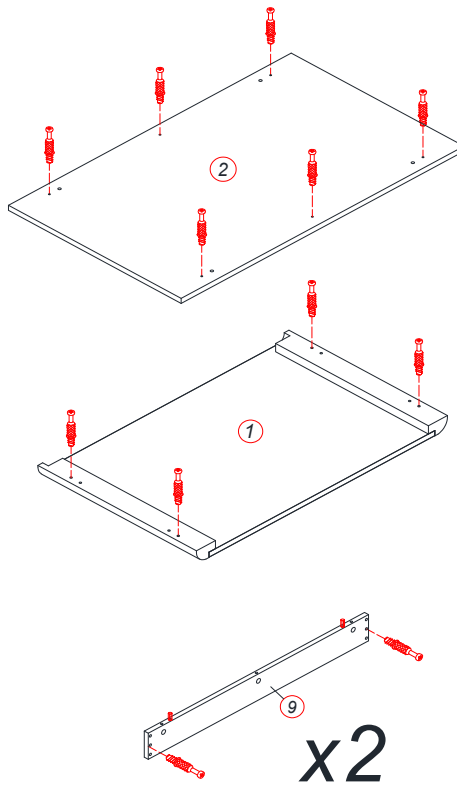
C	WOOD DOWEL 8 X 30 MM	28
---	-------------------------	----



2

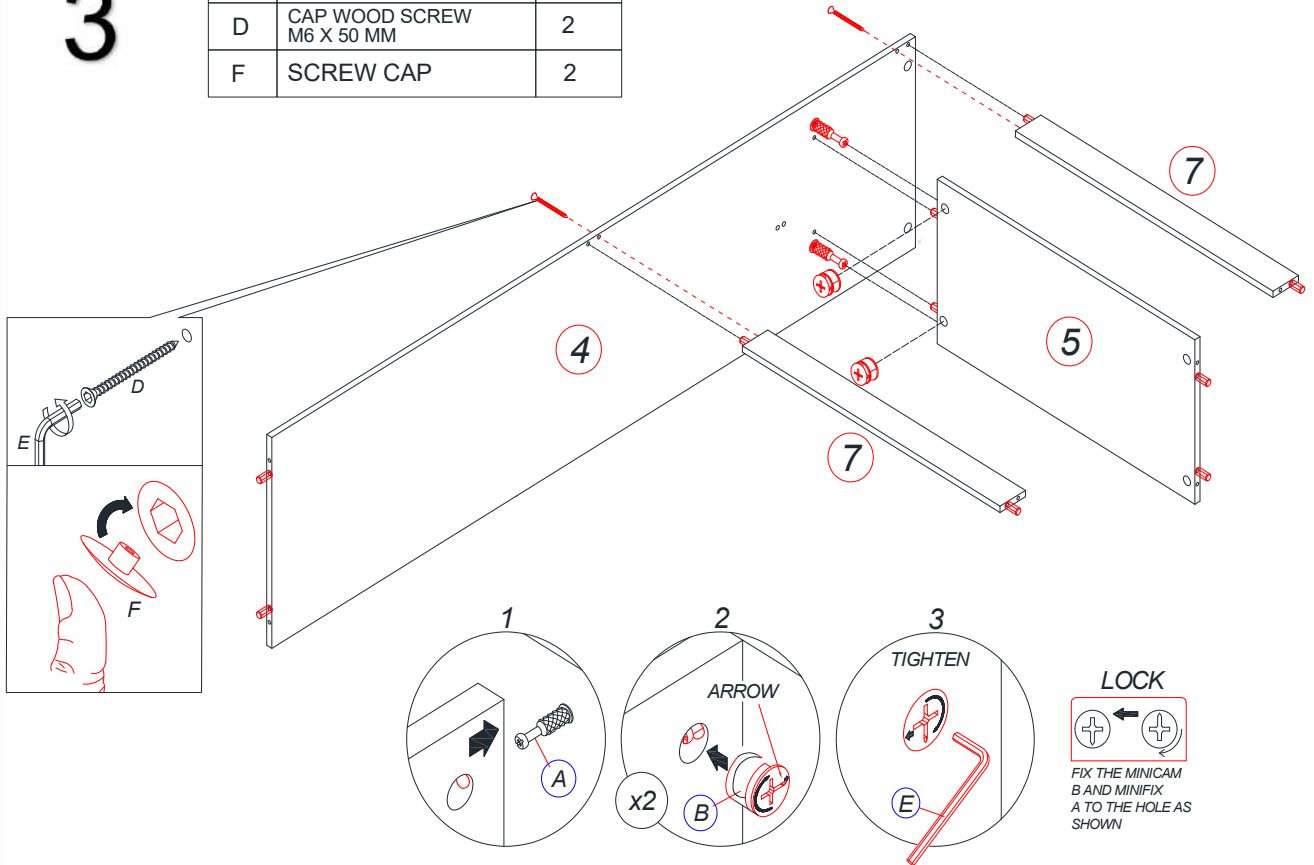


A	MINIFIX 16MM	18
---	--------------	----



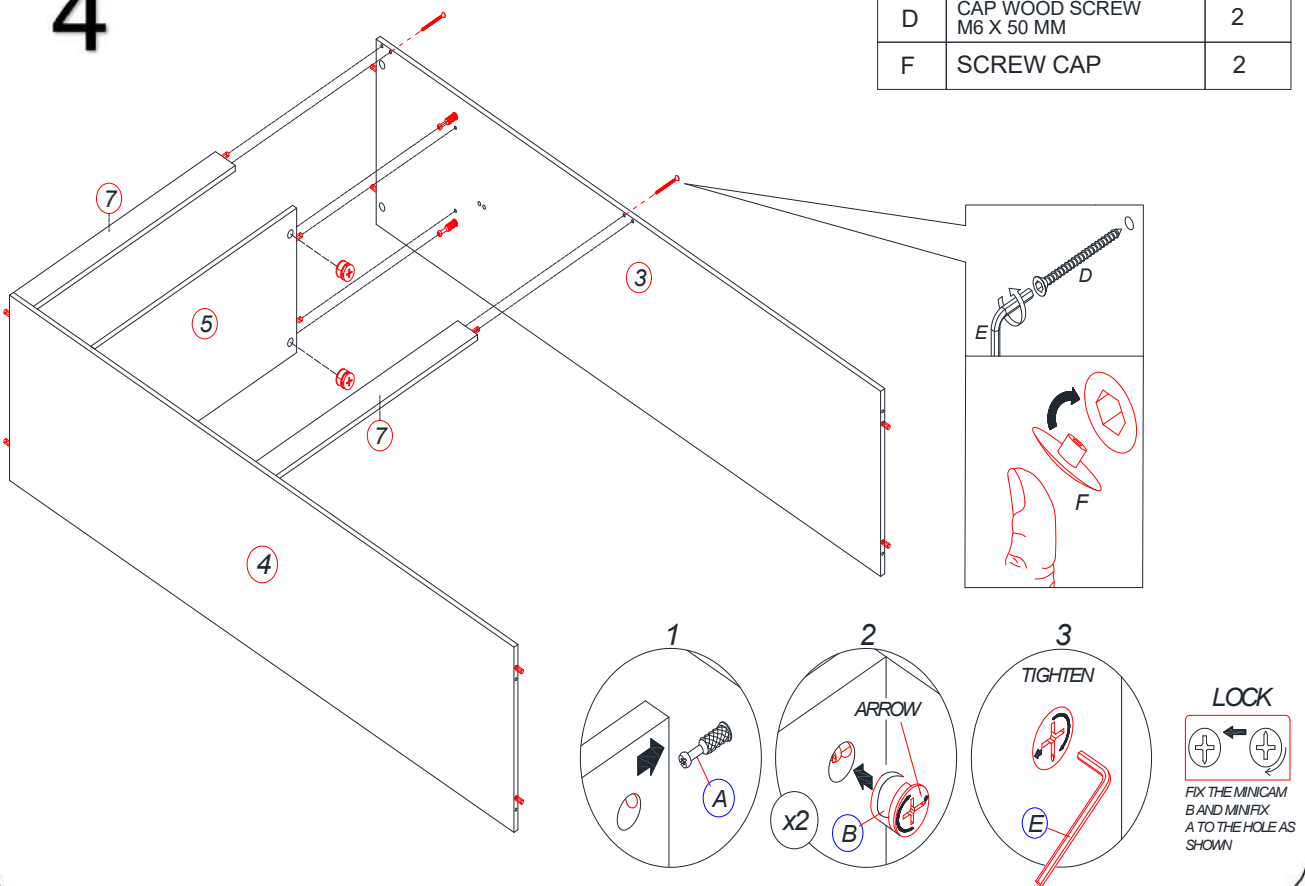
3

B	MINICAM 16MM	2
D	CAP WOOD SCREW M6 X 50 MM	2
F	SCREW CAP	2



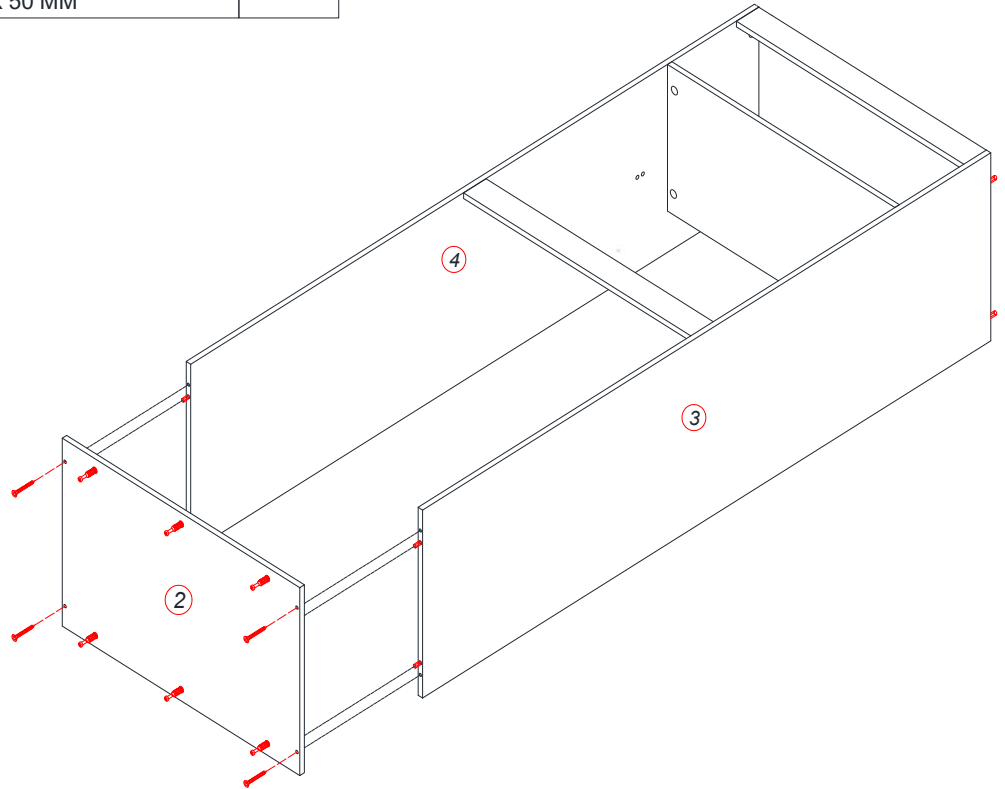
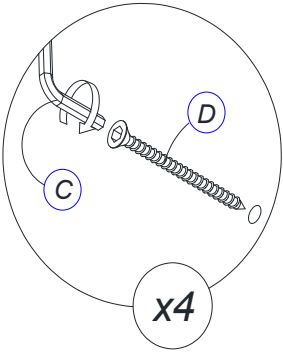
4

B	MINICAM 16MM	2
D	CAP WOOD SCREW M6 X 50 MM	2
F	SCREW CAP	2



5

D	CAP WOOD SCREW M6 X 50 MM	4
---	------------------------------	---

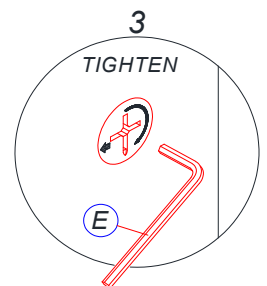
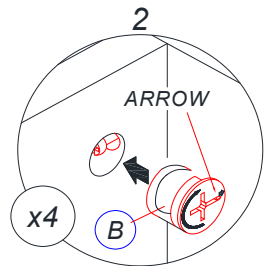
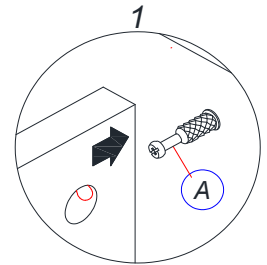
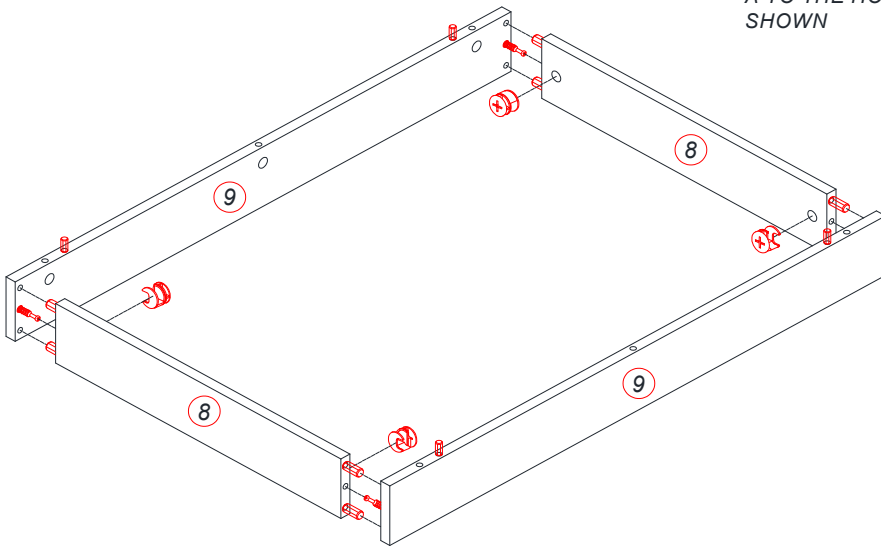


6

B	MINICAM 16MM	4
---	--------------	---

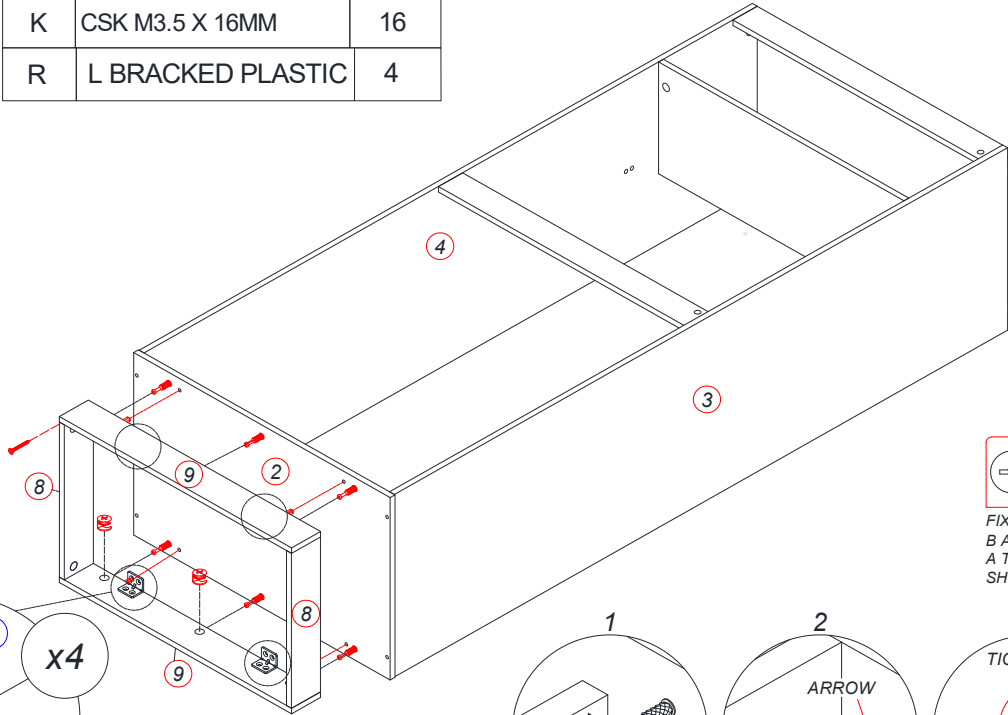
LOCK

*FIX THE MINICAM
B AND MINIFIX
A TO THE HOLE AS
SHOWN*



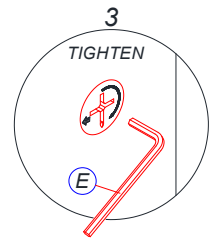
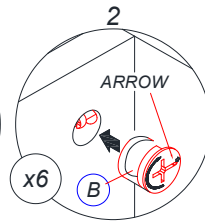
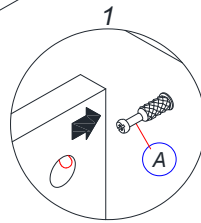
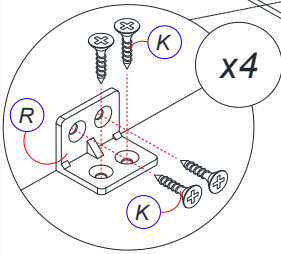
7

B	MINICAM 16MM	6
K	CSK M3.5 X 16MM	16
R	L BRACKED PLASTIC	4



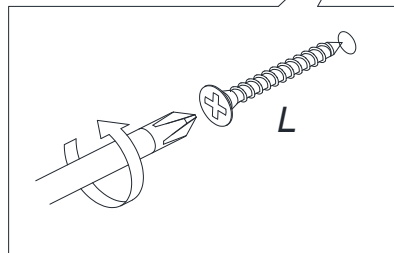
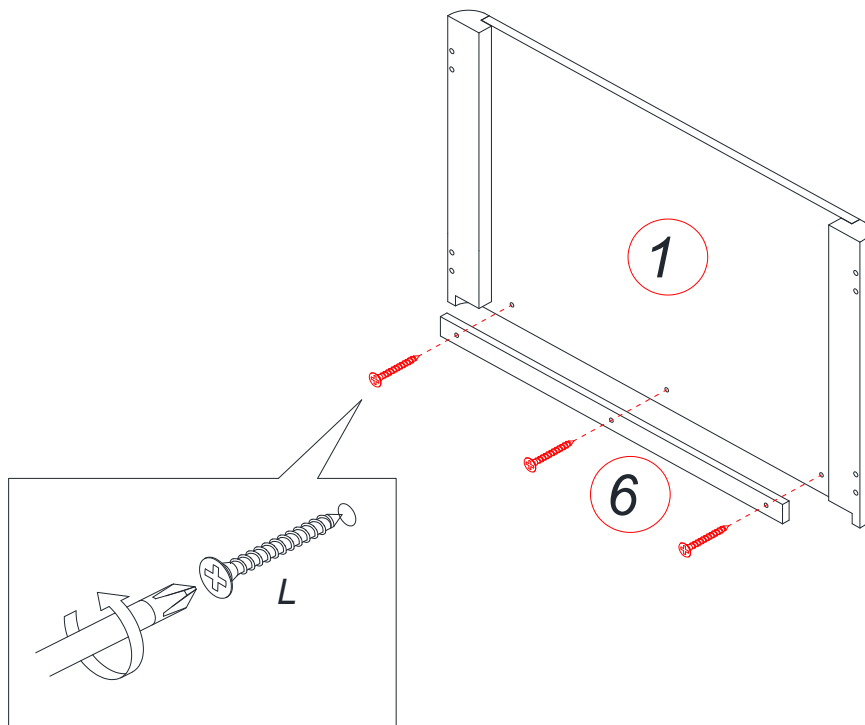
LOCK

FIX THE MINICAM B AND MINIFIX A TO THE HOLE AS SHOWN



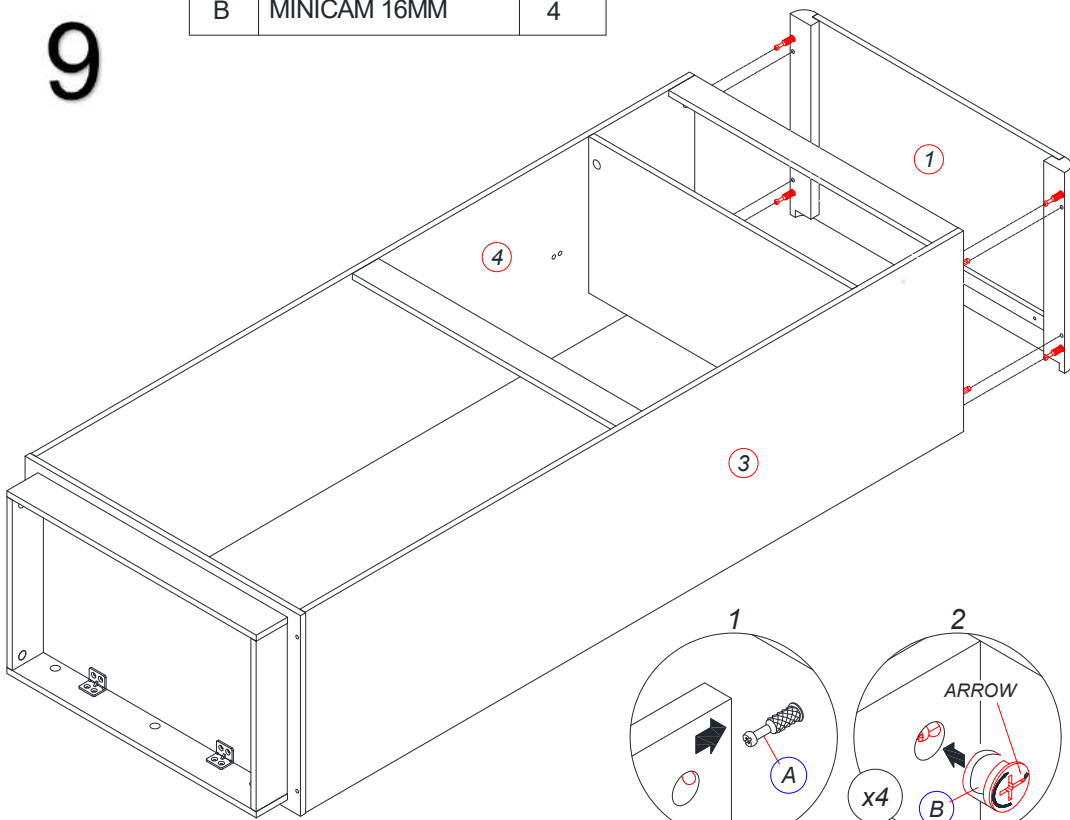
8

L	CSK M4 X25MM	3
---	--------------	---



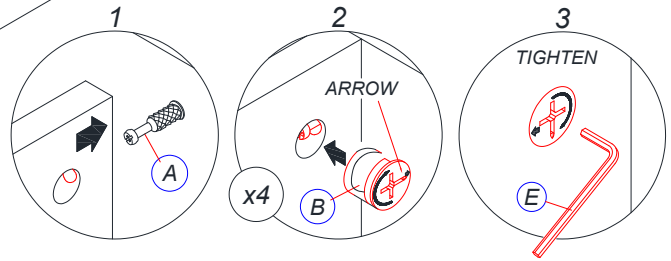
9

B	MINICAM 16MM	4
---	--------------	---



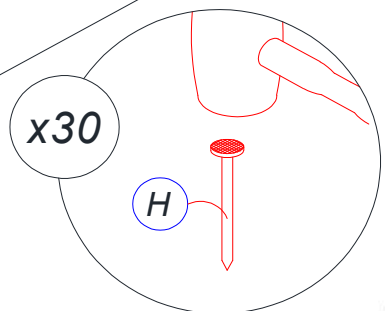
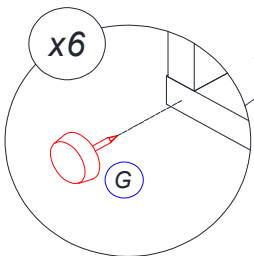
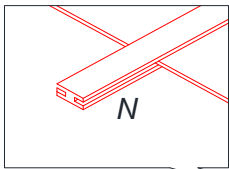
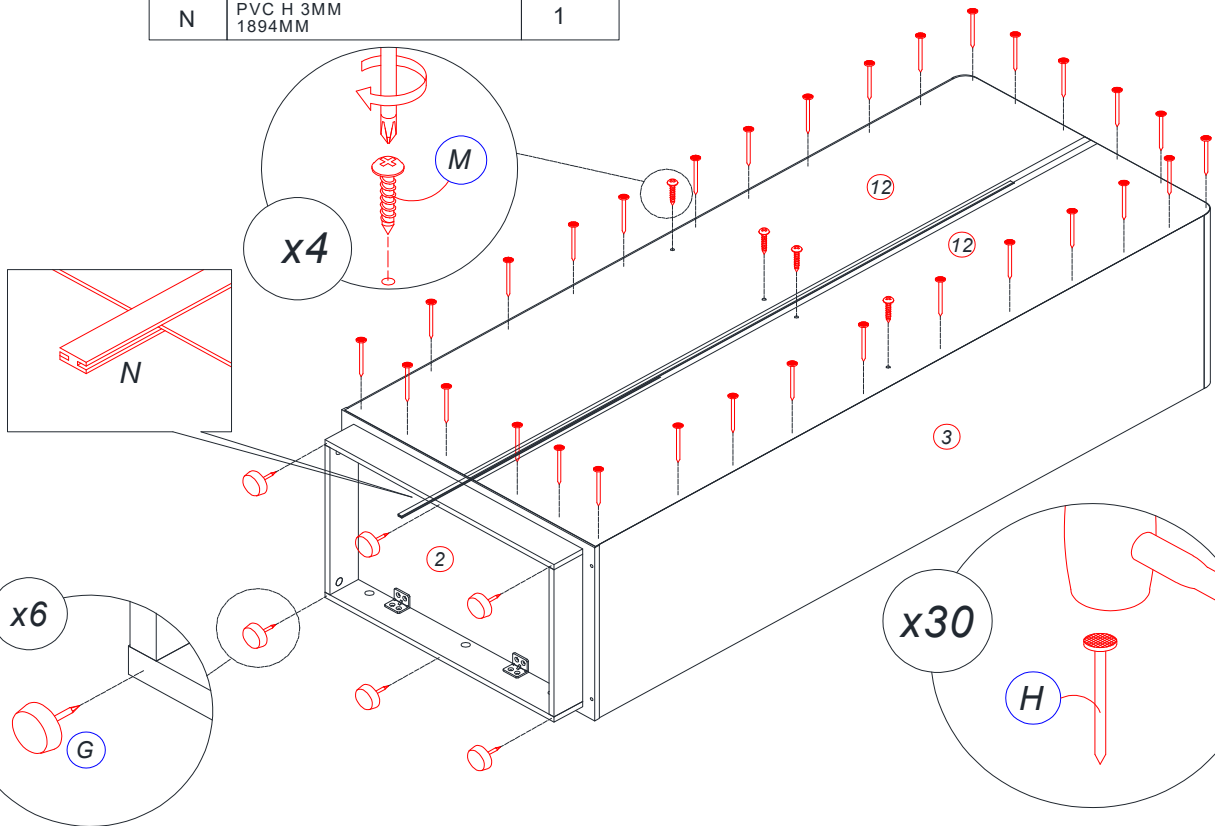
LOCK

FIX THE MINICAM B AND MINIFIX A TO THE HOLE AS SHOWN



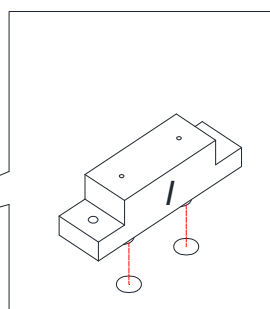
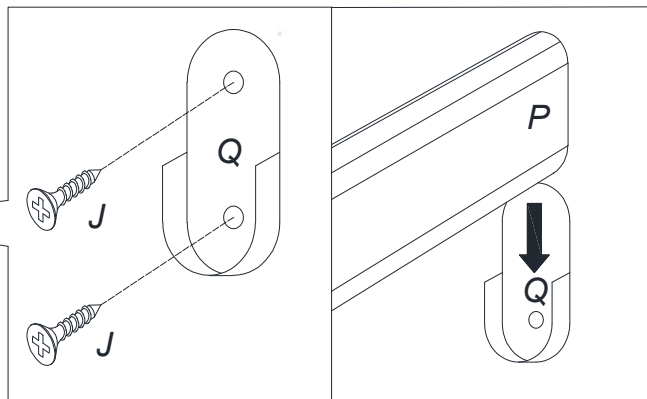
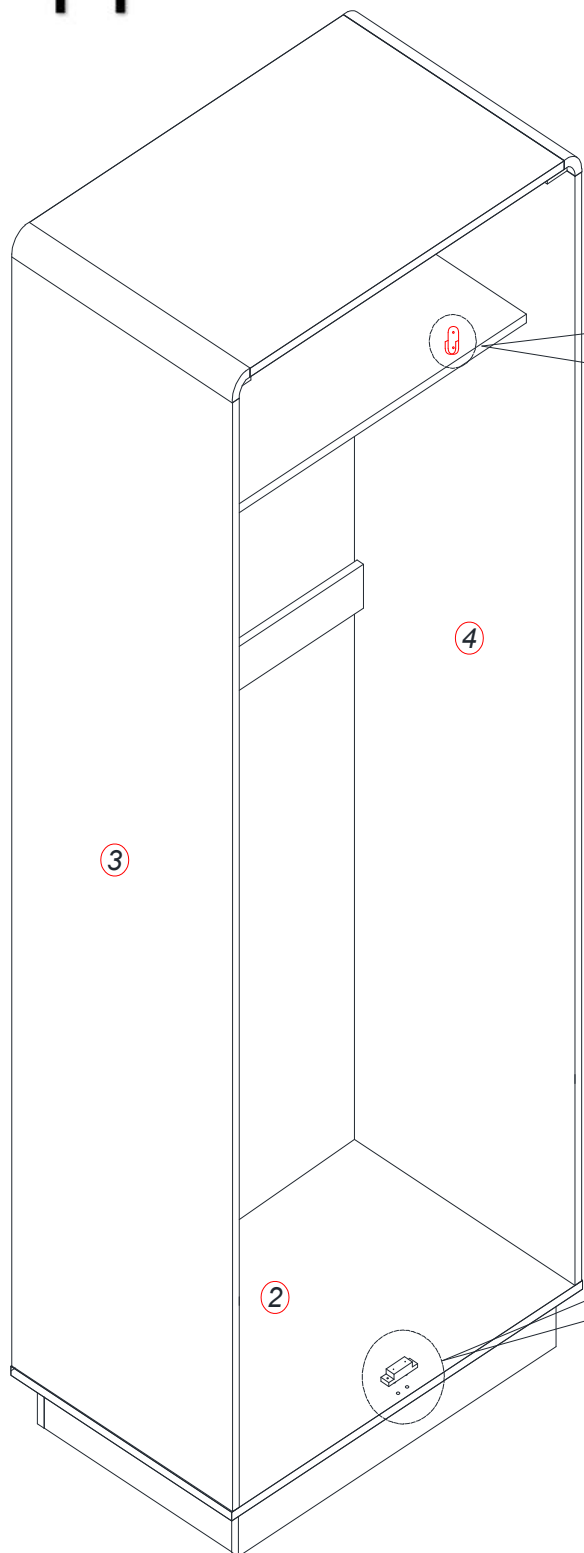
10

G	NAIL LEG 5/8	6
H	NAIL	30
M	PAN HEAD SCREW M3.5 X 16 MM	4
N	PVC H 3MM 1894MM	1



11

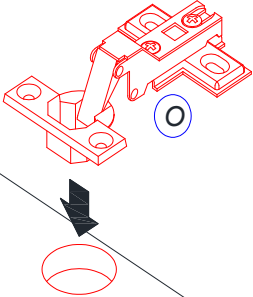
I	PLASTIC STOPPER 15MM	1
J	CSK M3 X 12MM	4
P	OVAL PIPE - 864mm	1
Q	SV 43	2



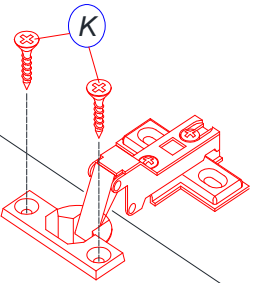
12

K	CSK M3.5 X 16MM	32
O	HINGES SJ 9V 7/8	8
S	PLASTIC HANDLE - GOLD	2
T	HANDLE SCREW M3.5 X 24MM	2

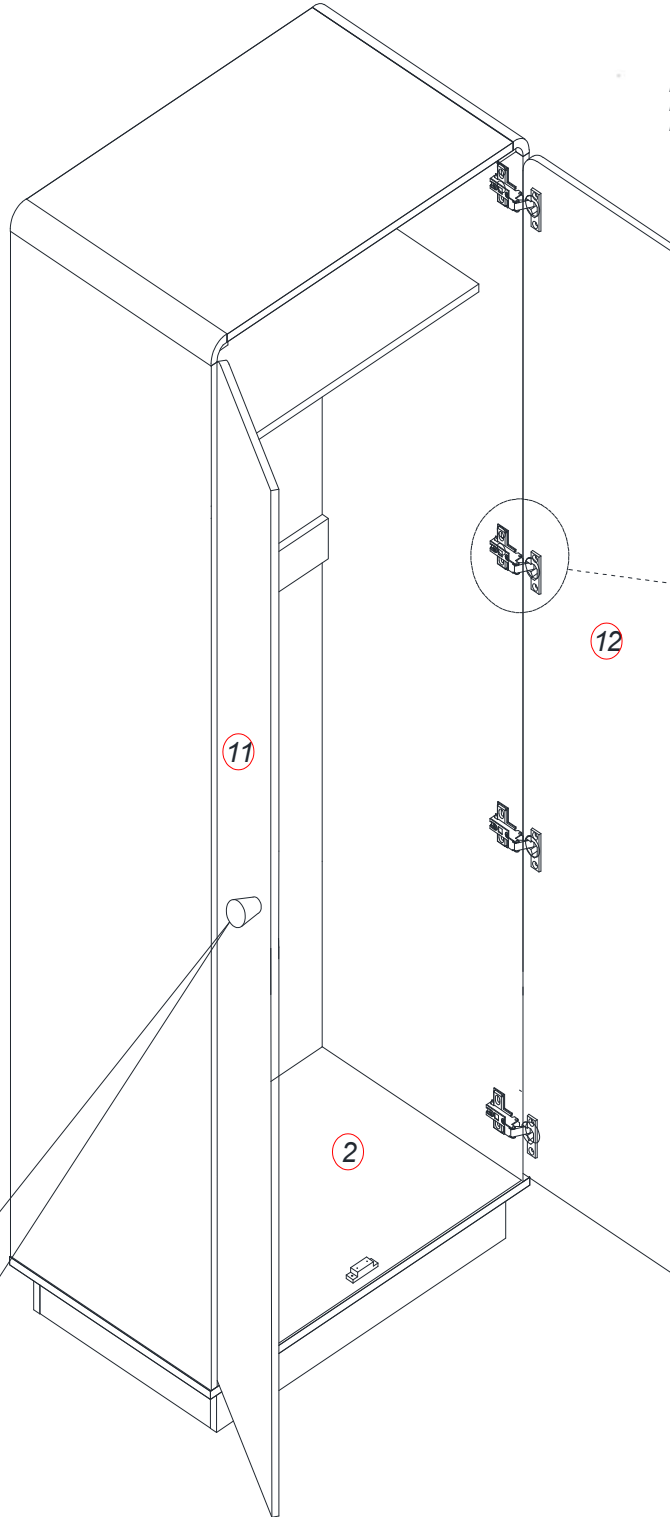
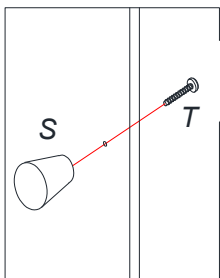
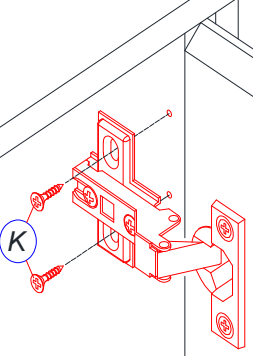
STEP 1



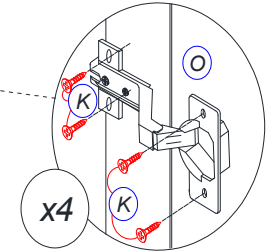
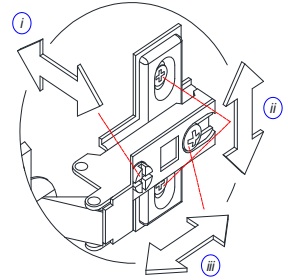
STEP 2



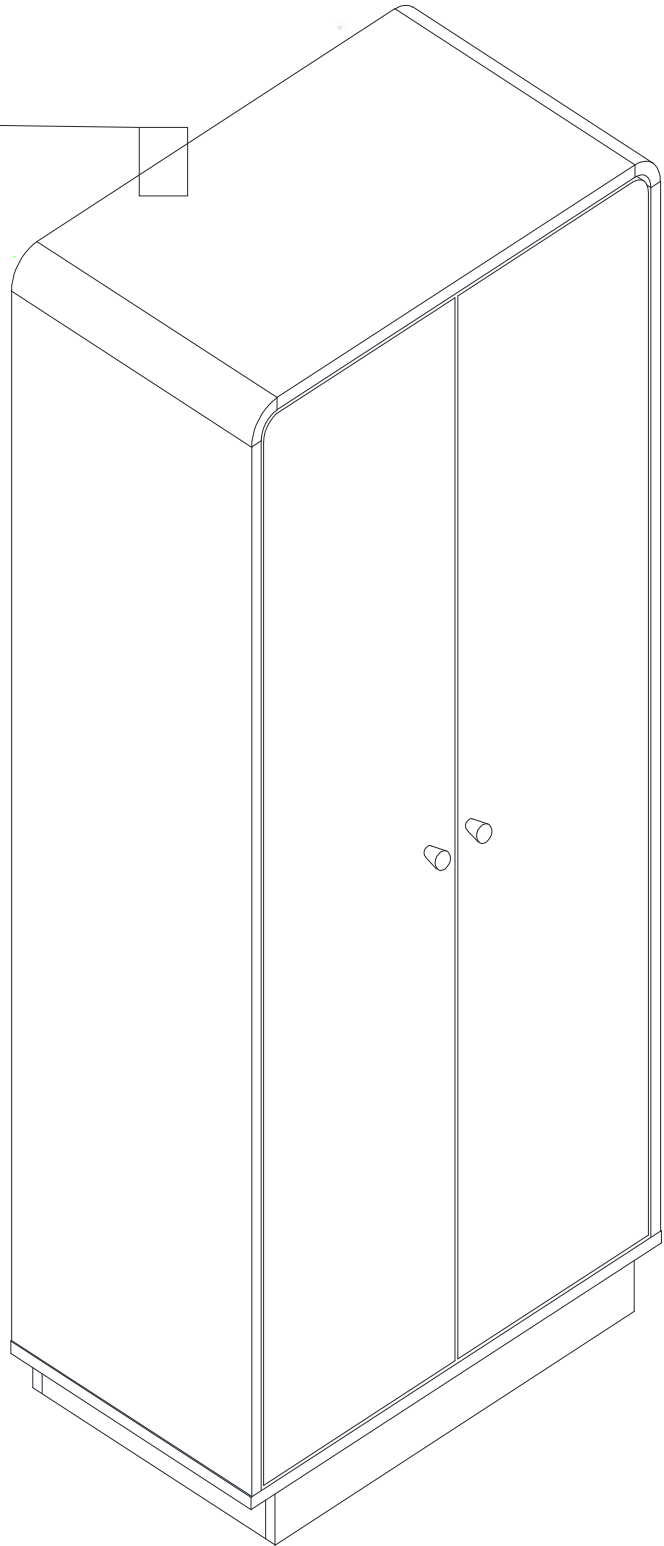
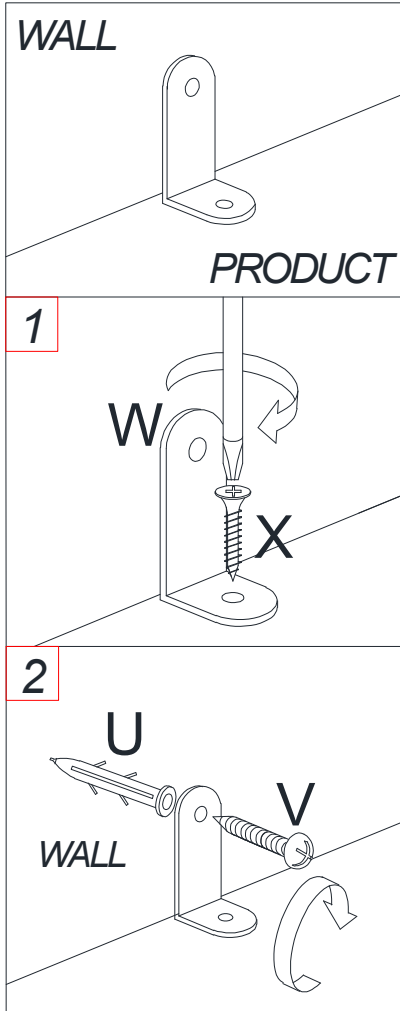
STEP 3



- i) ADJUST FOR BALANCE LEFT & RIGHT.
- ii) ADJUST FOR UP & DOWN.
- iii) ADJUST UNTIL BALANCE FOR FRONT & BACK.



13



ADDITIONAL SAFETY INFORMATION

WARNING: In order to prevent overturning the wall attachment must be used with this product.

In the interest of safety, particularly where small children are concerned, we advise securing your furniture to the wall to prevent the product tipping forward when loaded.

This product is heavy and could cause serious or fatal injury if not used or moved correctly.

The screw included in the fitting pack is only intended for fixing the safety strap to the piece of furniture.

Hardware to attach the strap/s to the wall are NOT INCLUDED. Use fixing devices suitable for the walls in your home (not included). If you are unsure what type of fixings to use, please seek further advice from your local DIY store.

GENERAL CARE & MAINTENANCE

We advise that when cleaning the product that a damp cloth is used.

Avoid the use of all household cleaners and abrasive.

Never push or drag the furniture.

Never attempt to move the furniture when fully loaded.

We advise that periodically all fixing are re-tightened.

JULIAN BOWEN

Bentinck House, Park Lane Business Park, Kirkby-in-Ashfield, Notts NG17 9LE
Tel: (01623) 727374 Fax: (01623) 754555 Email: sales@julian-bowen.co.uk Web:julian-bowen.co.uk

EN:

In compliance with the EU General Product Safety Regulation (2023), Julian Bowen Limited has authorised the person named below to perform the tasks specified in the Regulation.

Name: Aris Christos Botsios Engineering Office
Address: V. Botsiou 3 Street, Eleousa, Ioannina, 45500, Greece
Email: acsbotsios82@gmail.com
Telephone: 00302651063075 (landline)

DE:

In Übereinstimmung mit der EU-Verordnung über die allgemeine Produktsicherheit (2023) hat Julian Bowen Limited die unten genannte person ermächtigt, die in der Verordnung genannten Aufgaben wahrzunehmen.

Name: Aris Christos Botsios Ingenieurbüro
Adresse: V. Botsiou 3, Eleousa, Ioannina, 45500, Griechenland
E-Mail: acsbotsios82@gmail.com
Telefon: 00302651063075 (festnetz)

IT:

In conformità con il Regolamento Generale Sulla Sicurezza dei Prodotti dell'UE (2023), Julian Bowen Limited ha autorizzato la persona indicata di seguito a svolgere i compiti specificati nel Regolamento.

Nome: Aris Christos Botsios Ufficio tecnico
Indirizzo: V. Botsiou 3, Eleousa, Ioannina, 45500, Grecia
Email: acsbotsios82@gmail.com
Telefono: 00302651063075 (linea fissa)

FR:

Conformément au règlement de l'UE sur la Sécurité Générale des Produits (2023), Julian Bowen Limited a autorisé la personne nommée ci-dessous à effectuer les tâches spécifiées dans le règlement.

Nom: Aris Christos Botsios Bureau d'études
Adresse: V. Botsiou, Eleousa, Ioannina, 45500, Grèce
Courriel: acsbotsios82@gmail.com
Téléphone: 00302651063075 (ligne fixe)

ES:

En cumplimiento del Reglamento de la UE relativo a La Seguridad General de Los Productos (2023), Julian Bowen Limited ha autorizado a la persona nombrada a continuación a realizar las tareas especificadas en el Reglamento.

Nombre: Aris Christos Botsios Oficina de Ingeniería
Dirección: V. Botsiou 3, Eleousa, Ioannina, 45500, Grecia
Correo electrónico: acsbotsios82@gmail.com
Teléfono: 00302651063075 (teléfono fijo)

SE:

I enlighet med EU förordning om allmän produktsäkerhet (2023) har Julian Bowen Limited bemyndigat den person som anges nedan att utföra de uppgifter som anges i förordningen.

Namn: Aris Christos Botsios Ingenjörbyrå
Adress: V. Botsiou 3 Street, Eleousa, Ioannina, 45500, Grekland
E-post: acsbotsios82@gmail.com
Telefon: 00302651063075 (fast telefon)

NL:

In overeenstemming met de EU-verordening inzake algemene productveiligheid (2023) heeft Julian Bowen Limited de hieronder vermelde persoon gemachtigd om de in de verordening gespecificeerde taken uit te voeren.

Naam: Aris Christos Botsios Ingenieursbureau
Adres: V. Botsiou 3 Street, Eleousa, Ioannina, 45500, Griekenland
E-mail: acsbotsios82@gmail.com
Telefoon: 00302651063075 (vaste lijn)