

ASSEMBLY INSTRUCTIONS

Wine Cabinet

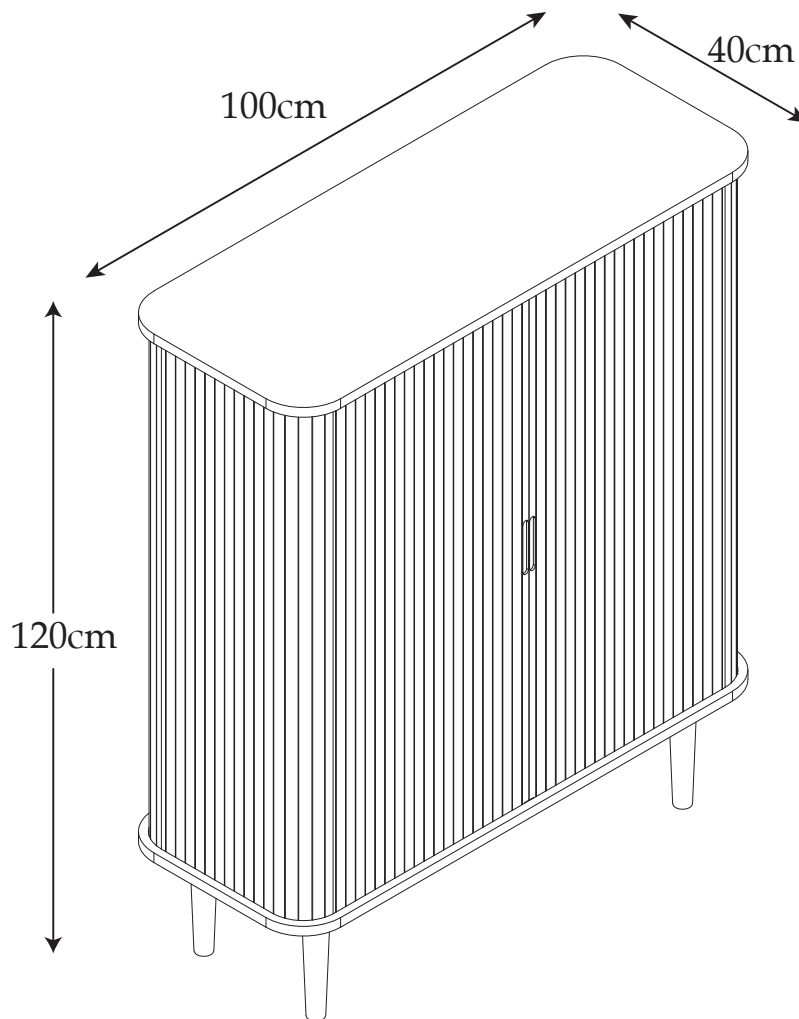
Approximate Assembly Time



People Required to Assemble



Tools Required



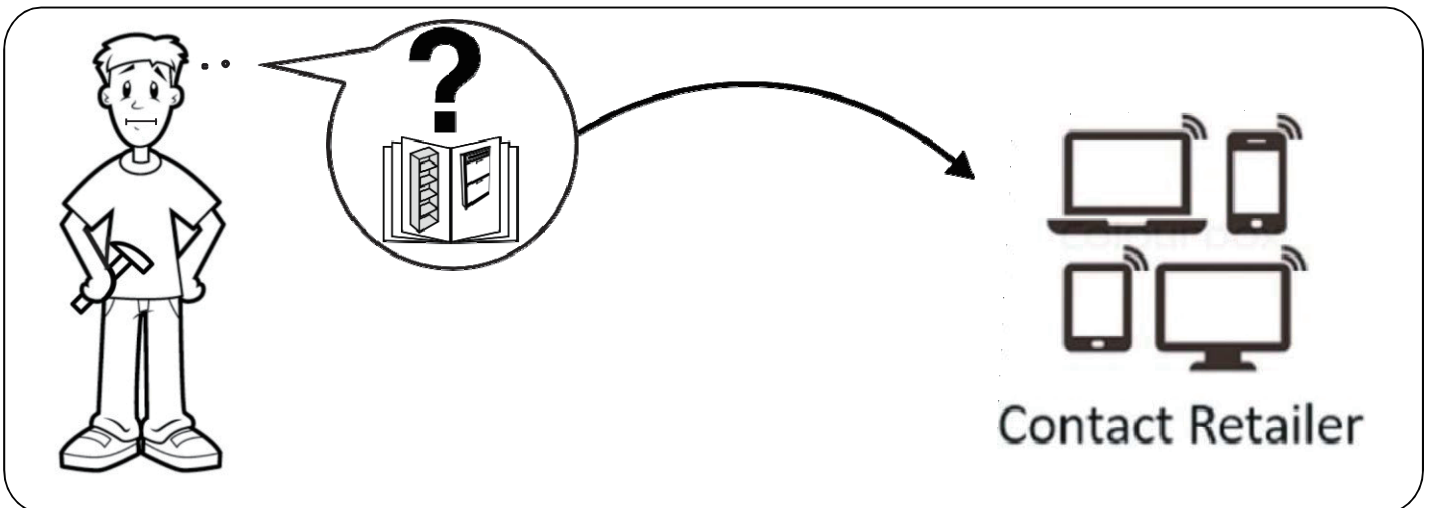
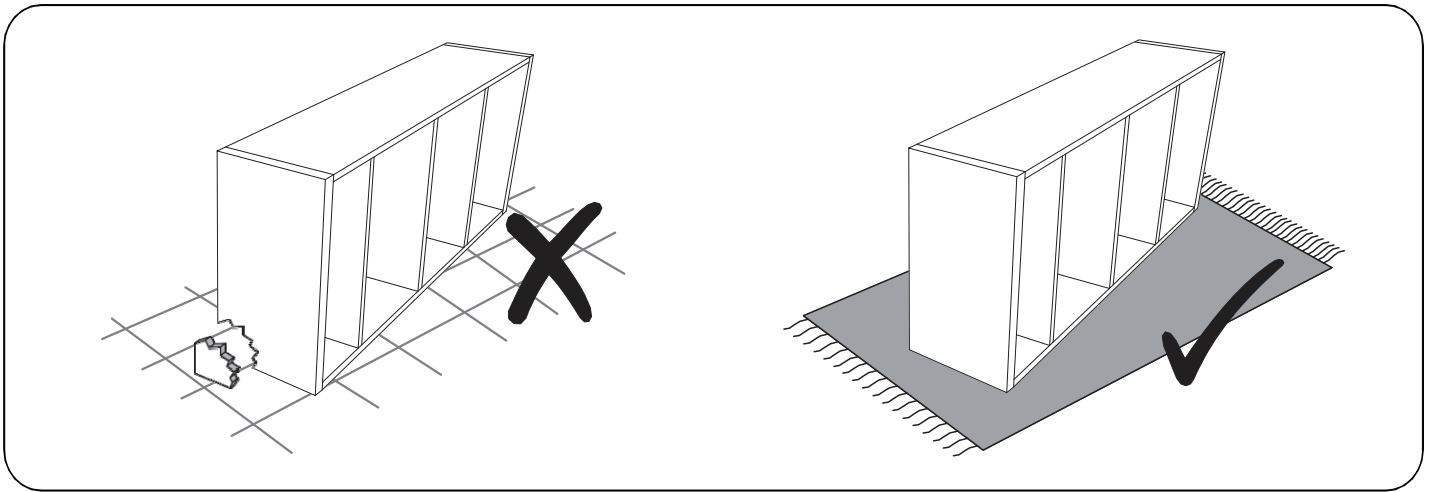
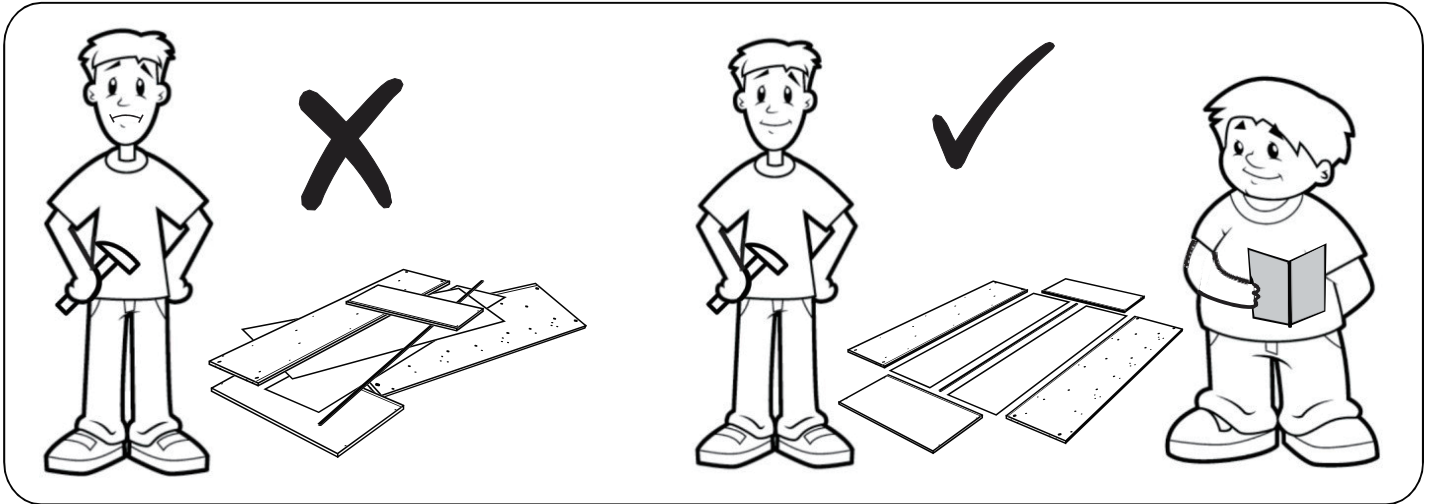
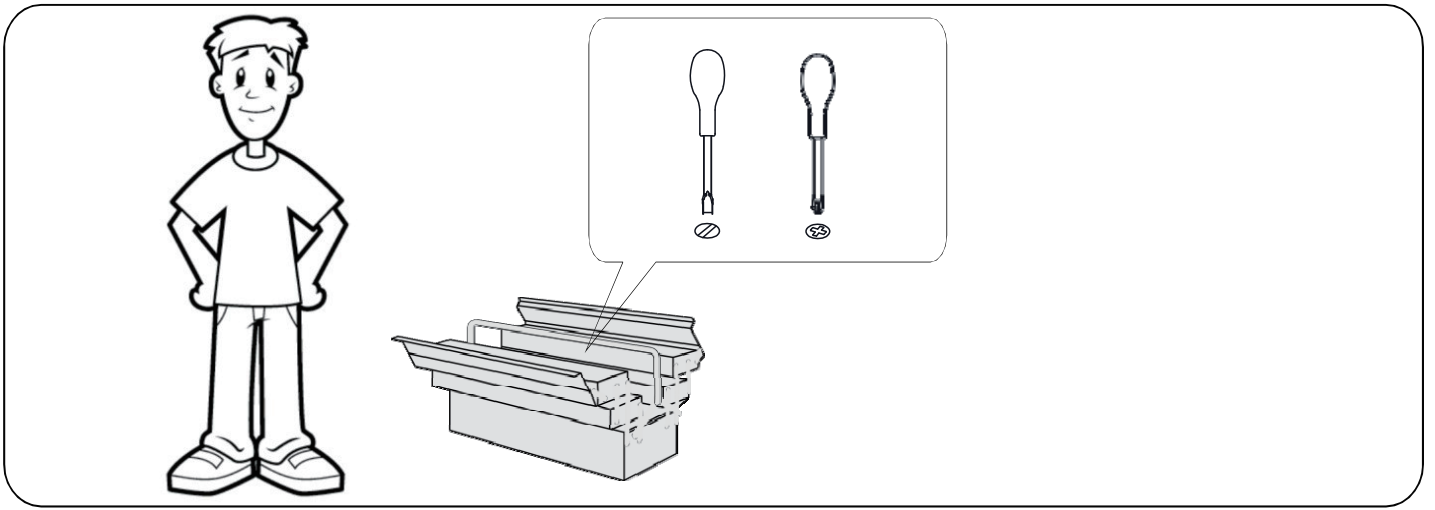
Before you start...

Please carefully unpack and lay out all of the component parts to ensure nothing is missing and to check each component for any obvious damage.

Should you identify any concerns at this stage please contact the retailer from whom this product was purchased. Please quote your order number, details of your issue, the product code, and the batch number from the cartons which will help to resolve your issue as quickly as possible.

Version Number-1.0

Product Code - ARY007



Please check all hardware matches the list below. Should you notice any are missing please contact your retailer.

A

Ø6x34mm



38x

B

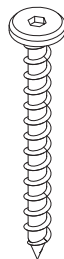
Ø15x9mm



38x

C

M6x40mm



16x

D

M6x15mm



16x

E

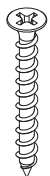
Ø8x30mm



39x

F

Ø4.0x35mm



8x

G

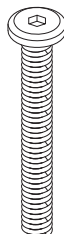
Ø4.0x15mm



4x

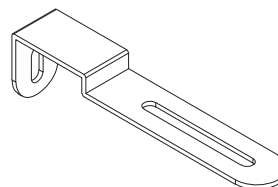
H

M6x40mm



4x

I



2x

J

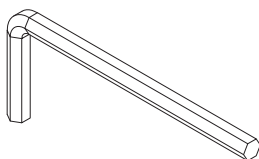
Ø25



4x

K

M4



1x

L

Ø3.5x15mm



6x

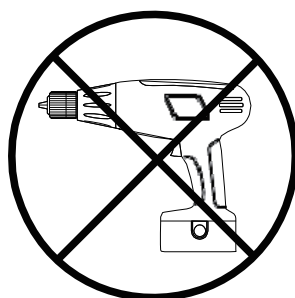
M

Ø18

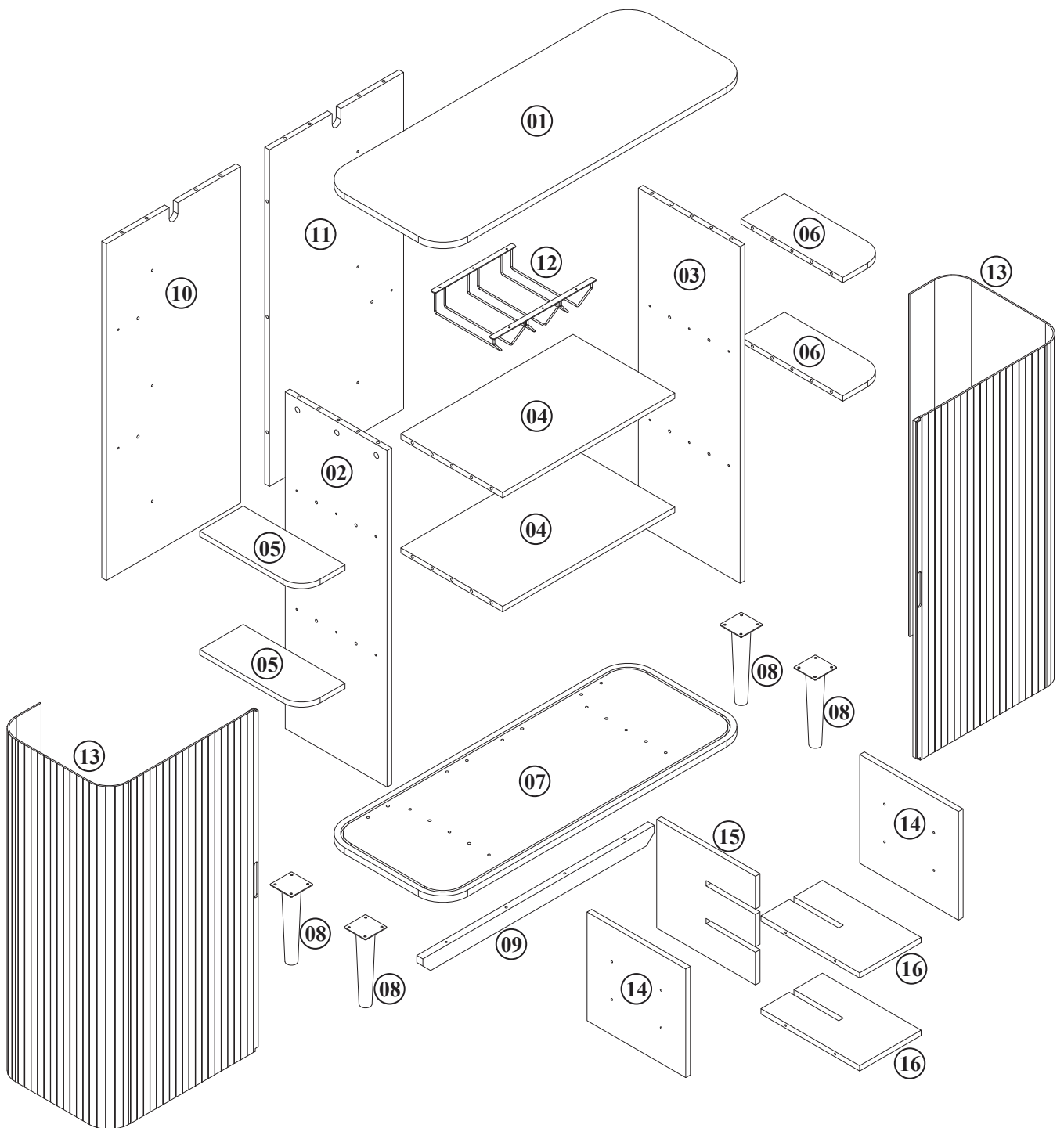


46x

We strongly advise that you do not use Power Tools, such as drills or electric screwdrivers during the assembly as this may cause irreparable damage and will invalidate your warranty.



PARTS



Please ensure you carefully check all the pieces, should you have any concerns please contact the retailer before assembly commences. Please have your order number, details of the issue, the product code, and the batch number from the cartons as this will help us to resolve your issue much faster.

ASSEMBLY ADVICE

Please take the time to carefully read through these instructions before you commence.

Keep these instructions for future reference.

We advise that the product is assembled in the room it is intended for.

We advise that you keep the hardware in a bowl during assembly to avoid losing anything.

We strongly recommend that you keep children away from the work area.

Small component parts could choke a child if swallowed.

We recommend you use a sheet or blanket to protect both floor and product through the assembly stages.

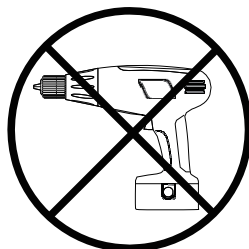
This product is heavy, and we recommend a 2 person lift to avoid personal injury or damage to the product.

Never push or pull the product as this could cause both personal injury or irreparable damage to product or floor.

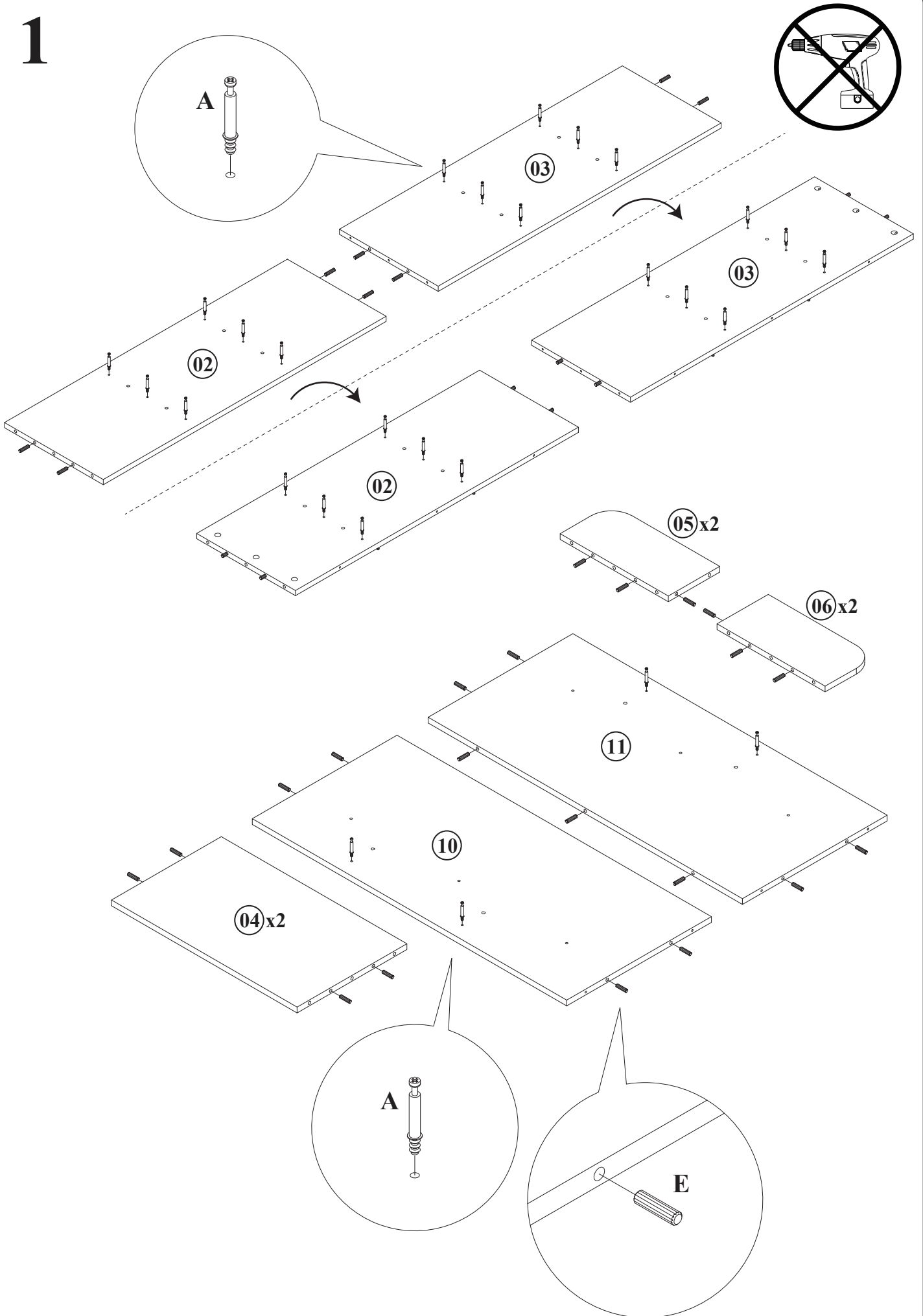
We have tried to make this piece of furniture easy to assemble if the instructions are followed carefully.

In the unlikely event that you have problems with assembling the product or have missing or damaged parts, please contact your retailer and we will assist them in rectifying the problem as quickly as possible.

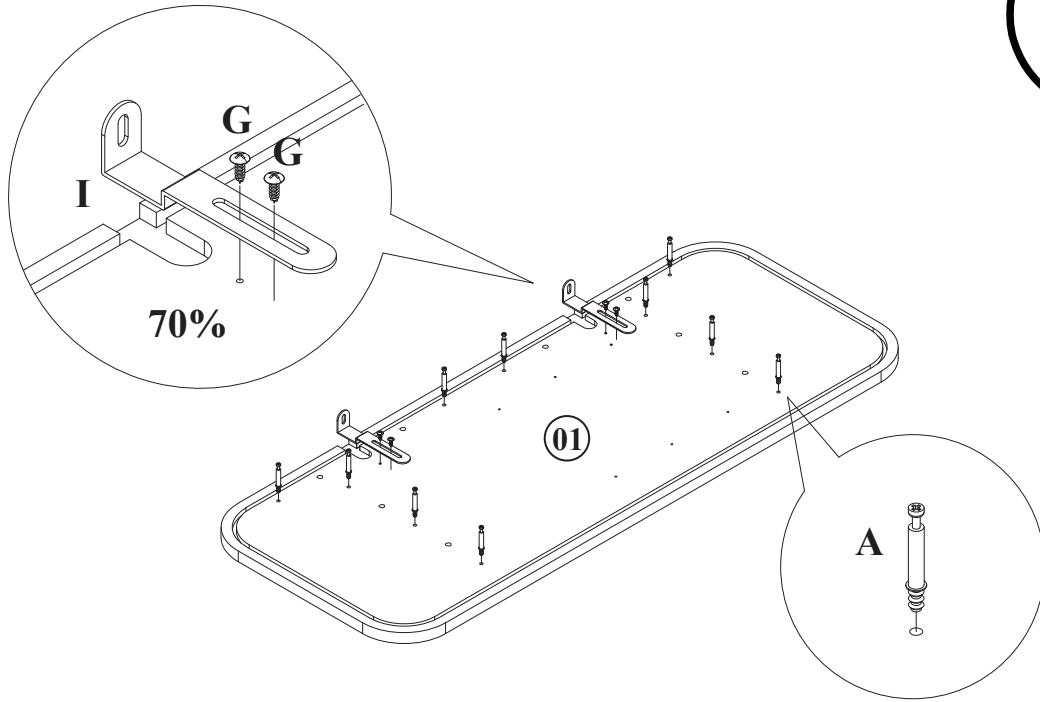
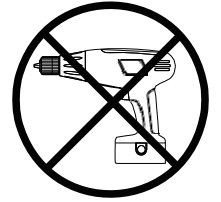
Please remember we strongly urge you **DO NOT** use power tools such as drill or electric screwdrivers as this could cause irreparable damage to your product and will invalidate your warranty.



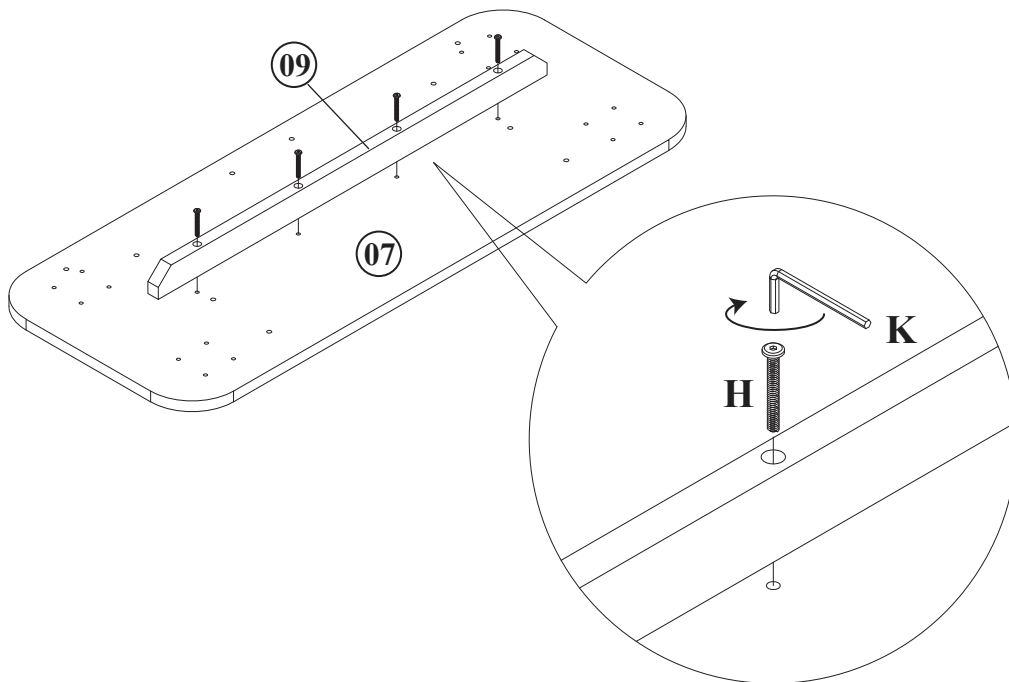
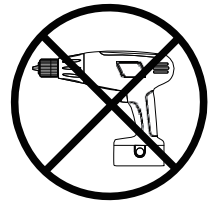
1



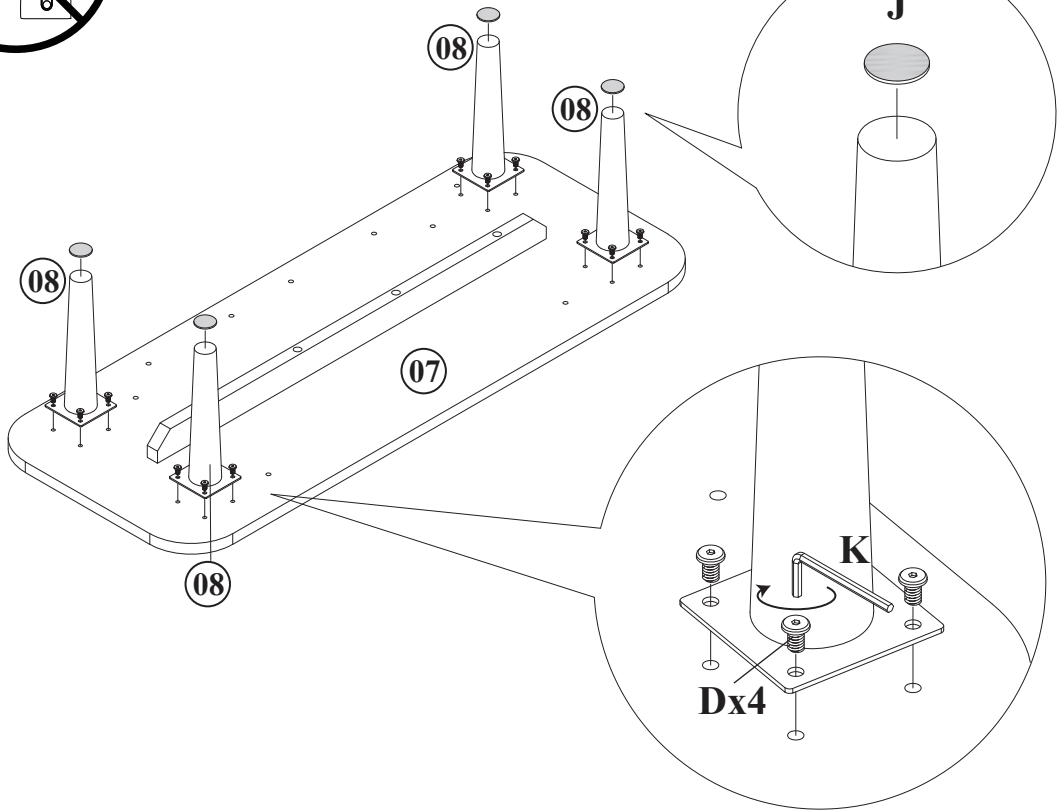
2



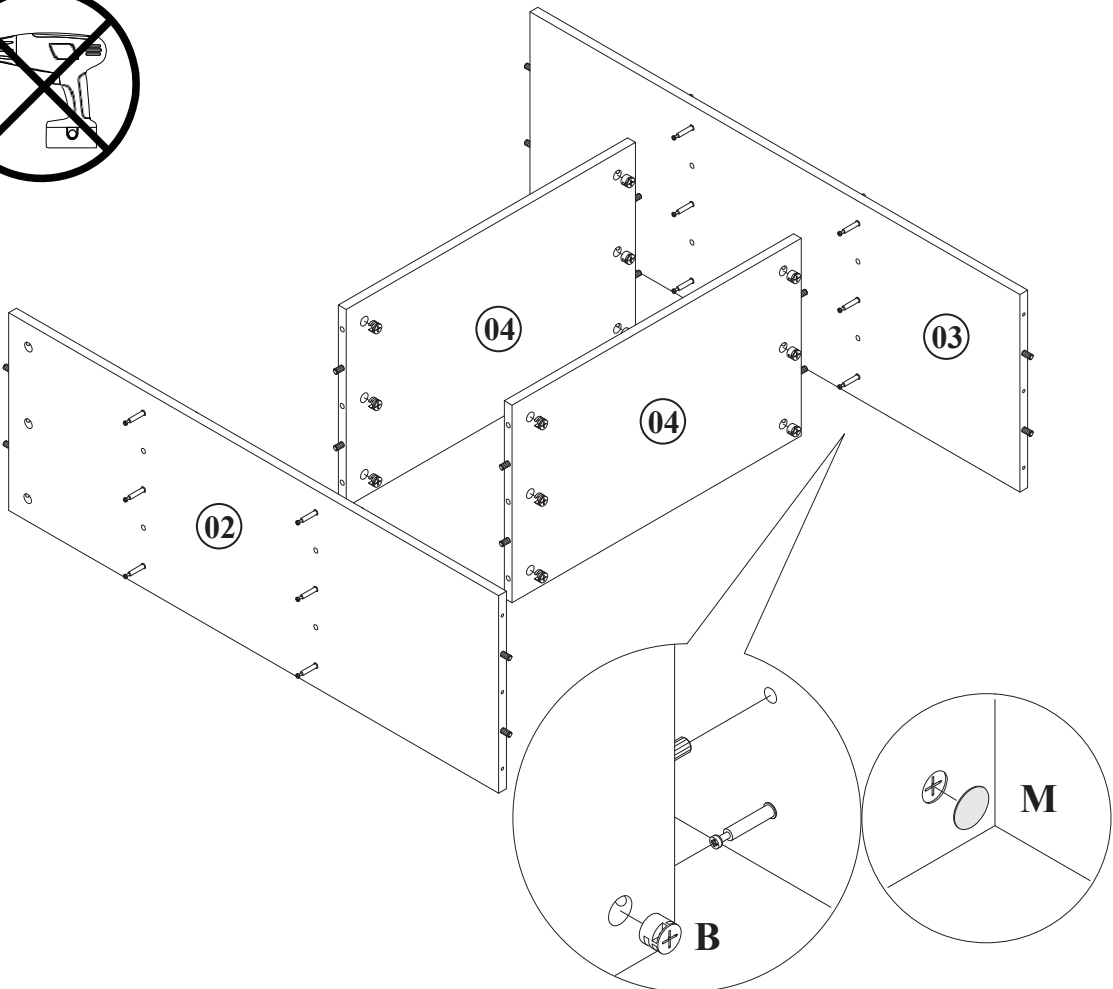
3



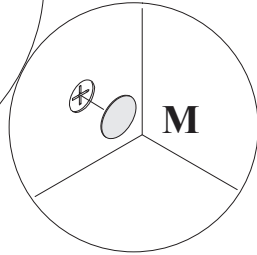
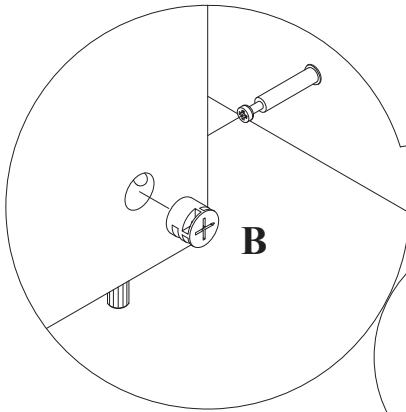
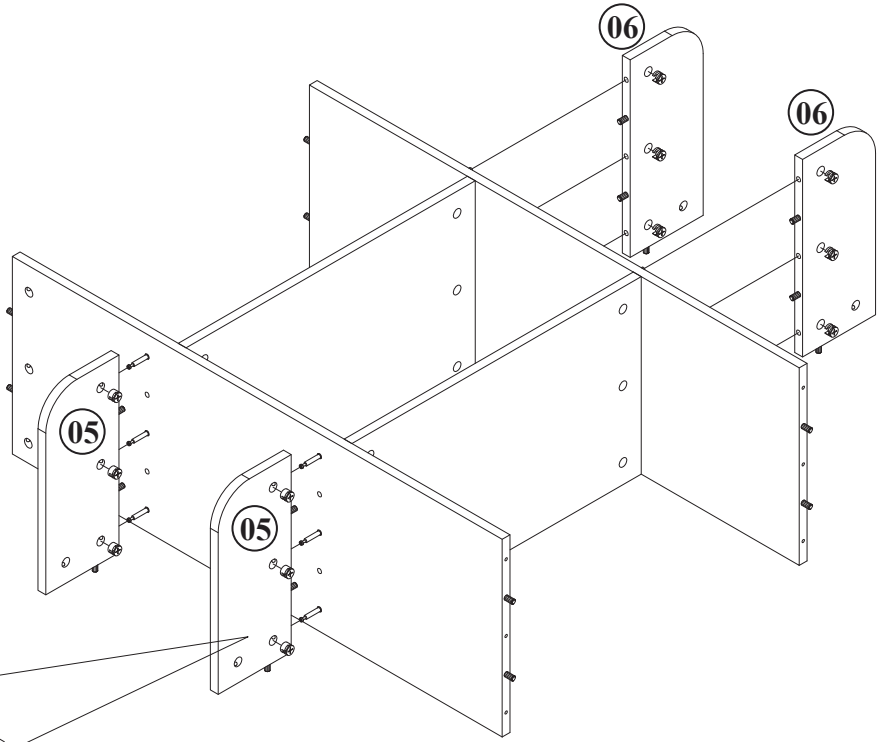
4



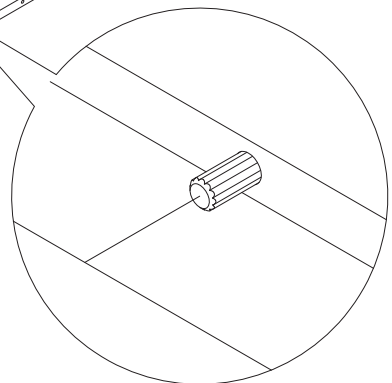
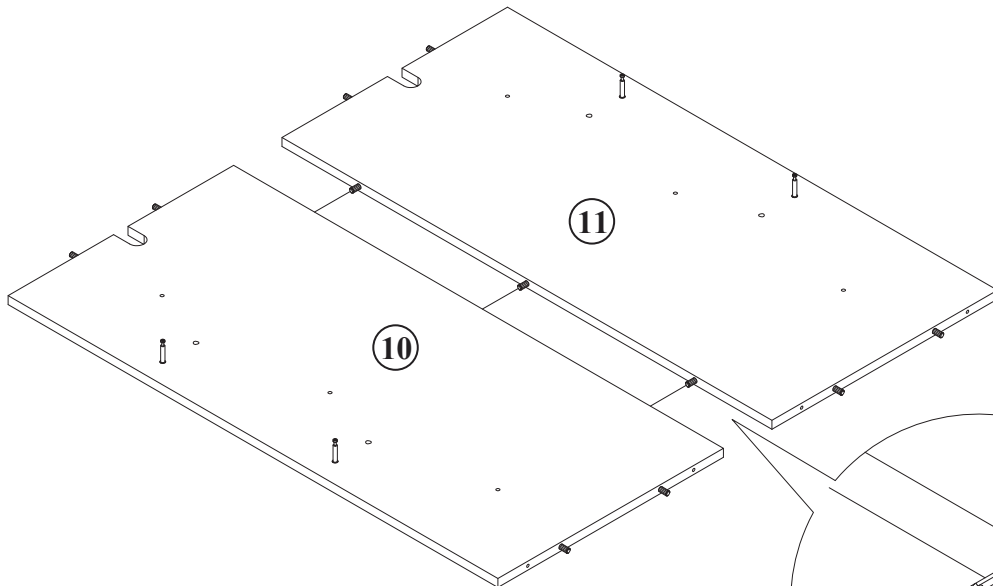
5



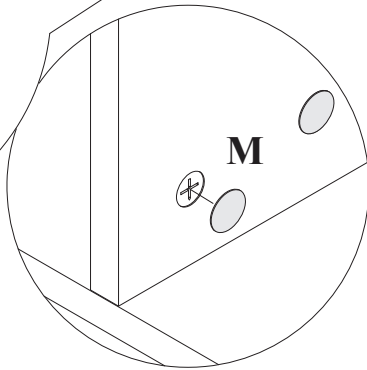
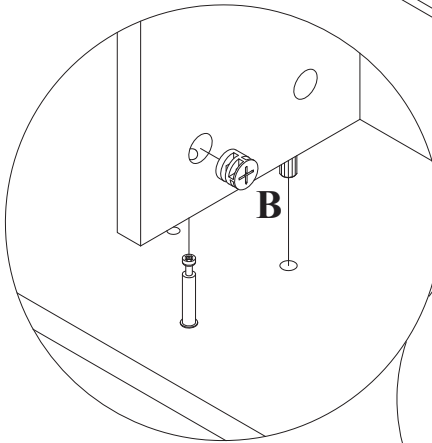
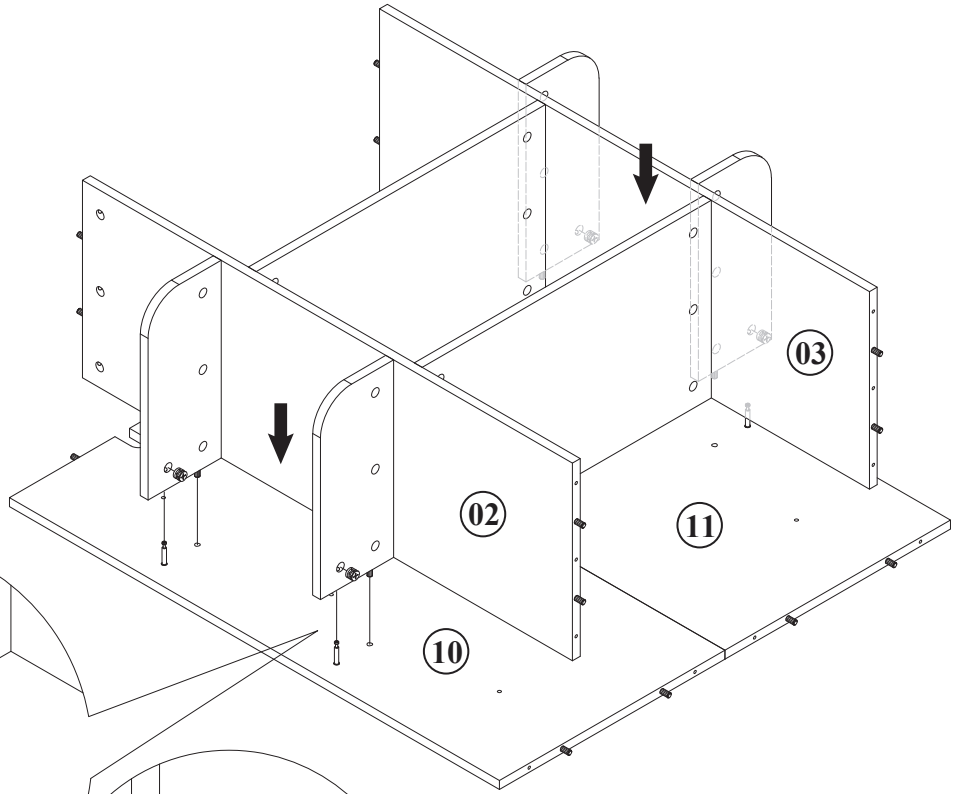
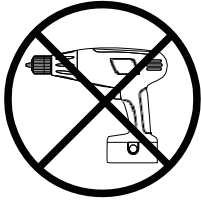
6



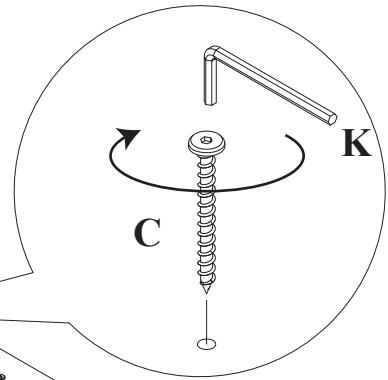
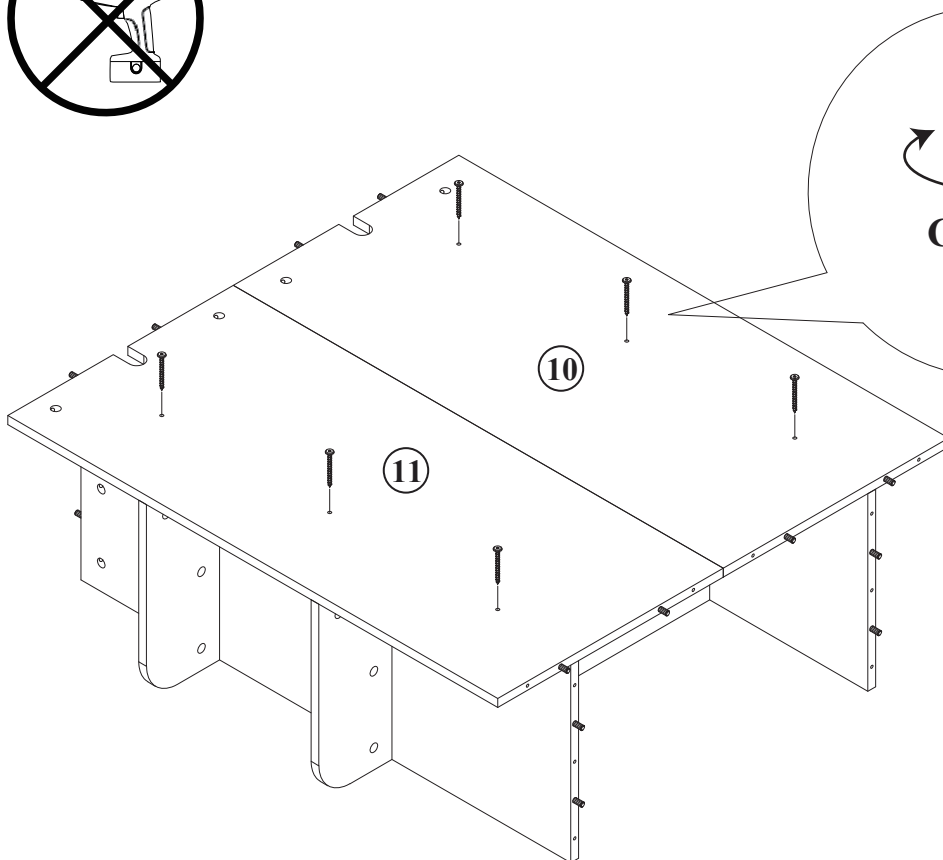
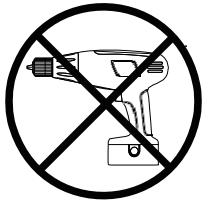
7



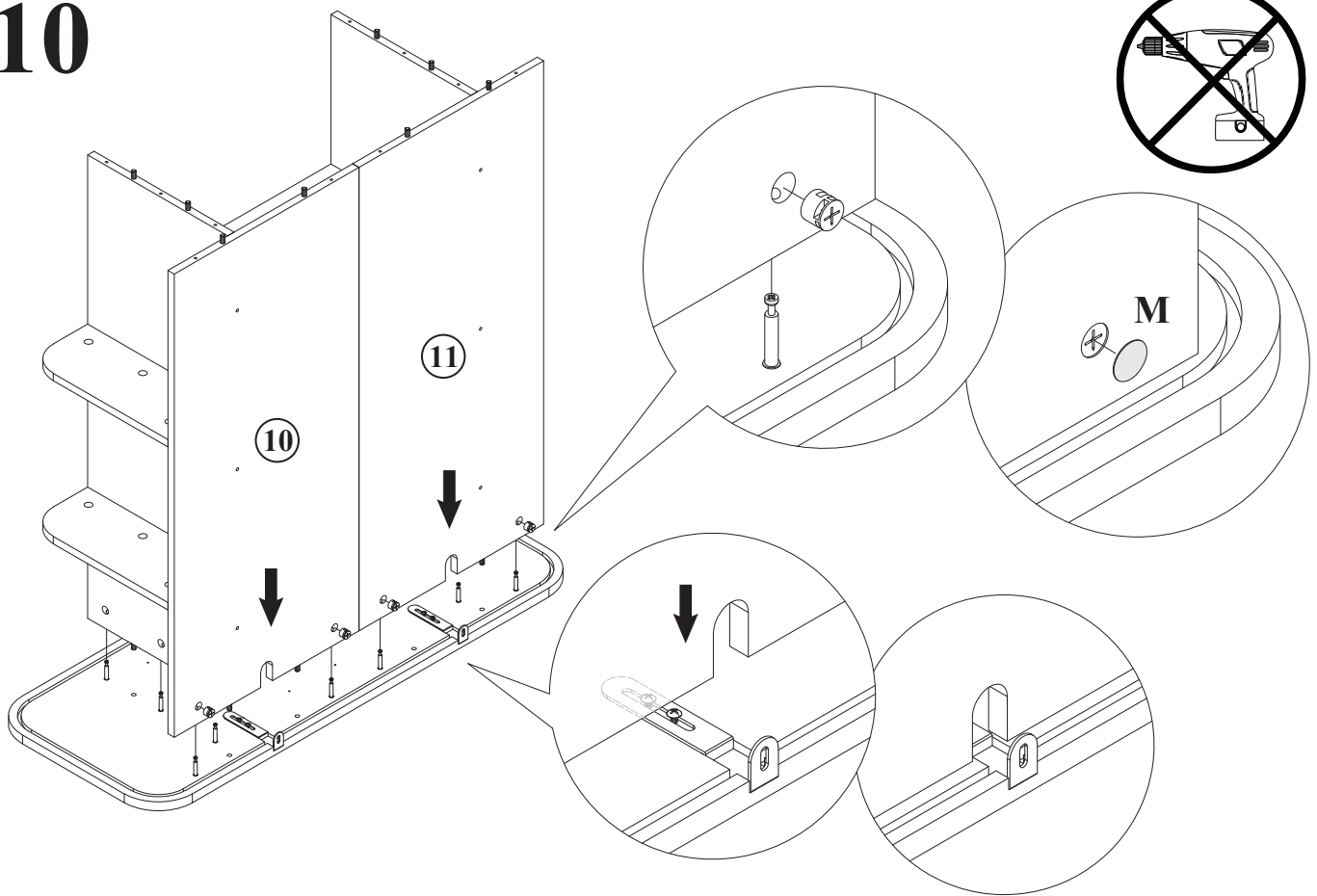
8



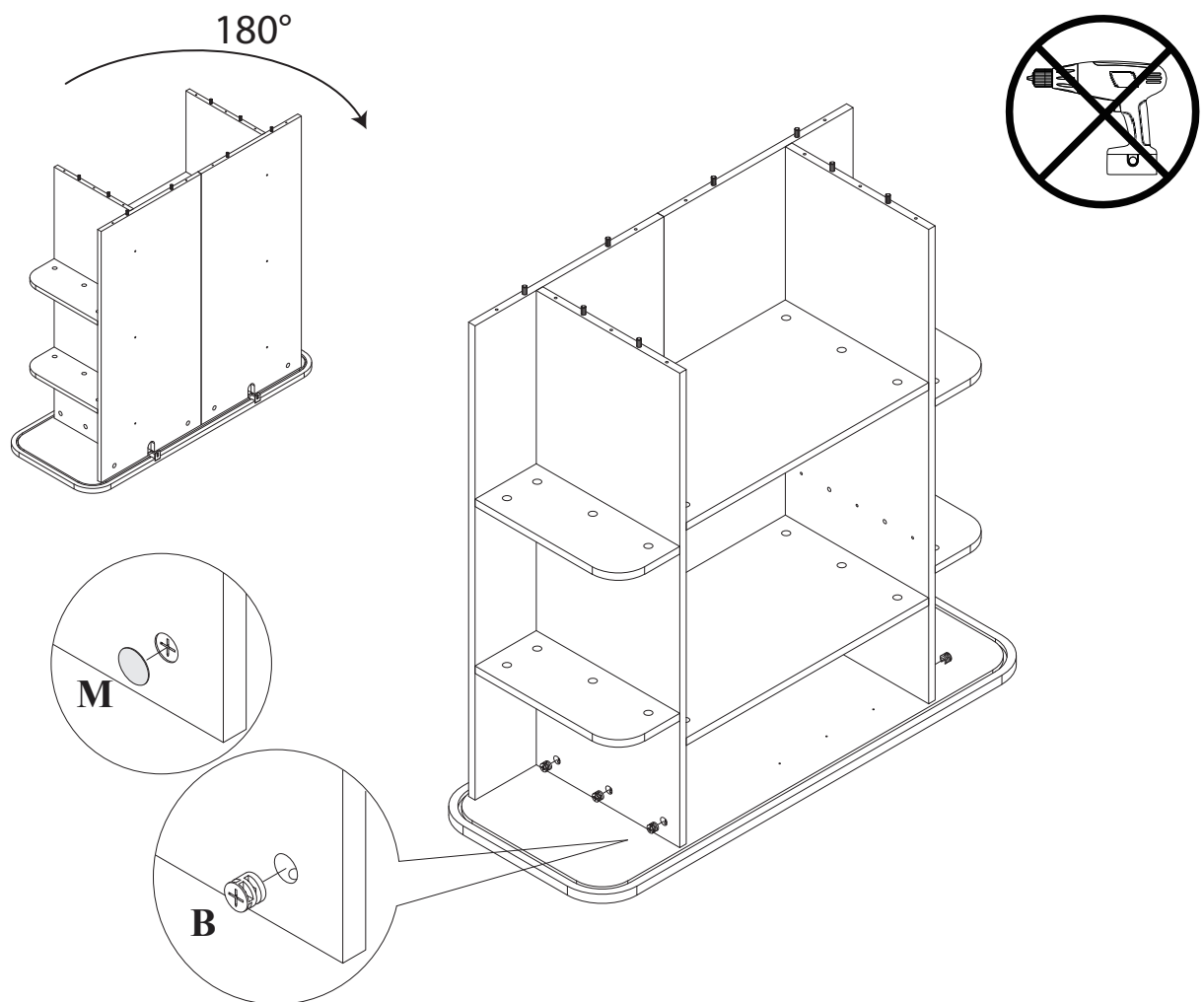
9



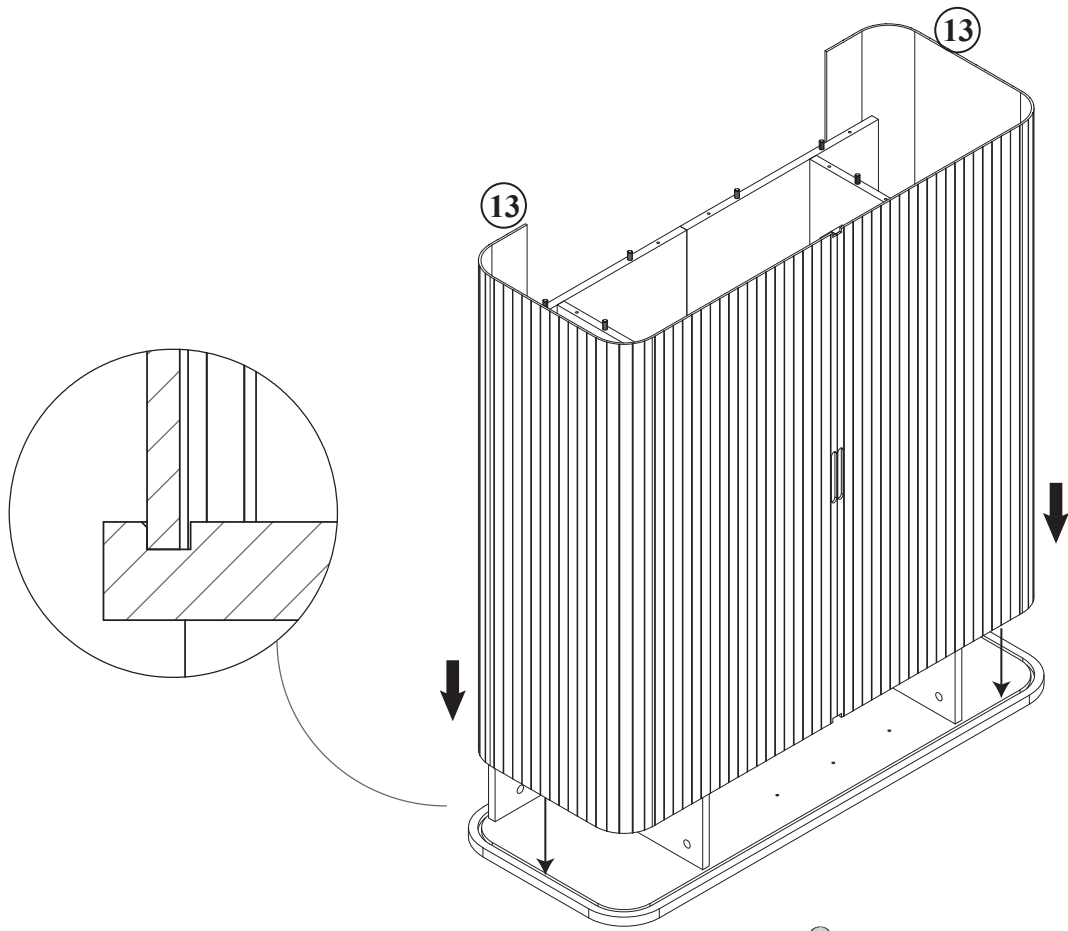
10



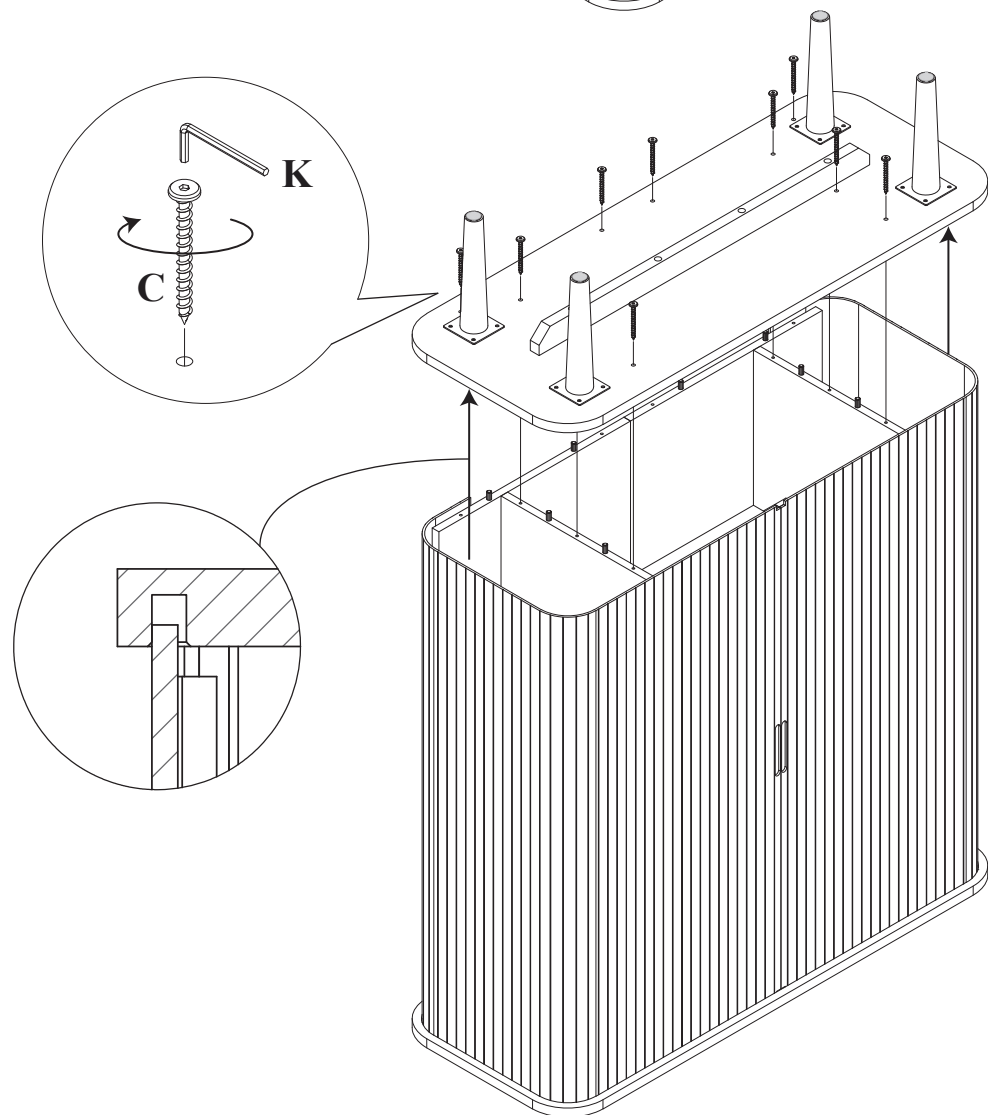
11



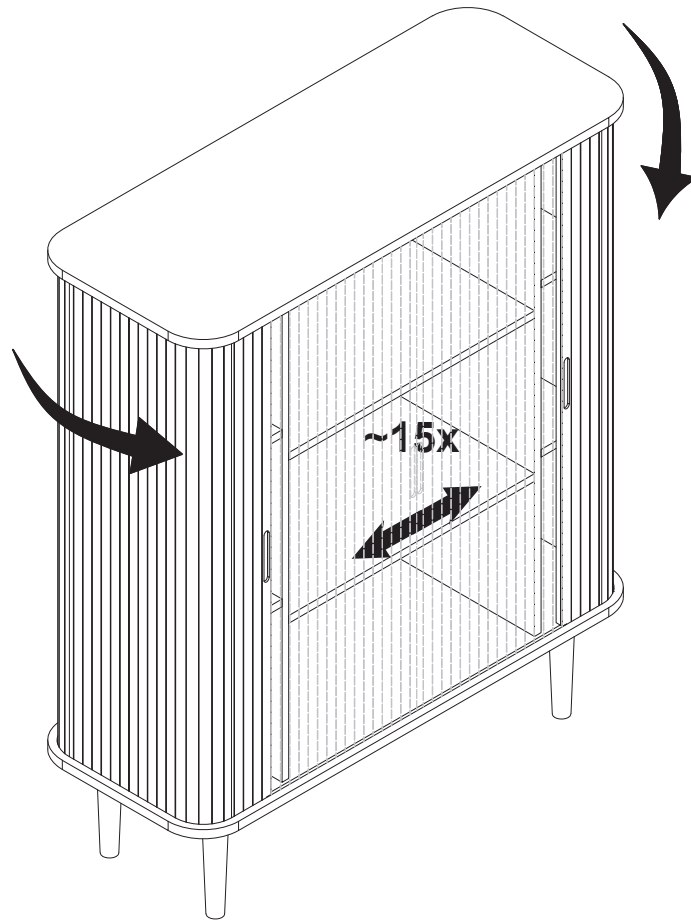
12



13



14



Maintenance:

Rub candle wax or parafin wax in the groove and move the doors back and forth 15 times before using.

15

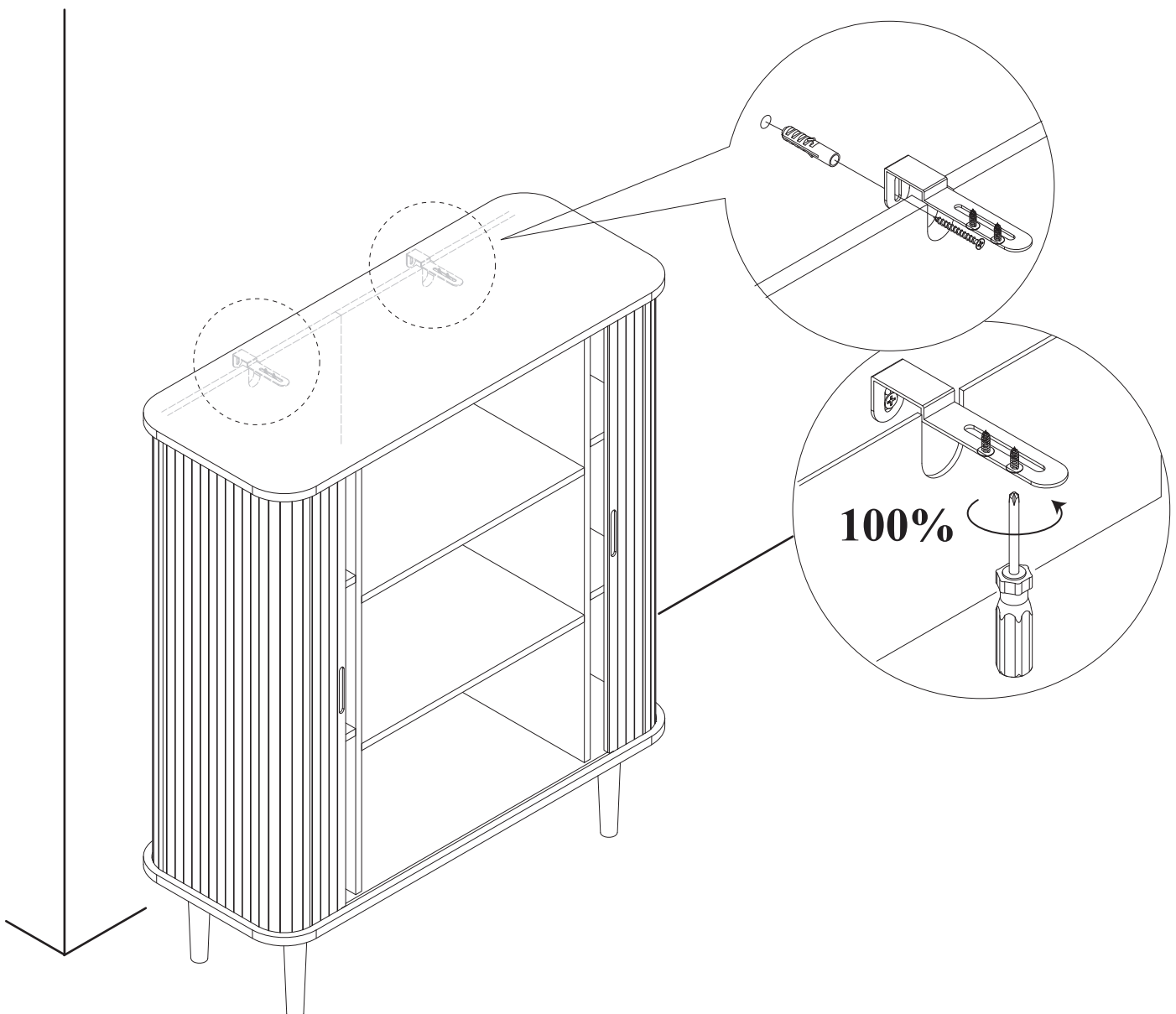
ADDITIONAL SAFETY INFORMATION

In the interest of safety, particularly where small children are concerned, we advise securing your furniture to the wall to prevent the product from tipping forwards when loaded.

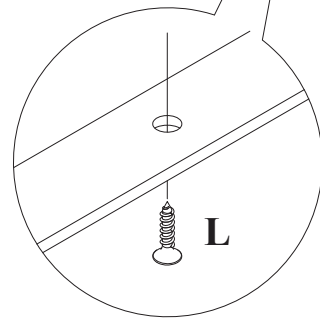
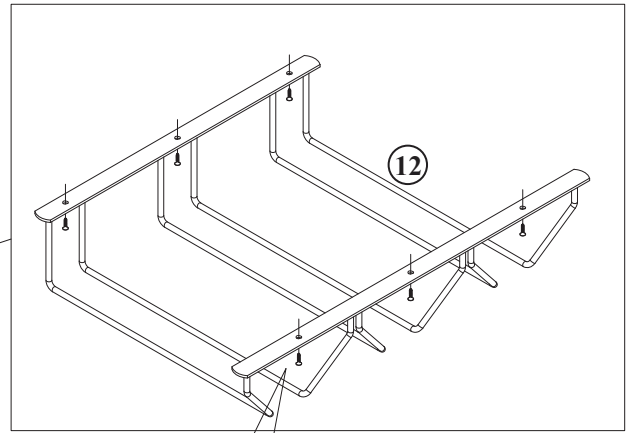
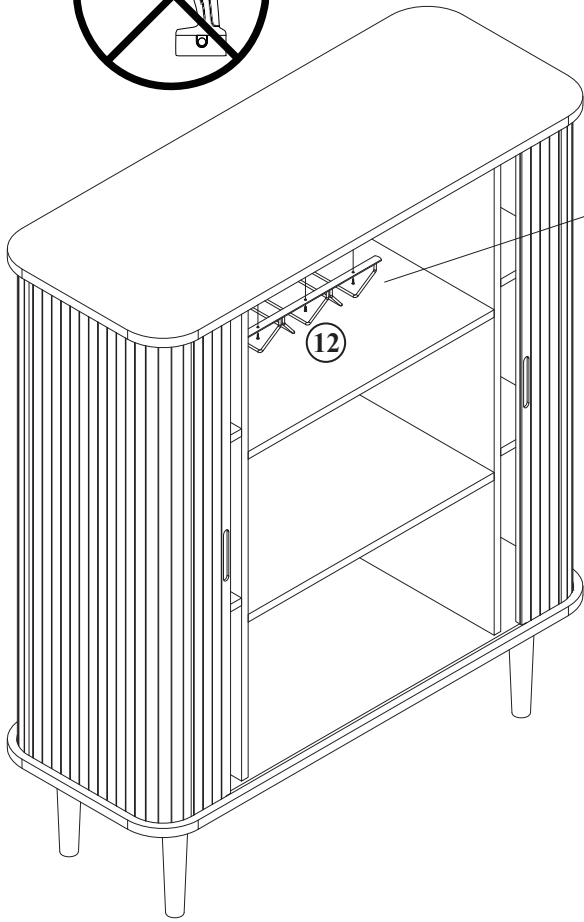
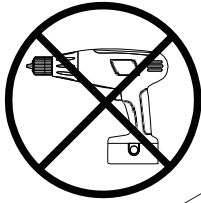
The screw included in this fitting pack is only intended for fixing the safety bracket to the piece of furniture.

Use fixing devices suitable for the walls in your home, (NOT INCLUDED).

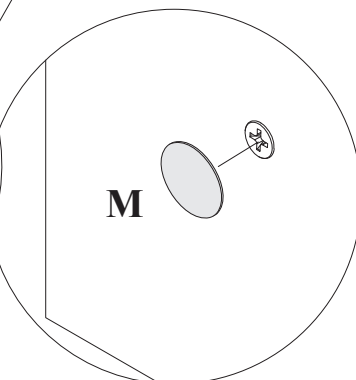
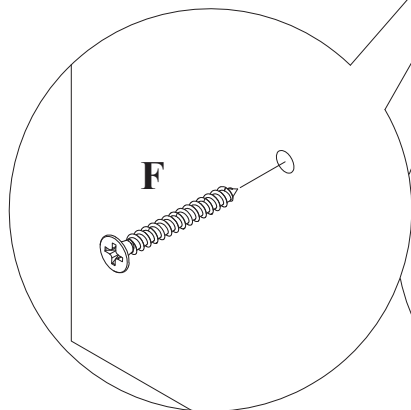
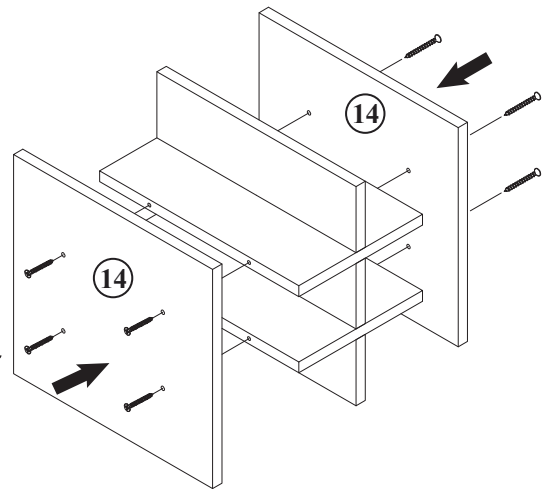
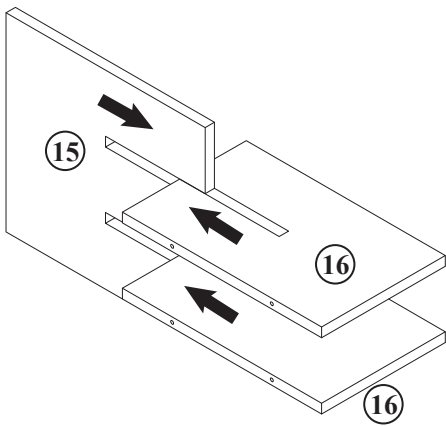
If you are unsure what type of fixing to use, please seek further advice from your local DIY store.



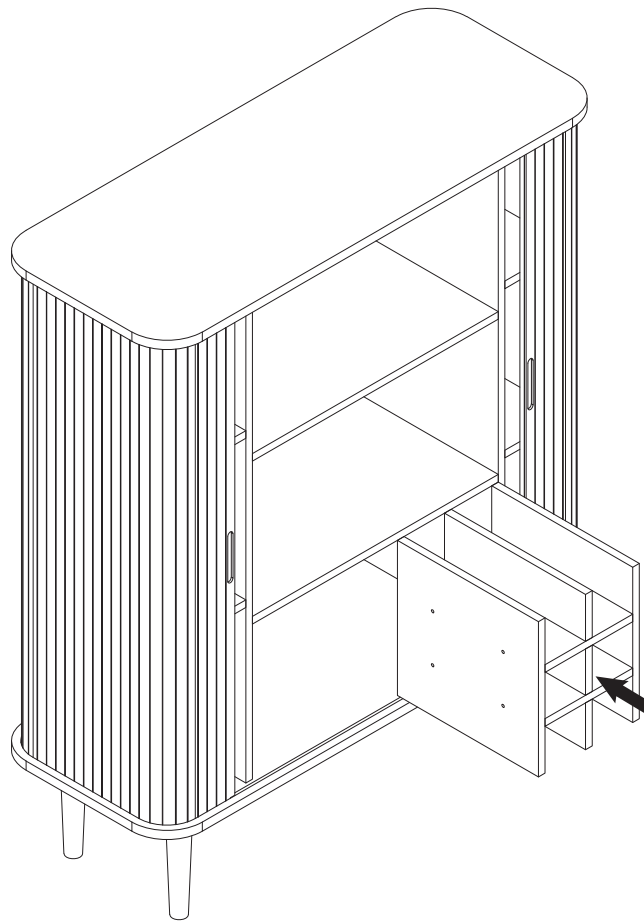
16



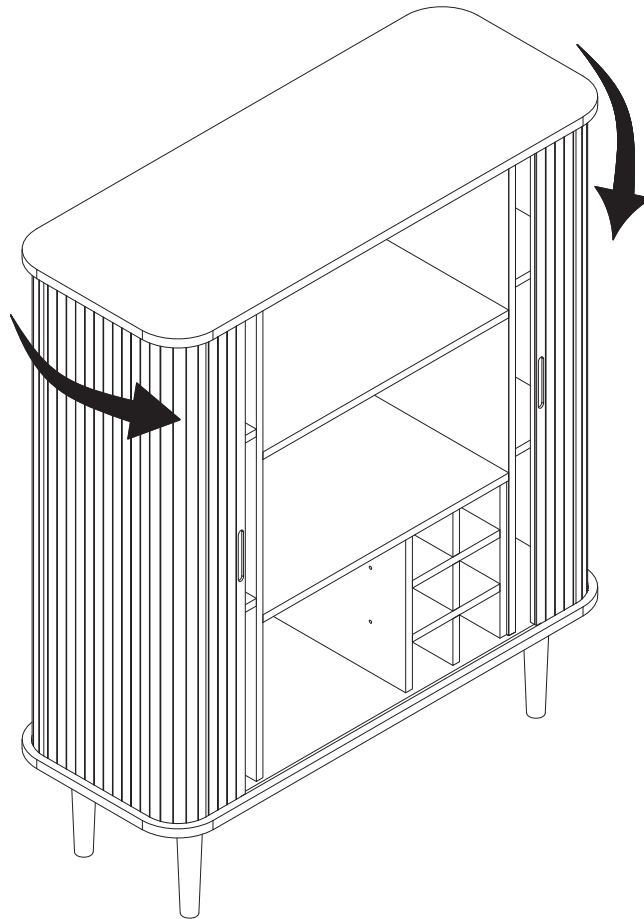
17



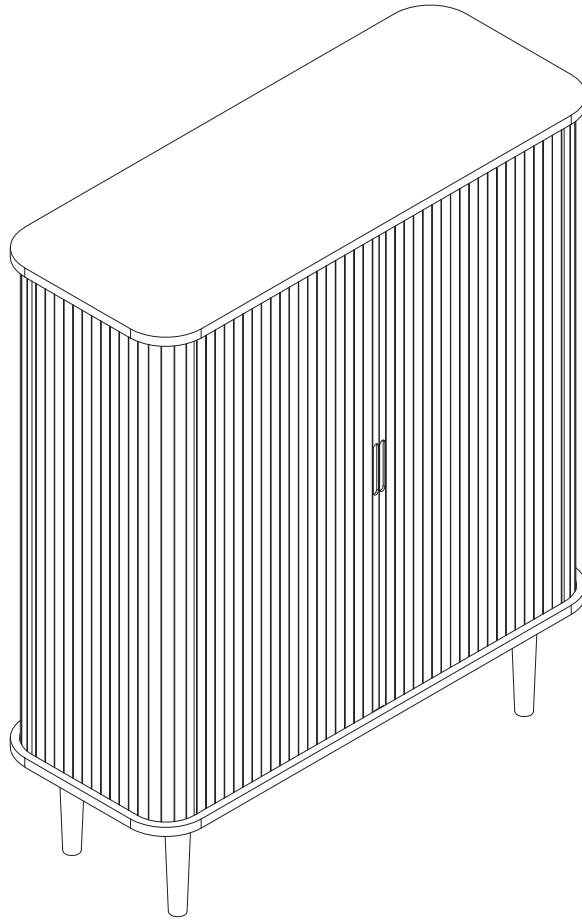
18



19



20



GENERAL CARE & MAINTENANCE

We advise that when cleaning the product that a damp cloth is used.

Avoid the use of all household cleaners and abrasive.

Never push or drag the furniture.

Never attempt to move the furniture when fully loaded.

We advise that periodically all fixing are re-tightened.