

# ASSEMBLY INSTRUCTIONS

## FABRIC BED 150CM

Approximate Assembly Time

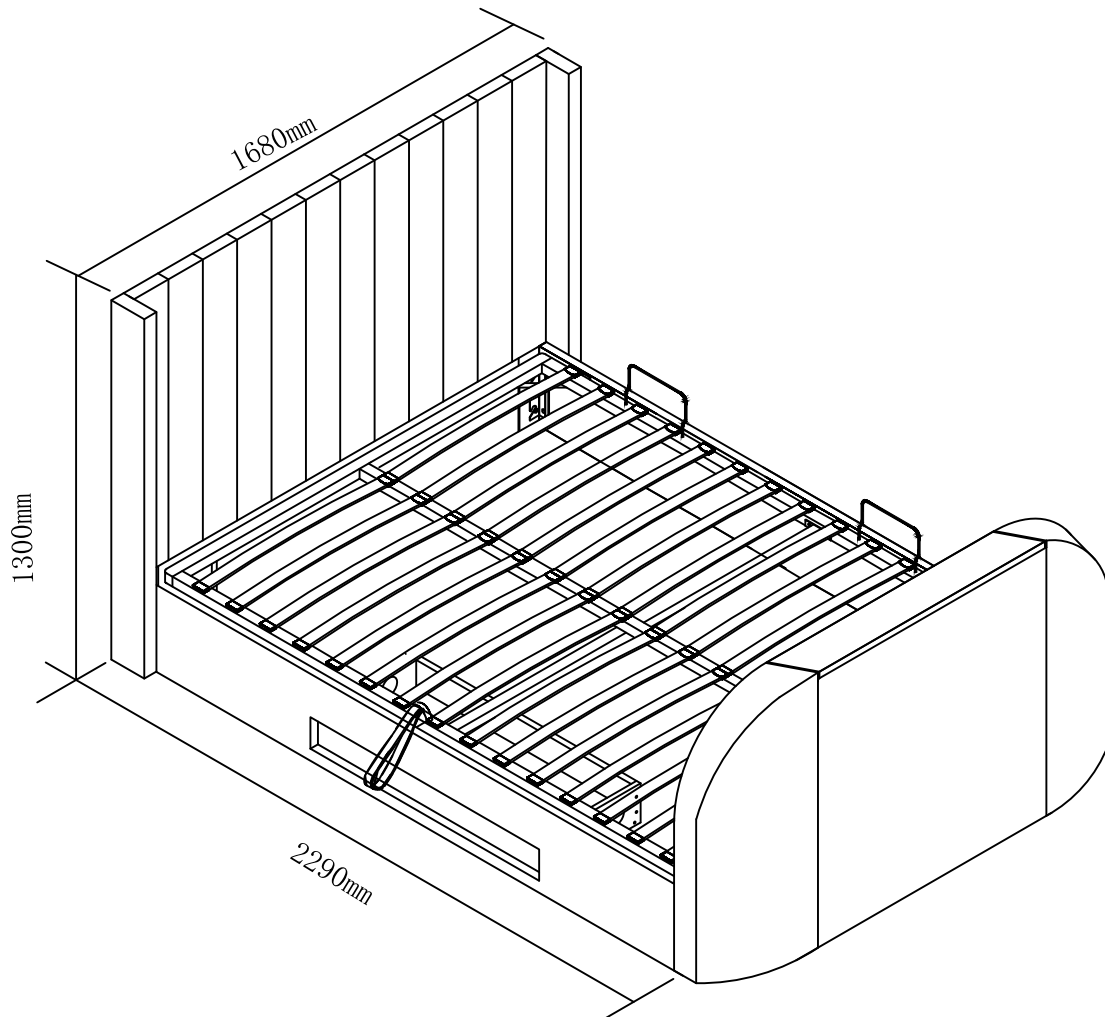


People Required to Assemble



Tools Required

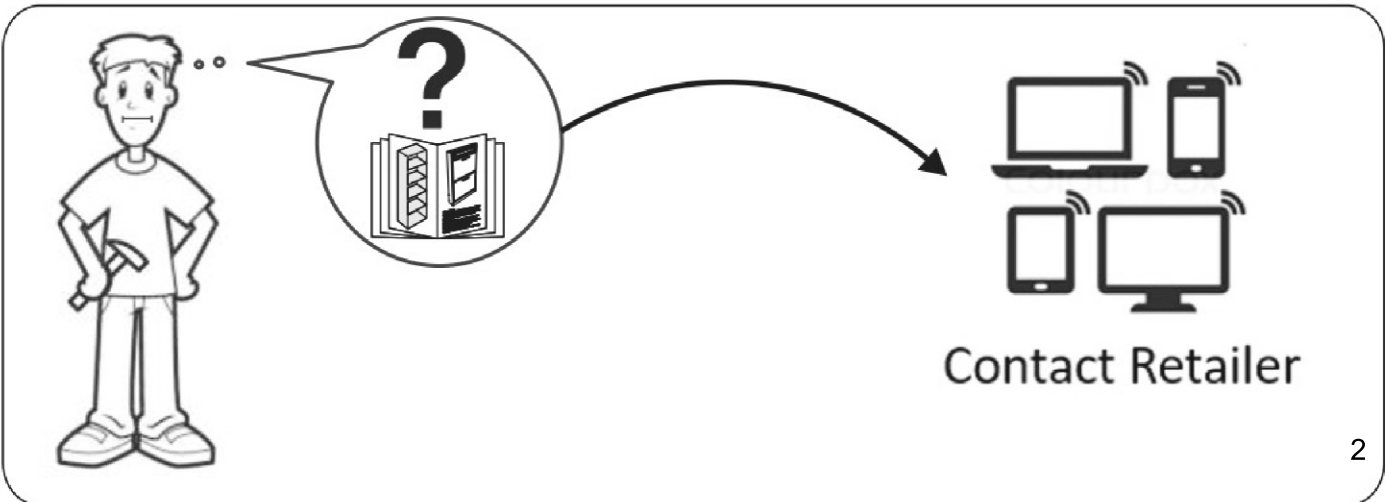
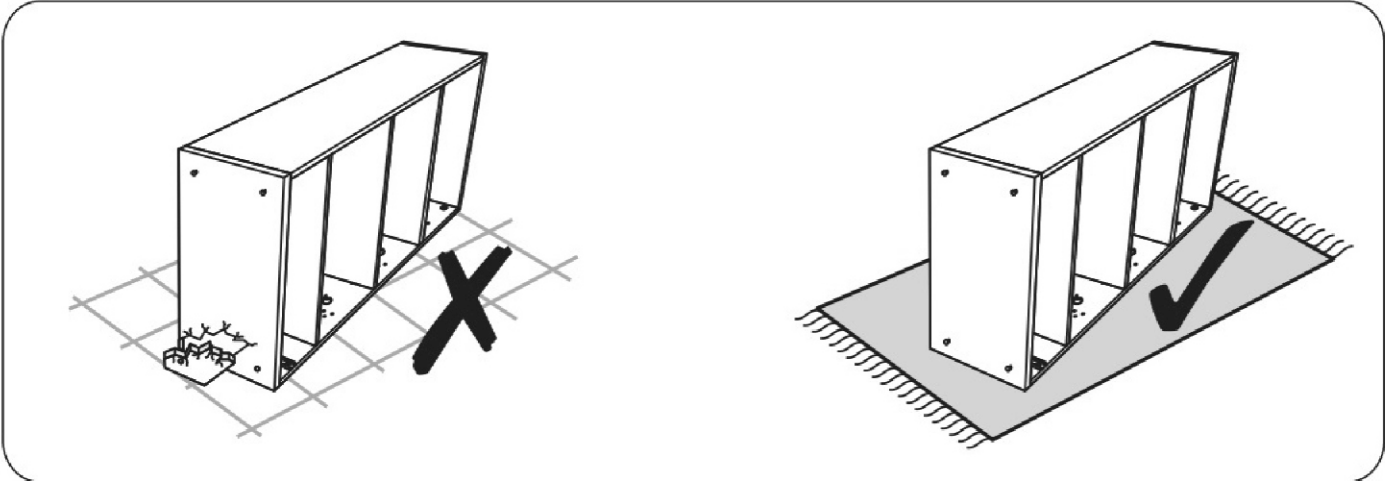
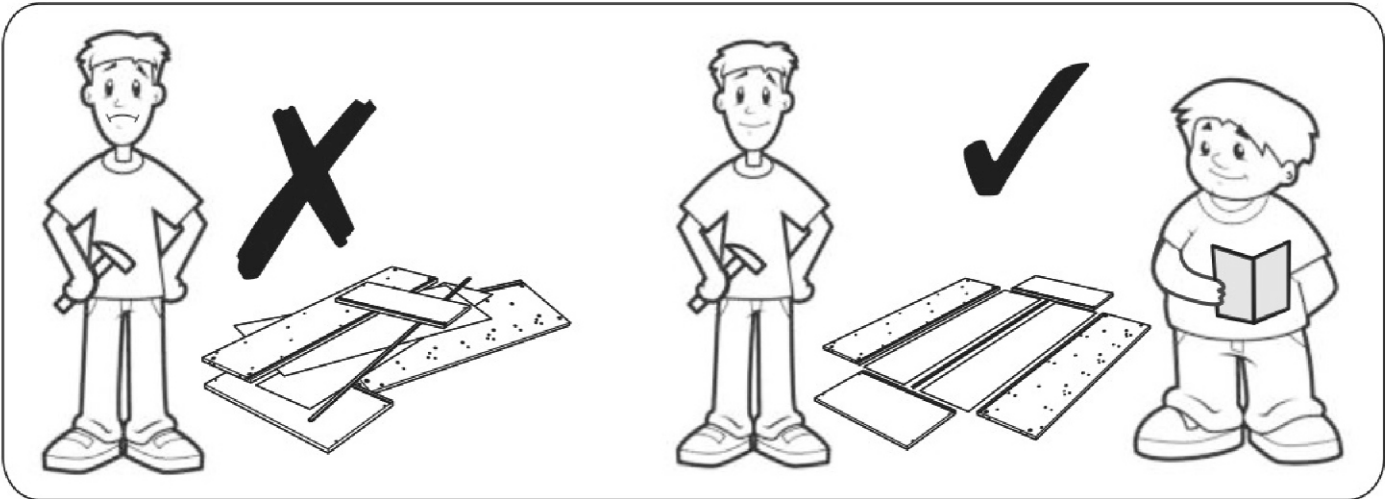
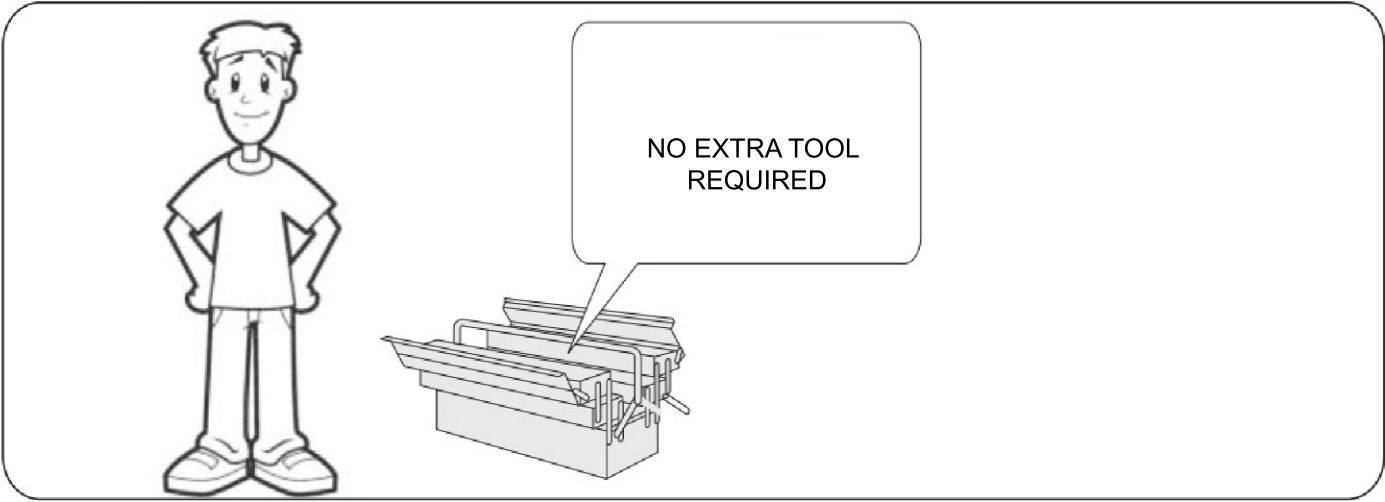
NO EXTRA TOOL REQUIRED



### Before you start...

Please carefully unpack and lay out all of the component parts to ensure nothing is missing and to check each component for any obvious damage.

Should you identify any concerns at this stage please contact the retailer from whom this product was purchased. Please quote your order number, details of your issue, the product code, and the batch number from the cartons which will help to resolve your issue as quickly as possible.



Please check all hardware matches the list below. Should you notice any are missing please contact your retailer.



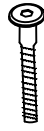
A

32x

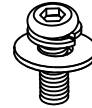


B

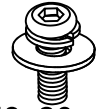
16x



M4x40mm C  
13x



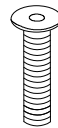
M8x25mm D  
12x



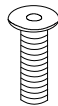
M8x20mm E  
20x



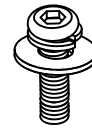
M6x20mm F  
16x



M8x55mm G  
4x



M8x35mm H  
6x



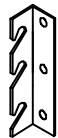
M8x50mm I  
18x



Flat Washer J  
12x



Nut K  
16x



L

2x



R

2x



M

1x



N

1x



M5 O  
1x



M4 P  
1x

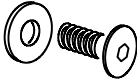






M3 Q  
1x



S  
1x

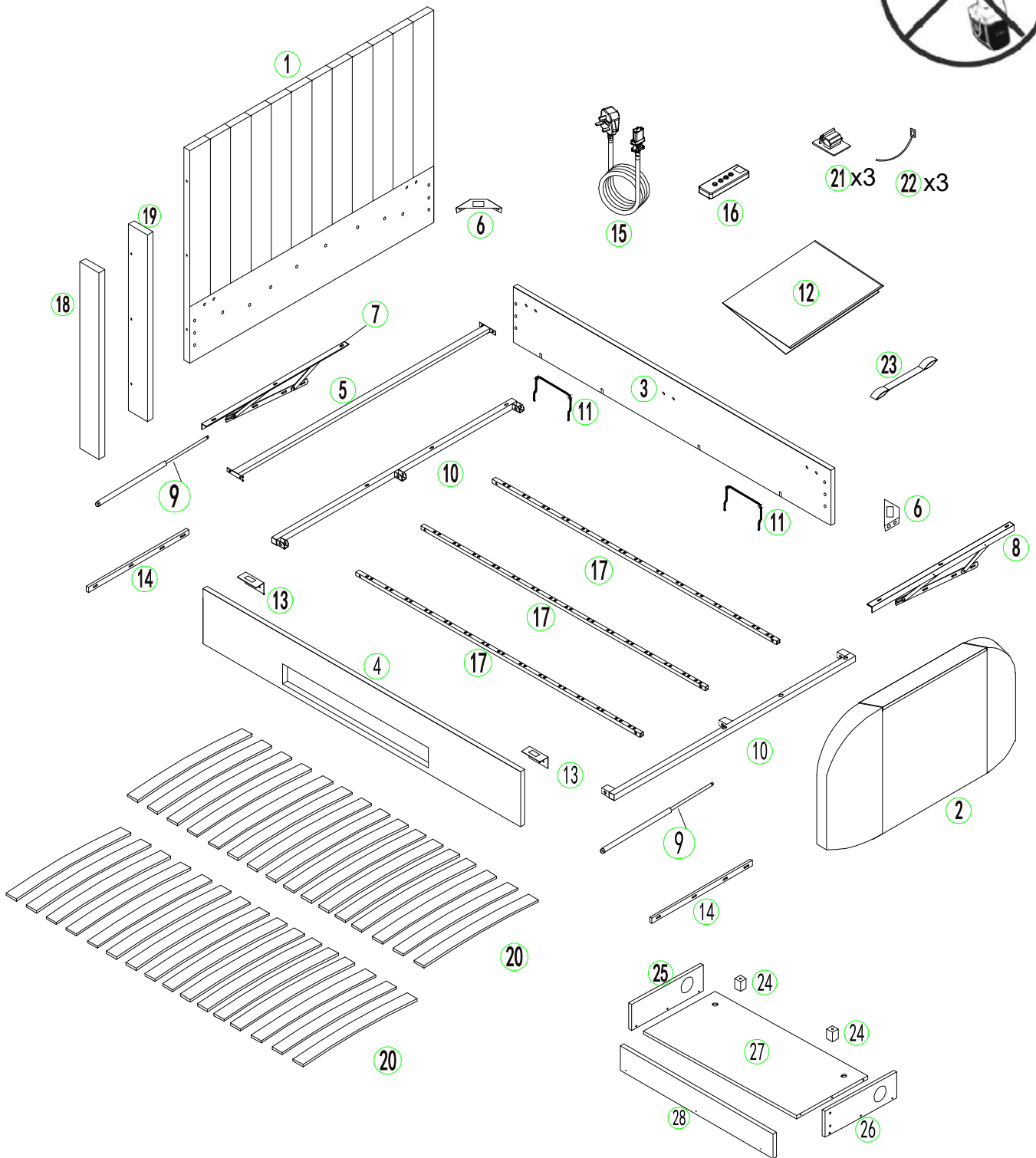
### TV INSTALLATION KIT

<p>a</p>  <p>M8x25mm x2</p>  <p>M6x12mm x2</p>  <p>M4x12mm x2</p>	<p>b</p>  <p>Allen Key (4mm)</p>  <p>Allen Key (2.5mm)</p>
--	---

We strongly advise that you do not use Power Tools, such as drills or electric screwdrivers during the assembly as this may cause irreparable damage and will invalidate your warranty.



# PARTS



Please ensure you carefully check all the pieces, should you have any concerns please contact the retailer before assembly commences. Please have your order number, details of the issue, the product code, and the batch number from the cartons as this will help us to resolve your issue much faster.

## ASSEMBLY ADVICE

Please take the time to carefully read through these instructions before you commence.

Keep these instructions for future reference.

We advise that the product is assembled in the room it is intended for.

We advise that you keep the hardware in a bowl during assembly to avoid losing anything.

We strongly recommend that you keep children away from the work area.

Small component parts could choke a child if swallowed.

We recommend you use a sheet or blanket to protect both floor and product through the assembly stages.

This product is heavy, and we recommend a 2 person lift to avoid personal injury or damage to the product.

Never push or pull the product as this could cause both personal injury or irreparable damage to product or floor.




We have tried to make this piece of furniture easy to assemble if the instructions are followed carefully.

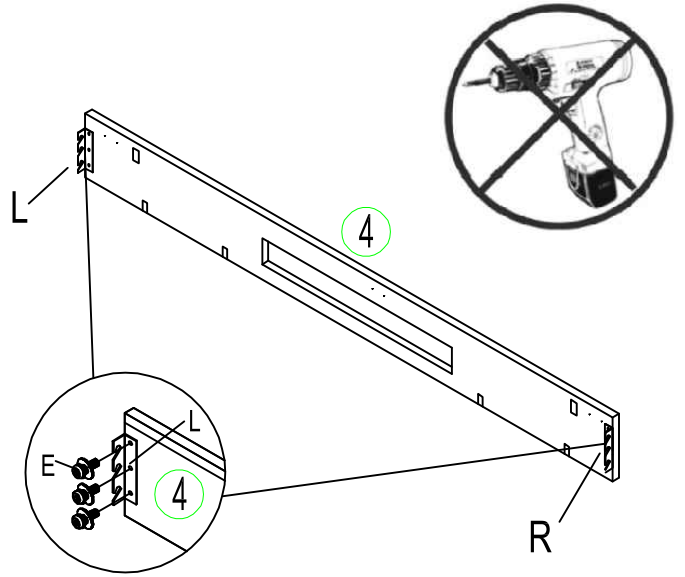
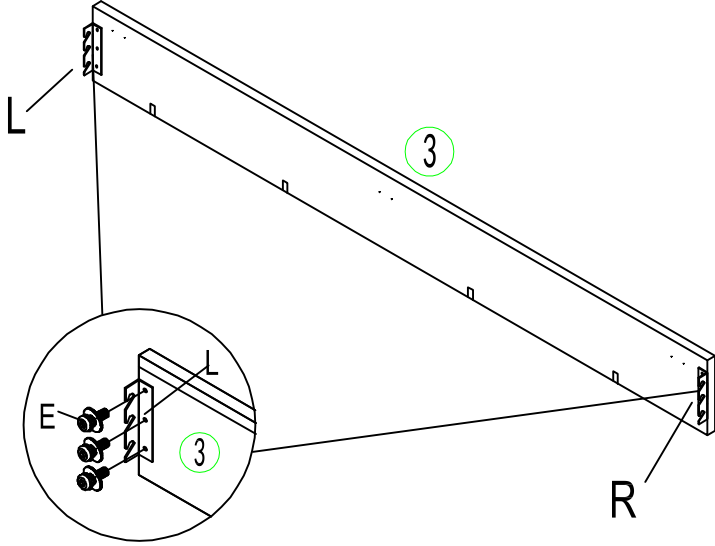
In the unlikely event that you have problems with assembling the product or have missing or damaged parts, please contact your retailer and we will assist them in rectifying the problem as quickly as possible.

Please remember we strongly urge you DO NOT use power tools such as drill or electric screwdrivers as this could cause irreparable damage to your product and will invalidate your warranty.




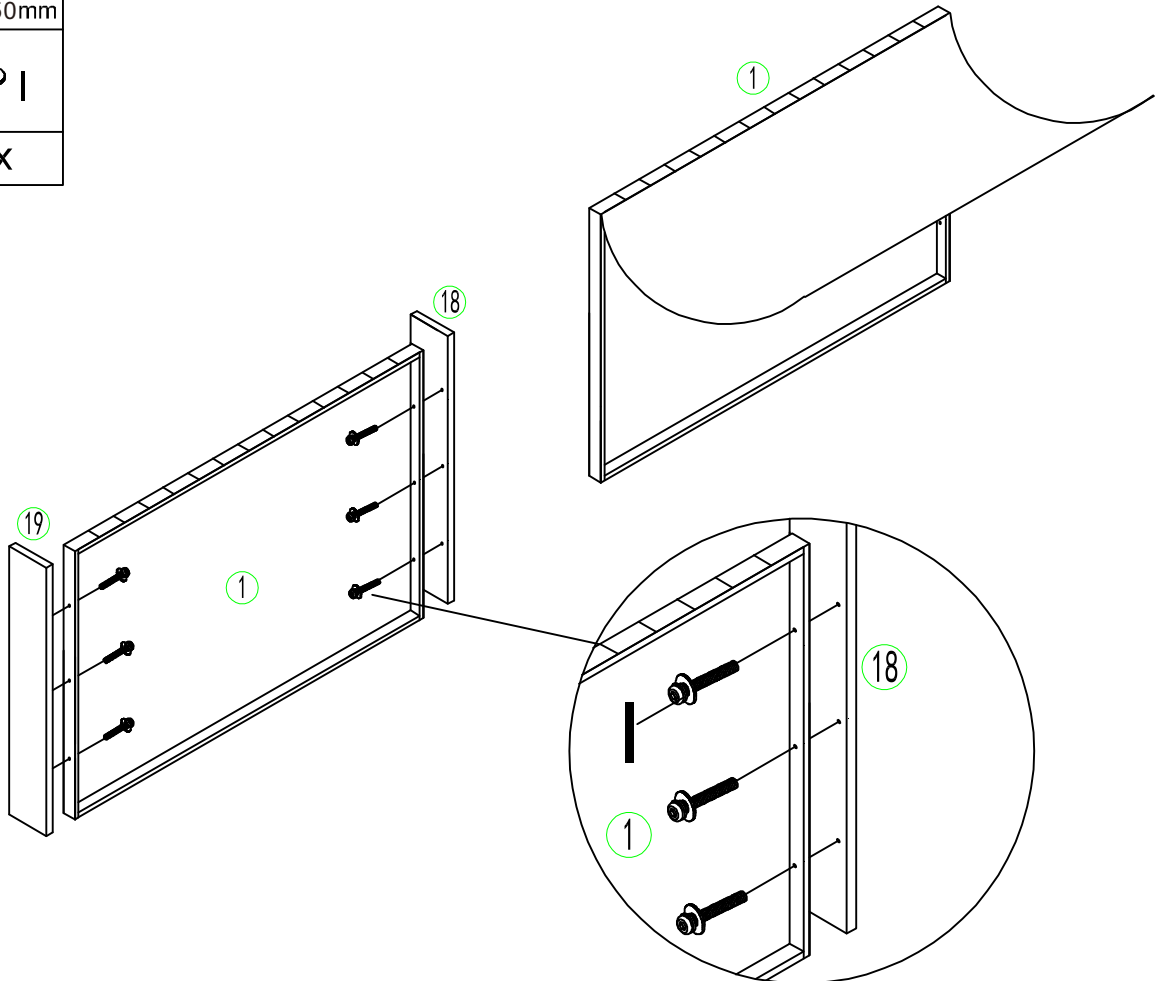
# 1

M8x20mm		
 E	 L	 R
12x	2x	2x




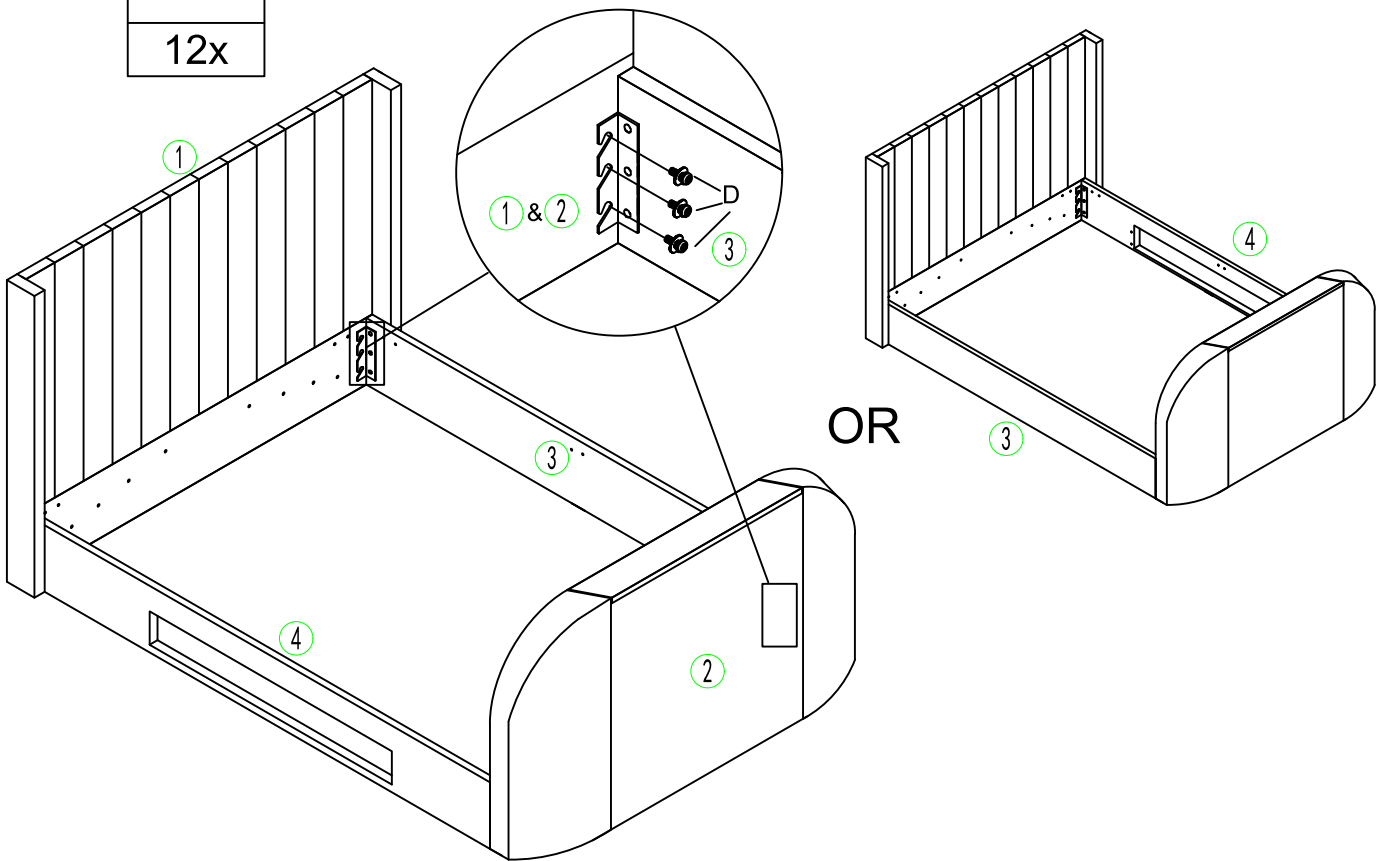
# 2

M8x50mm
 I
6x

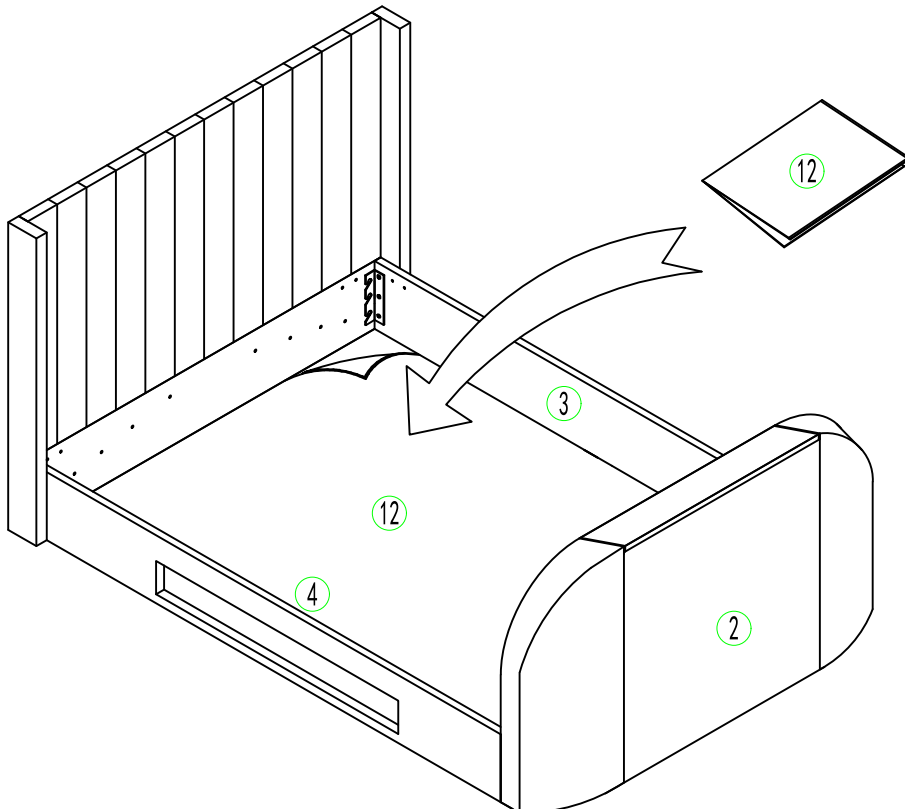


# 3


M8x25mm  
  
12x

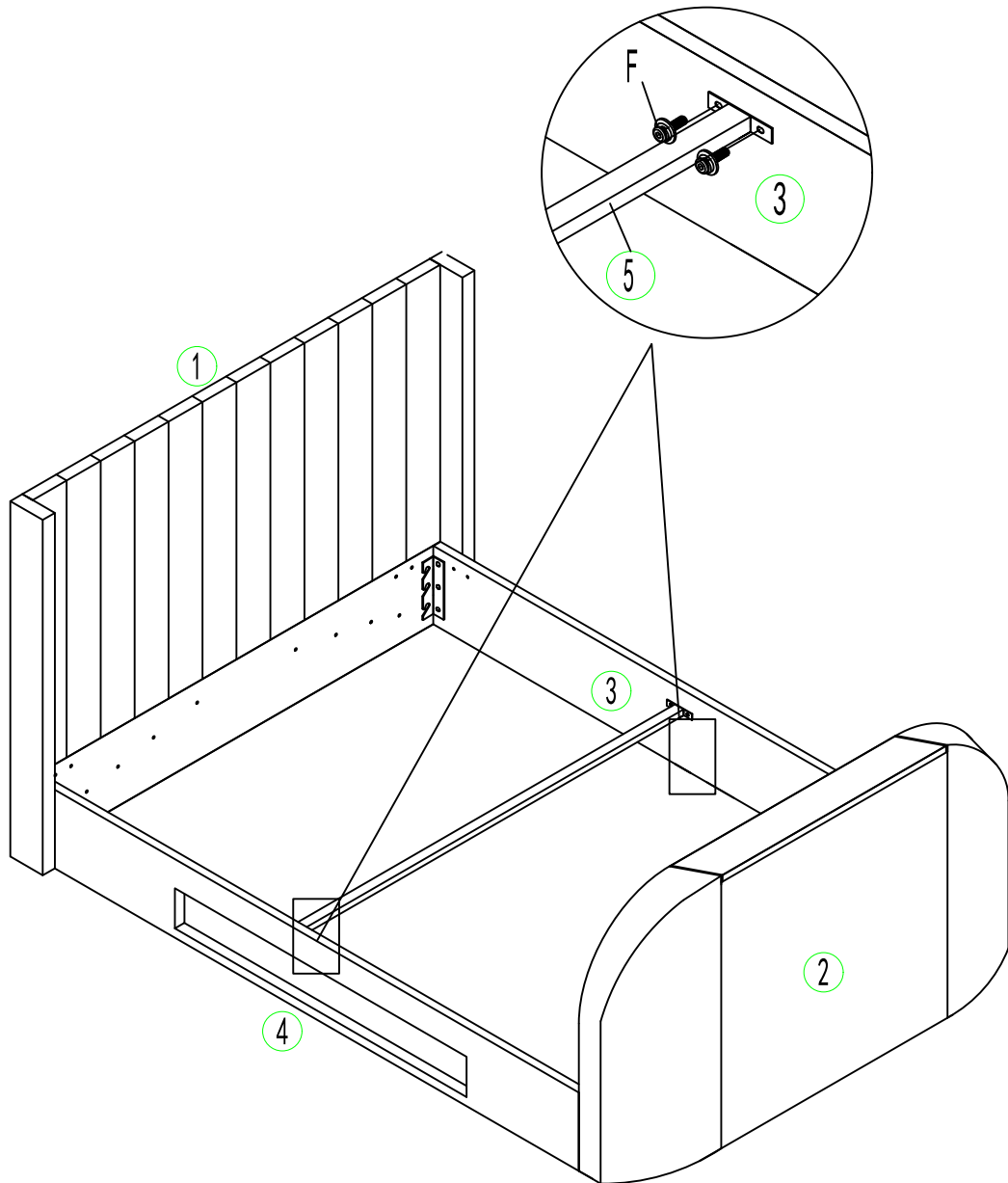


# 4




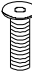



# 5

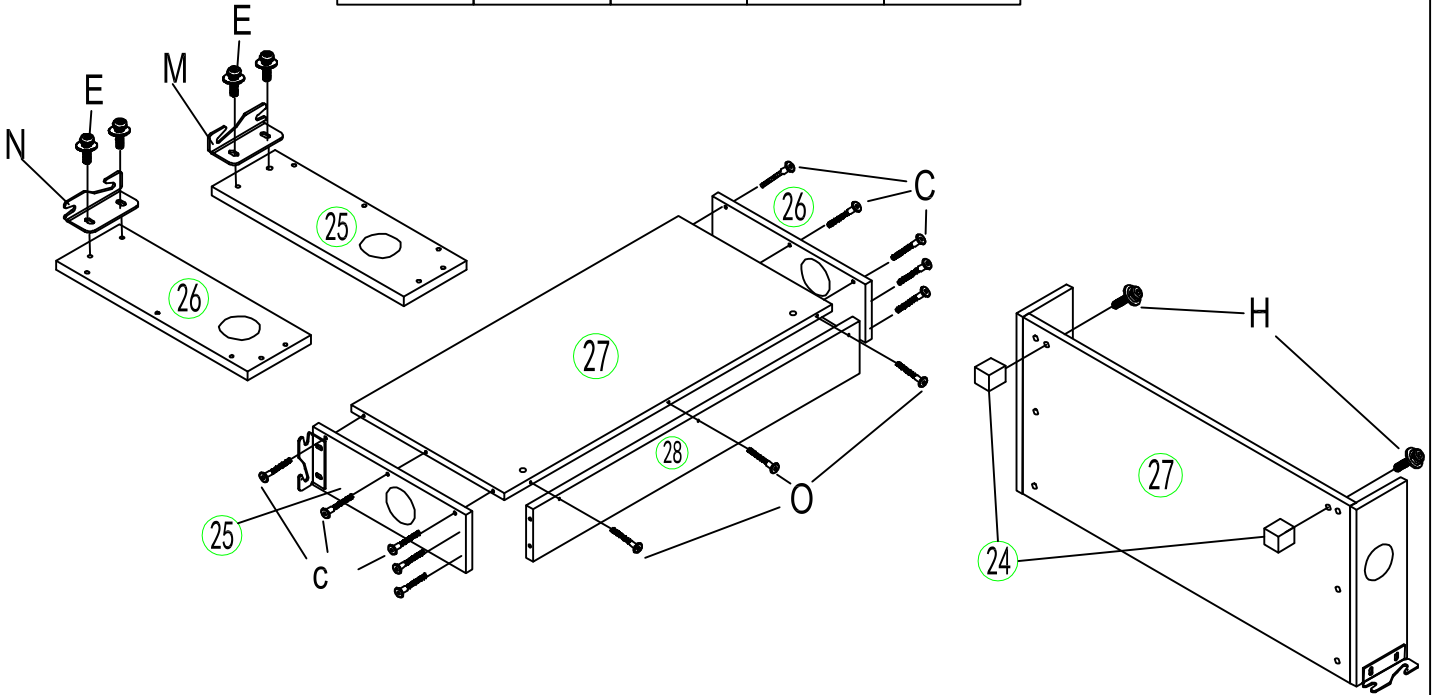
M6X20mm
 F
4x






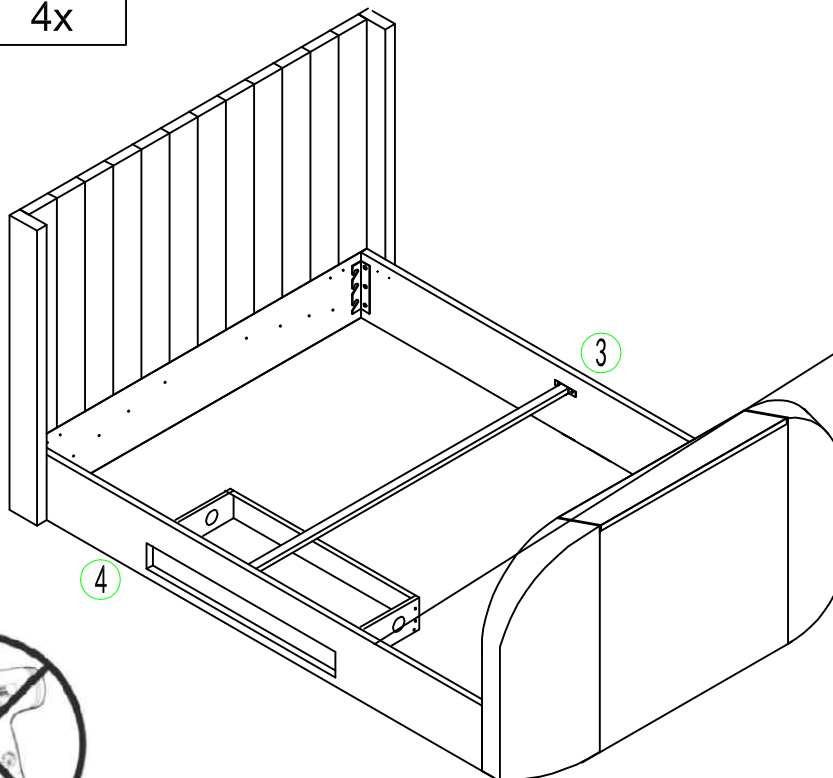
# 6

4x40mm	M8x35mm	M8x20mm		
 C	 H	 E	 M	 N
13x	2x	4x	1x	1x



# 7

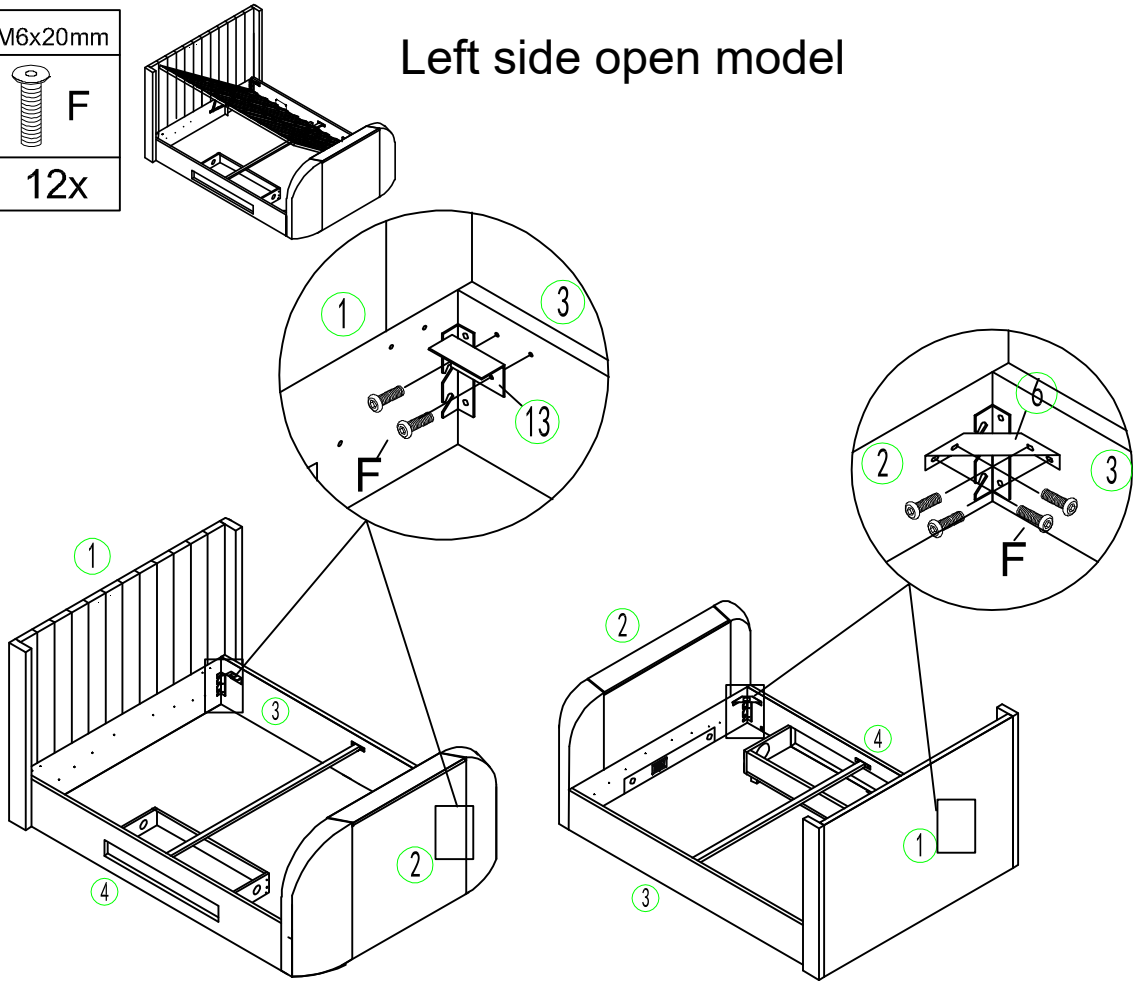
M8x20mm
 E
4x



# 8<sub>A</sub>

M6x20mm  
F  
12x

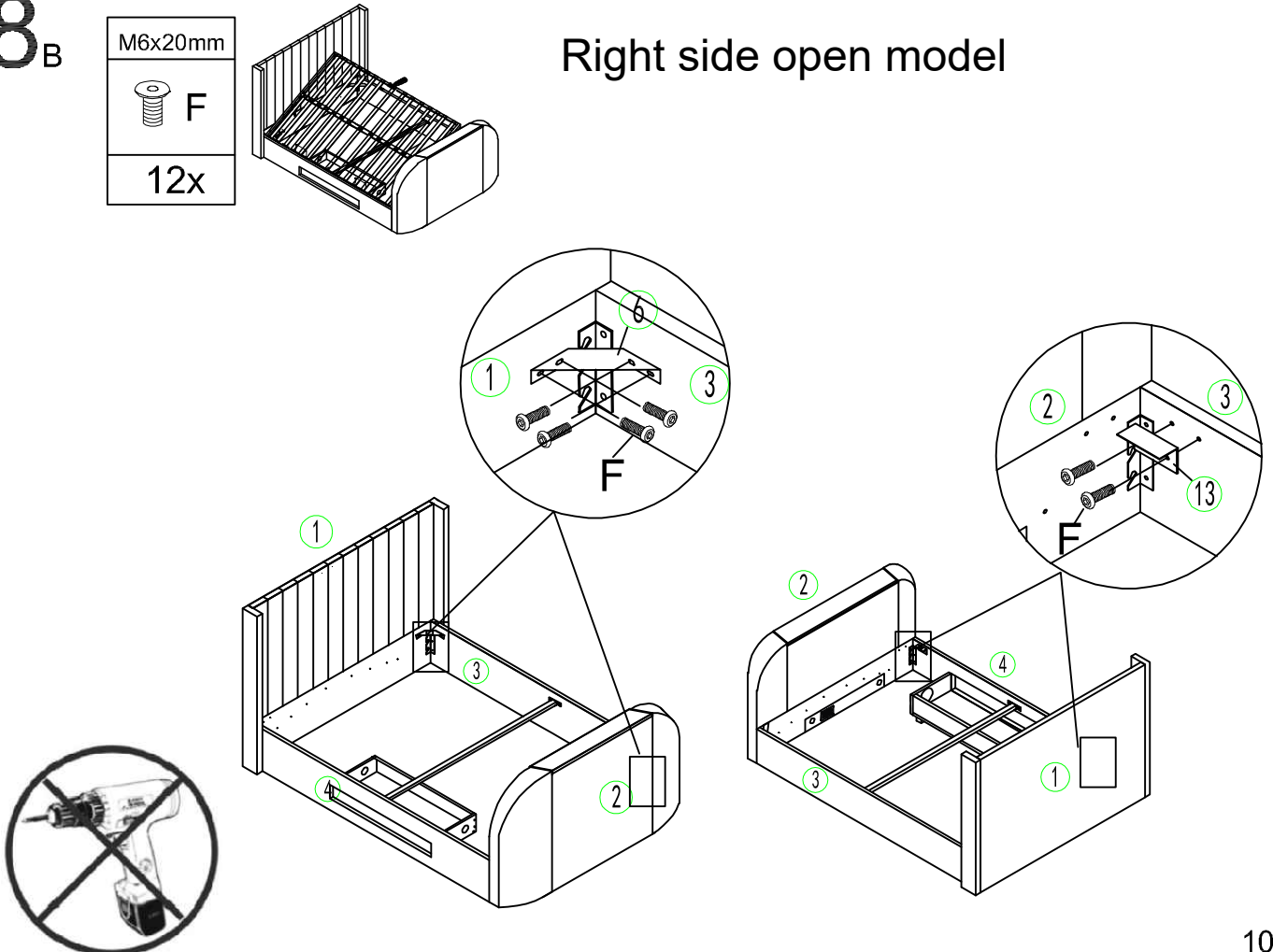
## Left side open model



# 8<sub>B</sub>

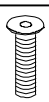

M6x20mm  
F  
12x

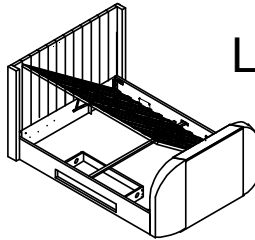
## Right side open model



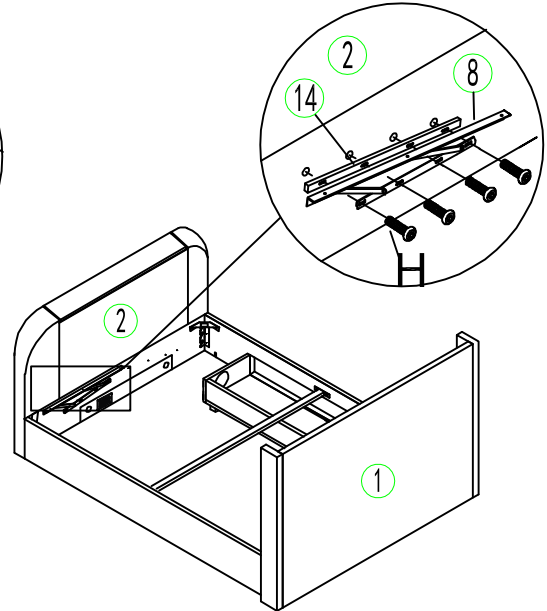
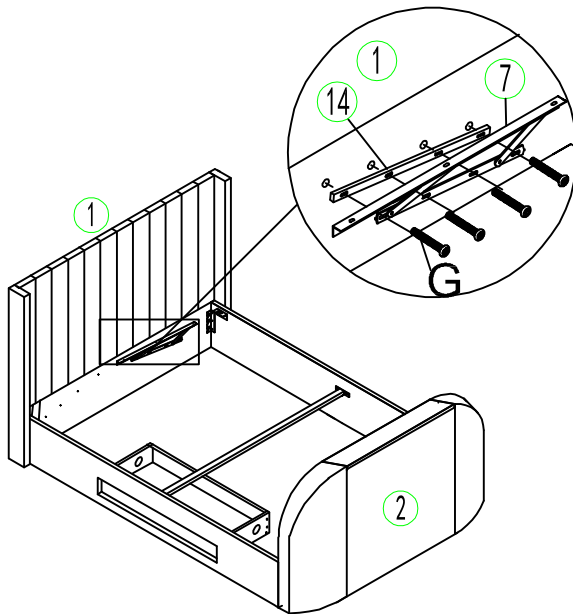
# 9

A

M8x55mm	M8x35mm
 G	 H
4x	4x

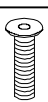



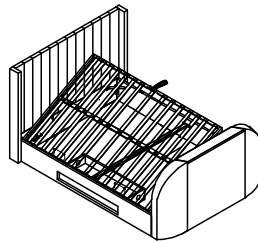
## Left side open model



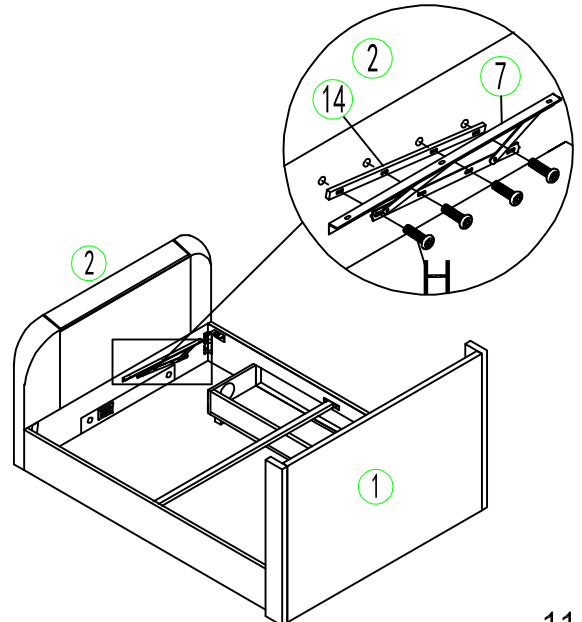
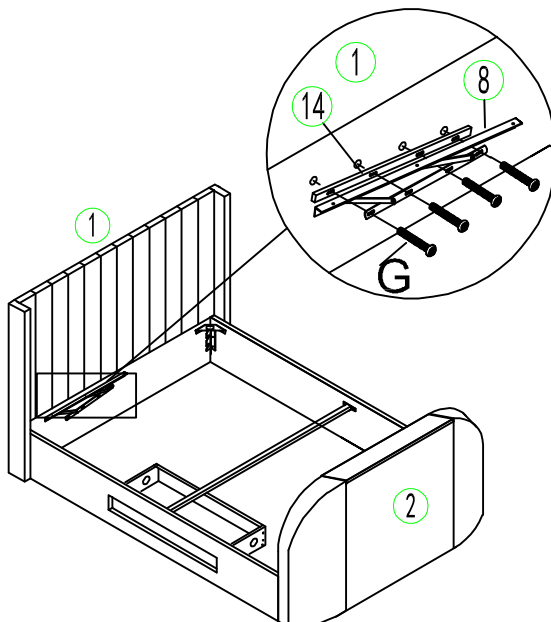
# 9

B

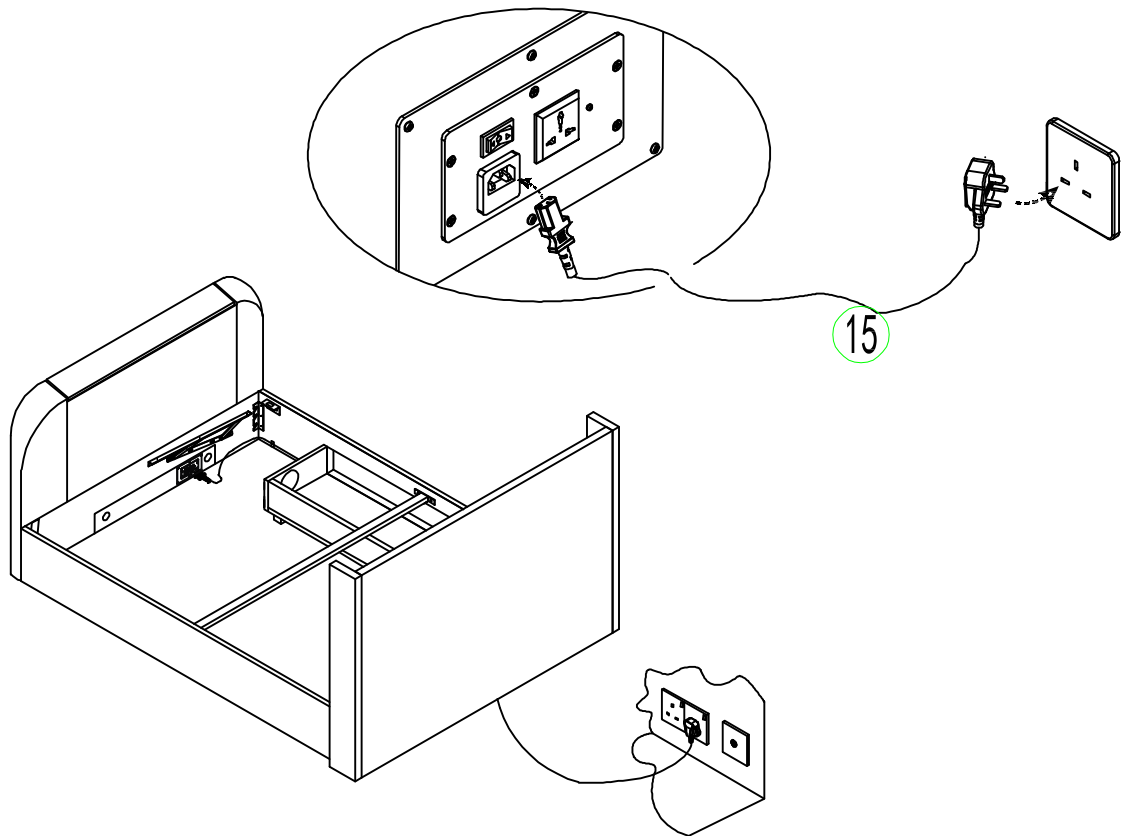
M8x55mm	M8x35mm
 G	 H
4x	4x



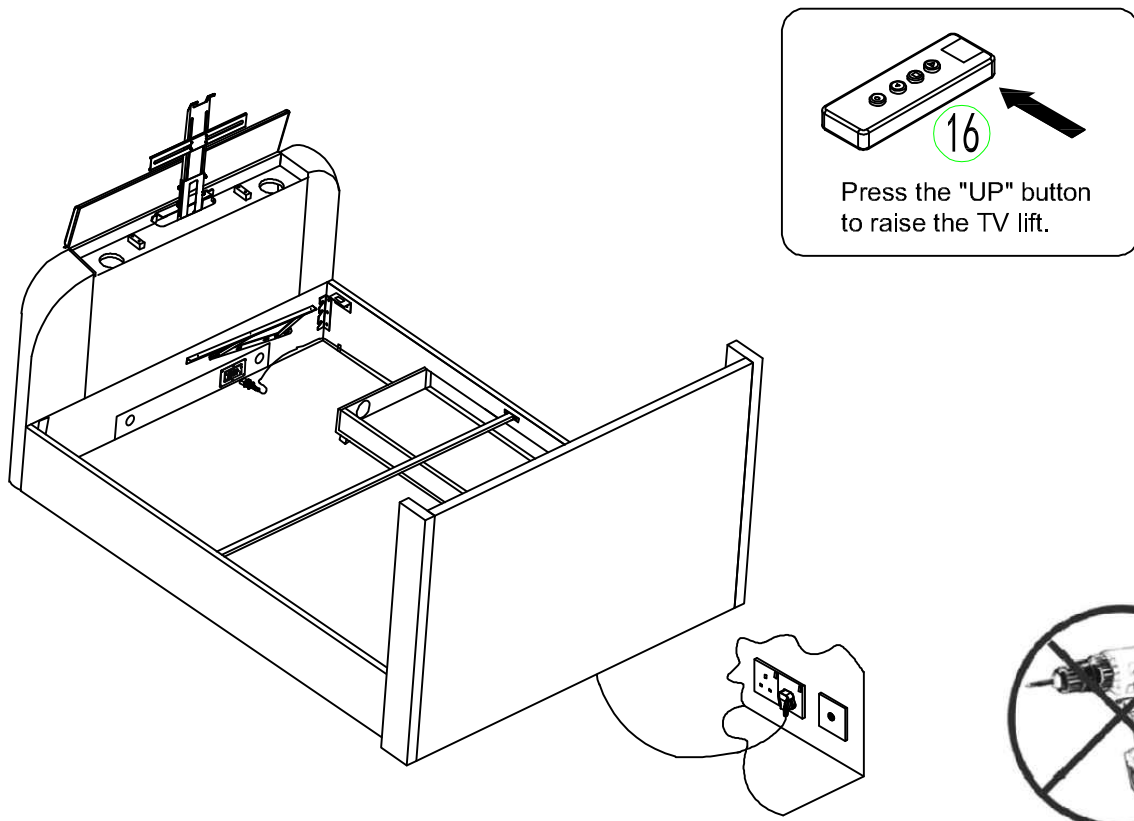
## Right side open model



# 10



# 11



# 12

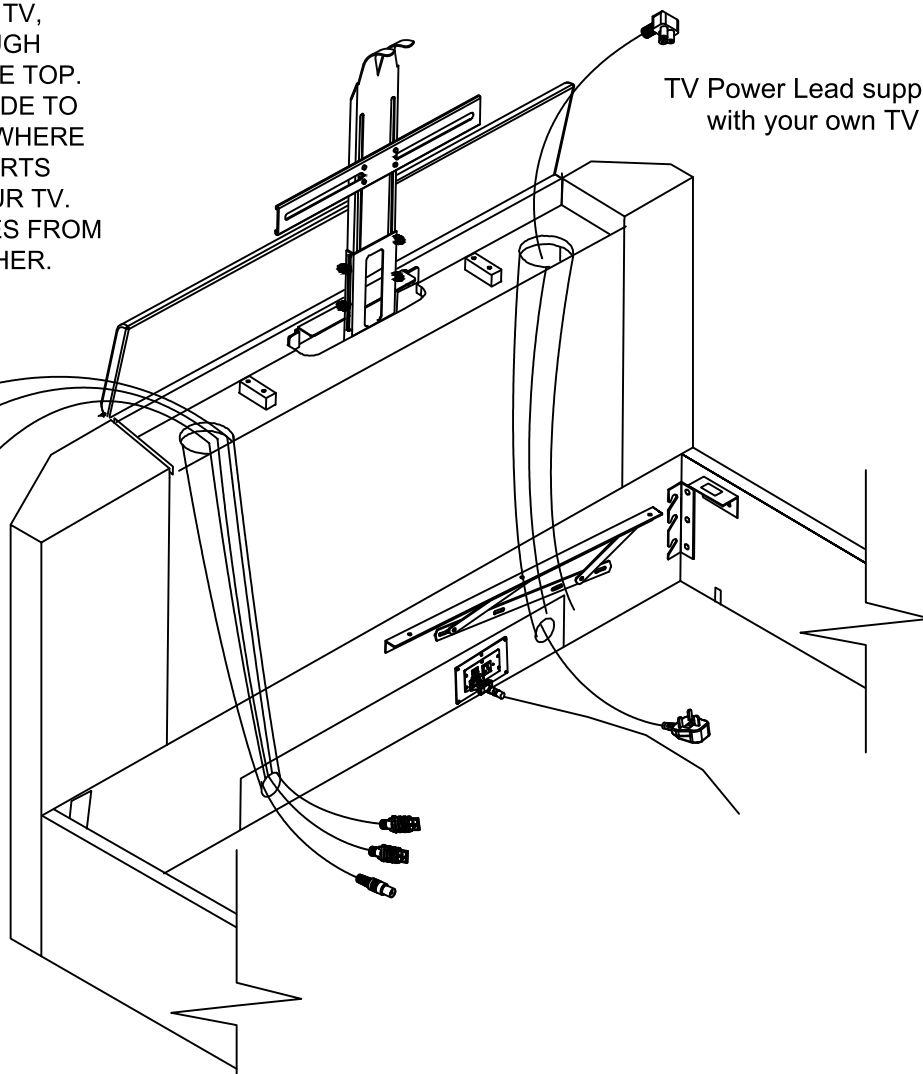
Note: For illustration purposes only, TV connections may vary.

TIP:  
BEFORE FITTING THE TV,  
PUSH CABLES THROUGH  
EACH DUCT FROM THE TOP.  
CHOOSE THE BEST SIDE TO  
USE DEPENDING ON WHERE  
THE CONNECTION PORTS  
ARE ON BACK OF YOUR TV.  
NEVER CROSS CABLES FROM  
ONE SIDE TO THE OTHER.

Leads for  
HDMI or Aerial

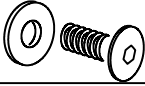

TV Power Lead supplied  
with your own TV

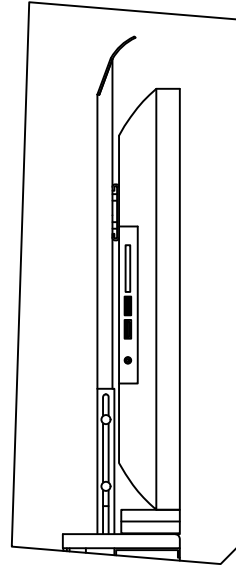
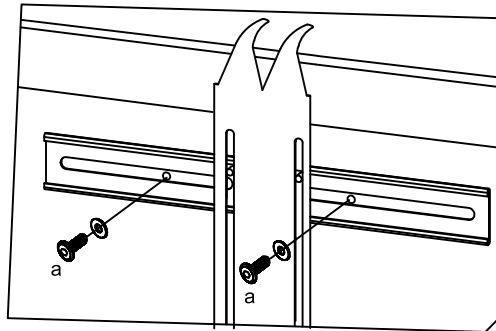
If required, please  
purchase HDMI  
leads about 3mt  
long and length of  
aerial lead to suit  
the position of your  
wall socket.



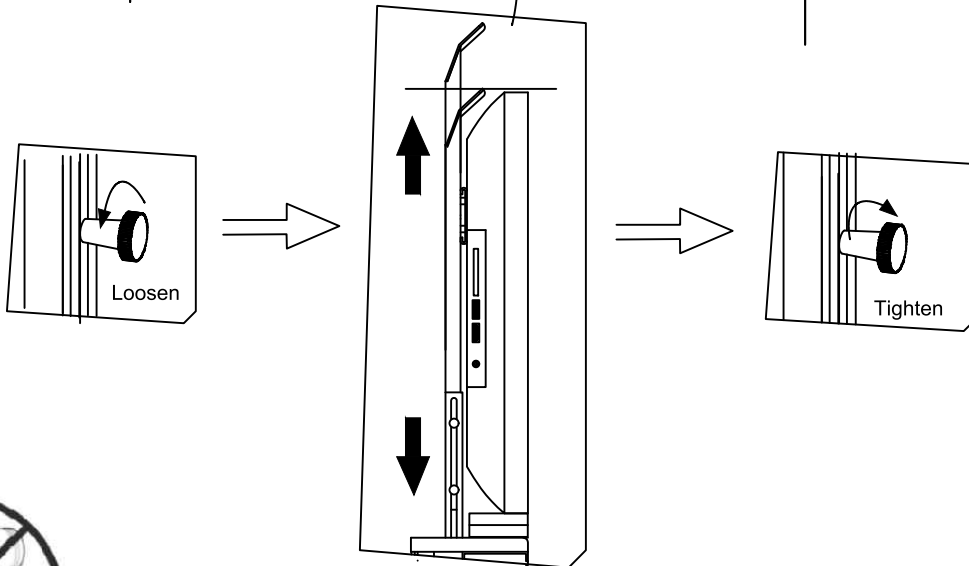
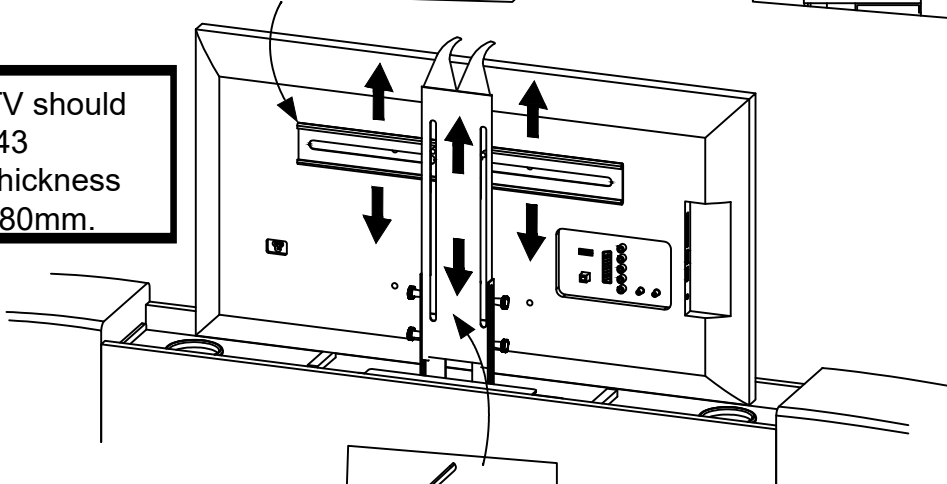
# 13

## TV INSTALLATIONKIT

a	Screw-Washer set (M8/M6/M4) Please choose the bolt which suit your TV		x2
b	Allen Key (5mm/4mm/2.5mm)		x1



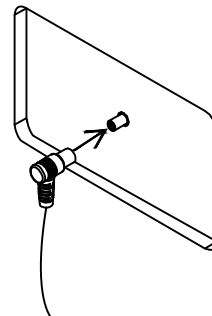
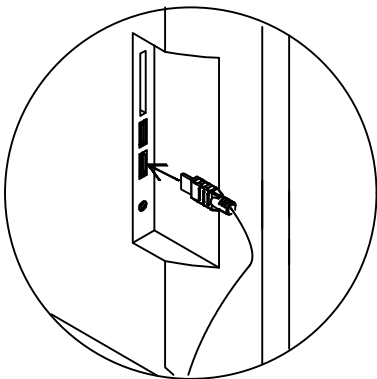
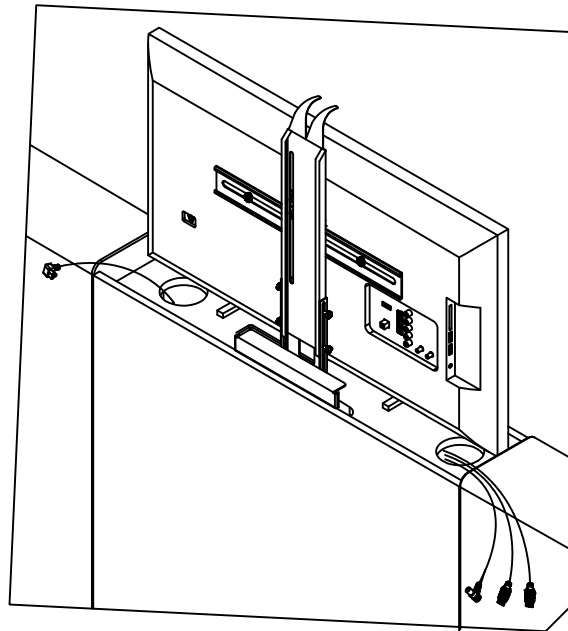
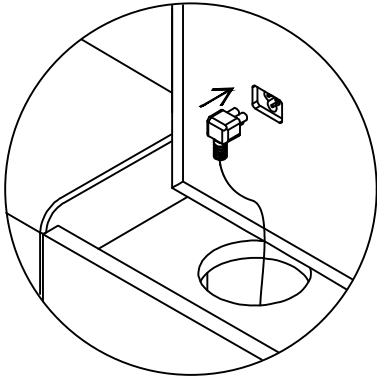
**Attention:** The TV should not bigger than 43 inches, and the thickness should not over 80mm.



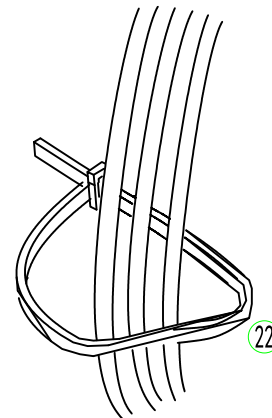
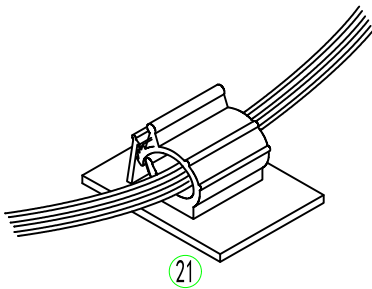
# 14

Note: For illustration purposes only, TV connections may vary.

TV power lead supplied  
with your own TV

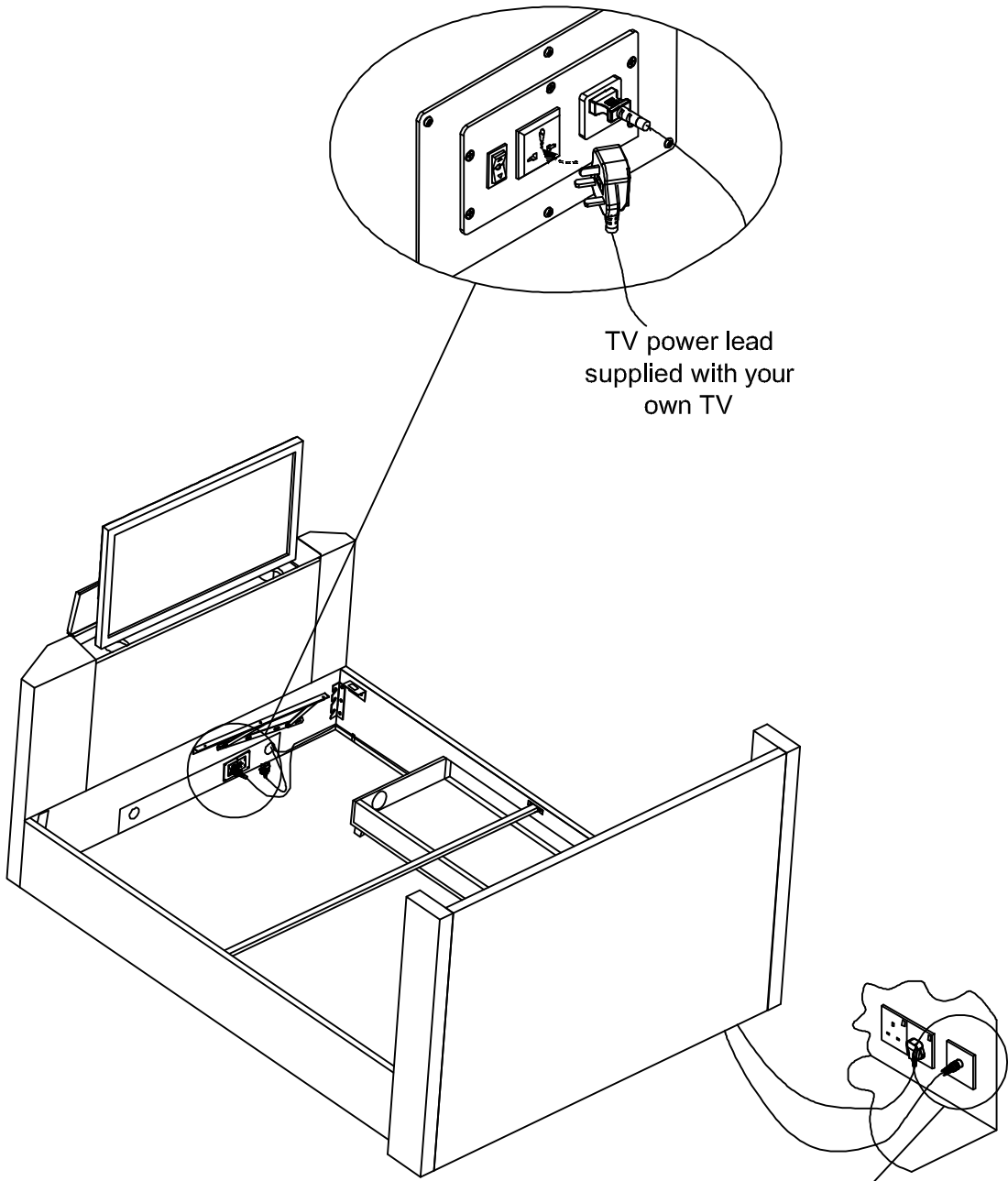


PLUG IN - KEEP ALL CABLES TIGHT  
-USE CLIPS & TIES PROVIDED.

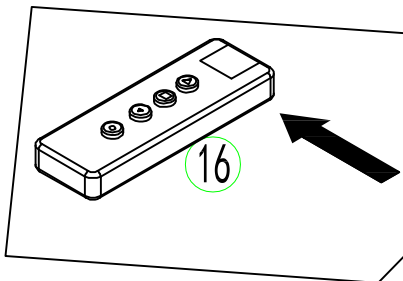


Keep wires tight - peel  
off cover from cable clips  
& adhere to back of TV.

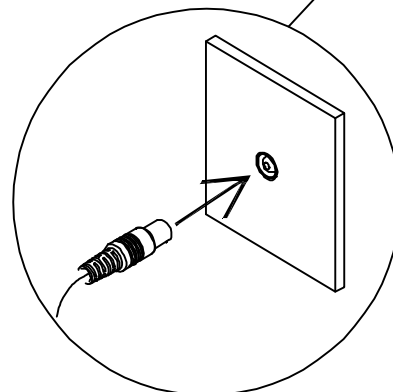
# 15



TV power lead  
supplied with your  
own TV



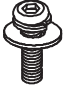


Press the "DOWN" button  
to lower the TV lift.

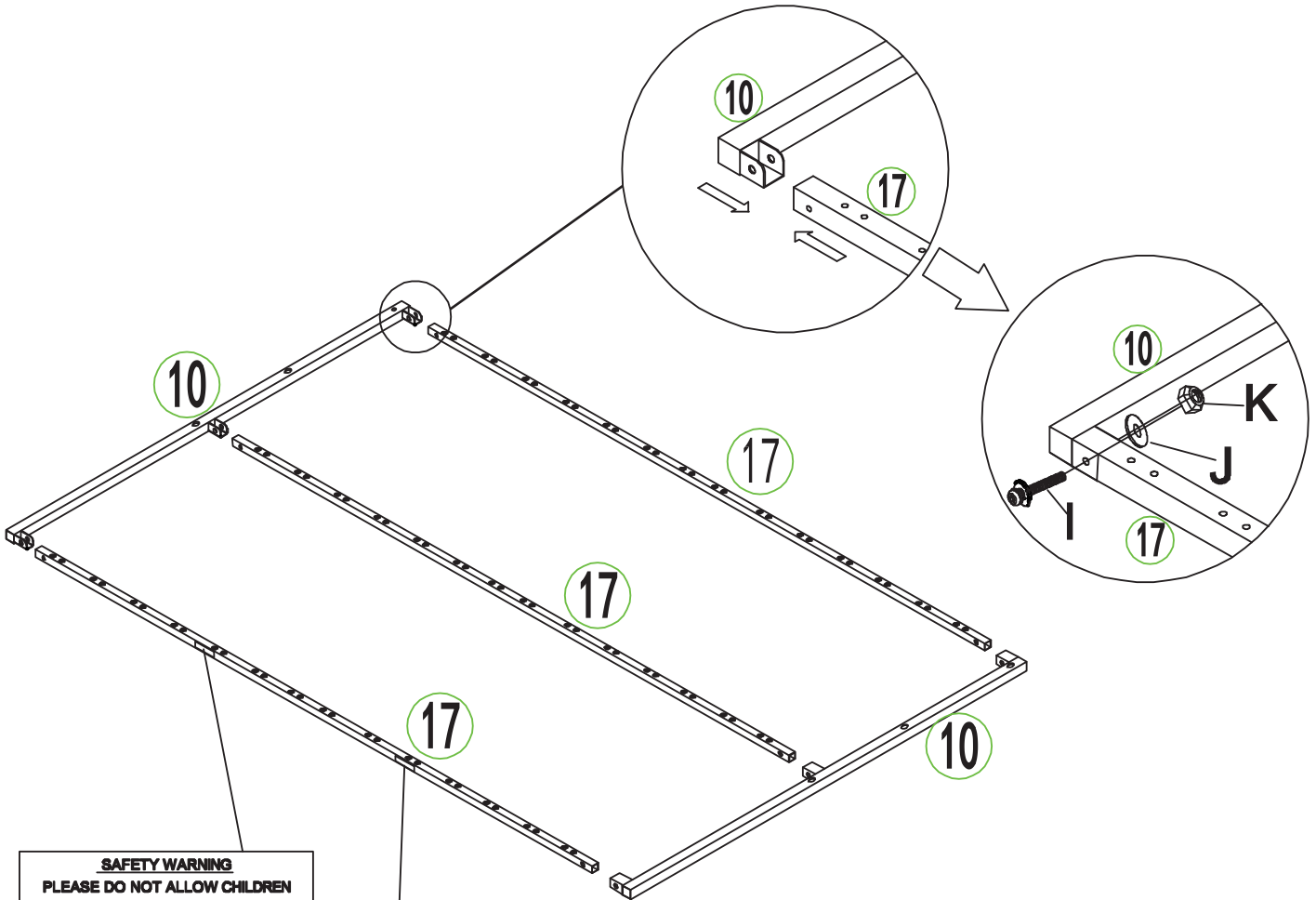


Aerial lead supplied  
by yourself if required



# 16

M8x50mm	Flat Washer	Nut
 I	 J	 K
6x	6x	6x






**SAFETY WARNING**  
PLEASE DO NOT ALLOW CHILDREN  
OR PETS INSIDE THE STORAGE AREA.

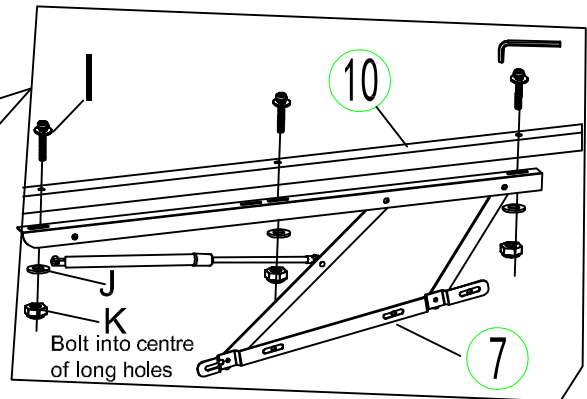
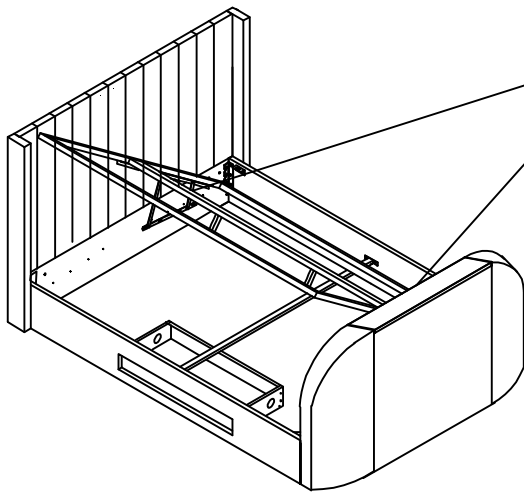
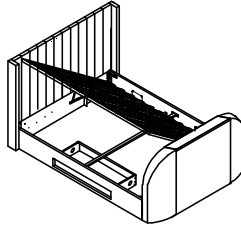
**SAFETY WARNING**  
PLEASE BE CAREFUL WHEN LIFTING.  
ONLY LIFT WITH MATTRESS ON TOP.  
TO BE OPERATED BY ADULTS ONLY.



# Left side open model




# 17<sub>A</sub>

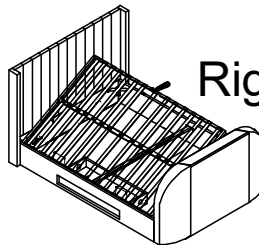
M8x50mm	Flat Washer	Nut
 I	 J	 K
6x	6x	6x



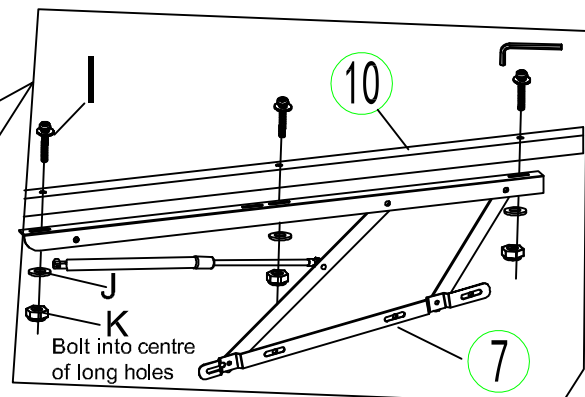
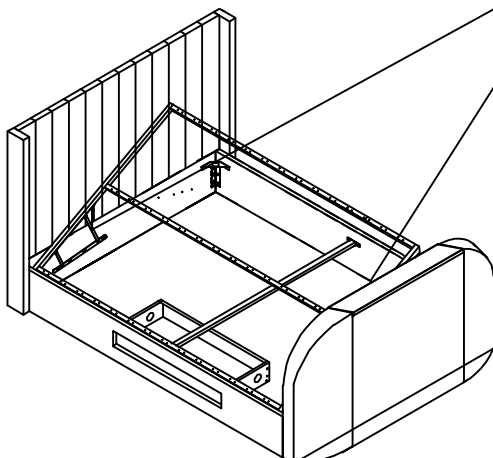
x2

# 17<sub>B</sub>

M8x50mm	Flat Washer	Nut
 I	 J	 K
6x	6x	16x





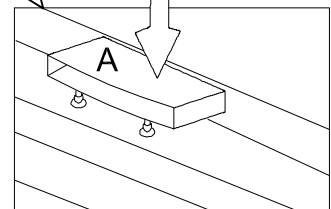
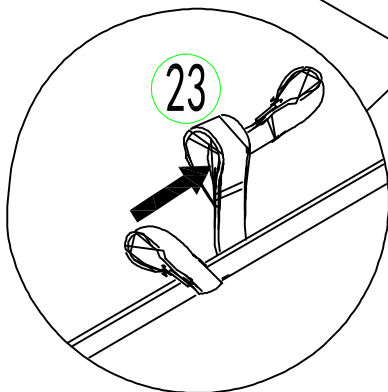
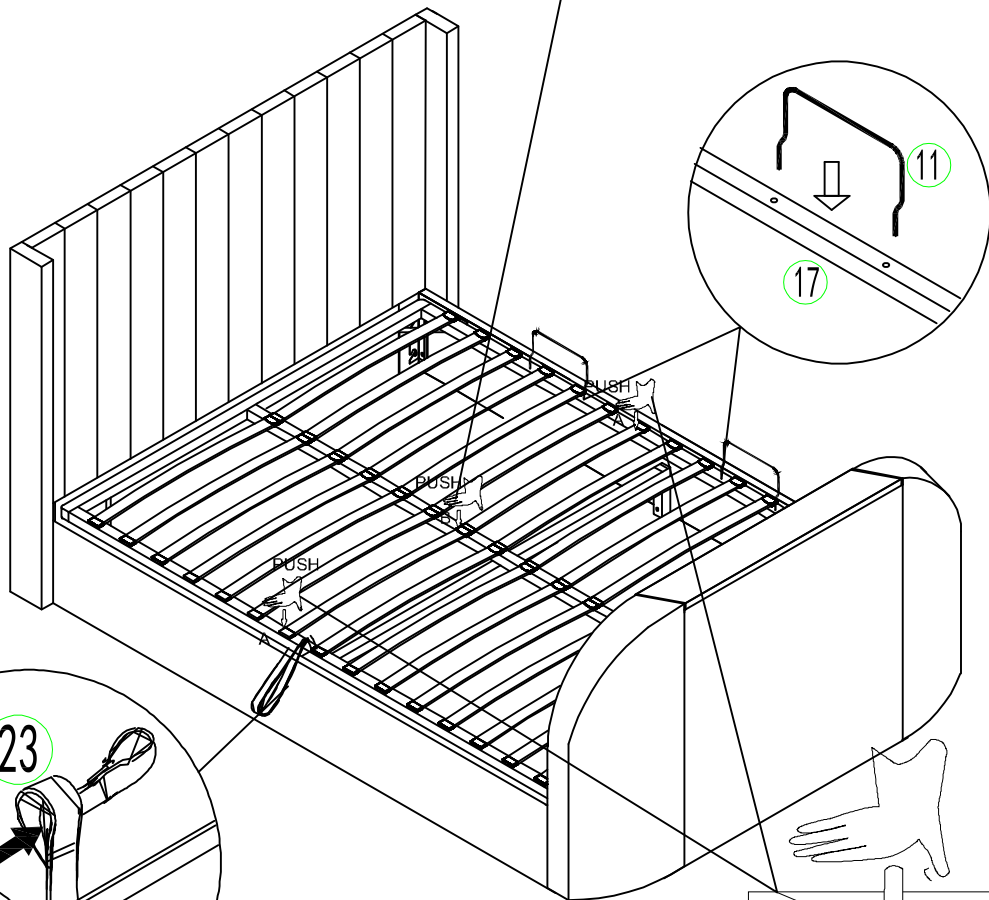
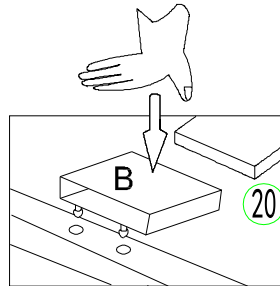
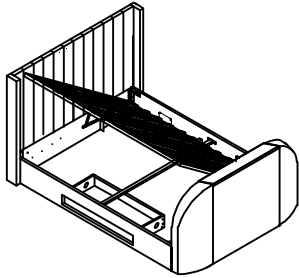
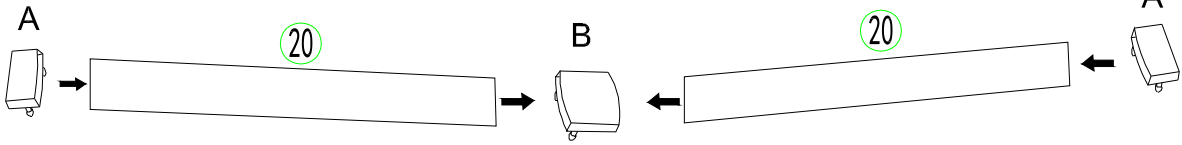
# Right side open model




x2

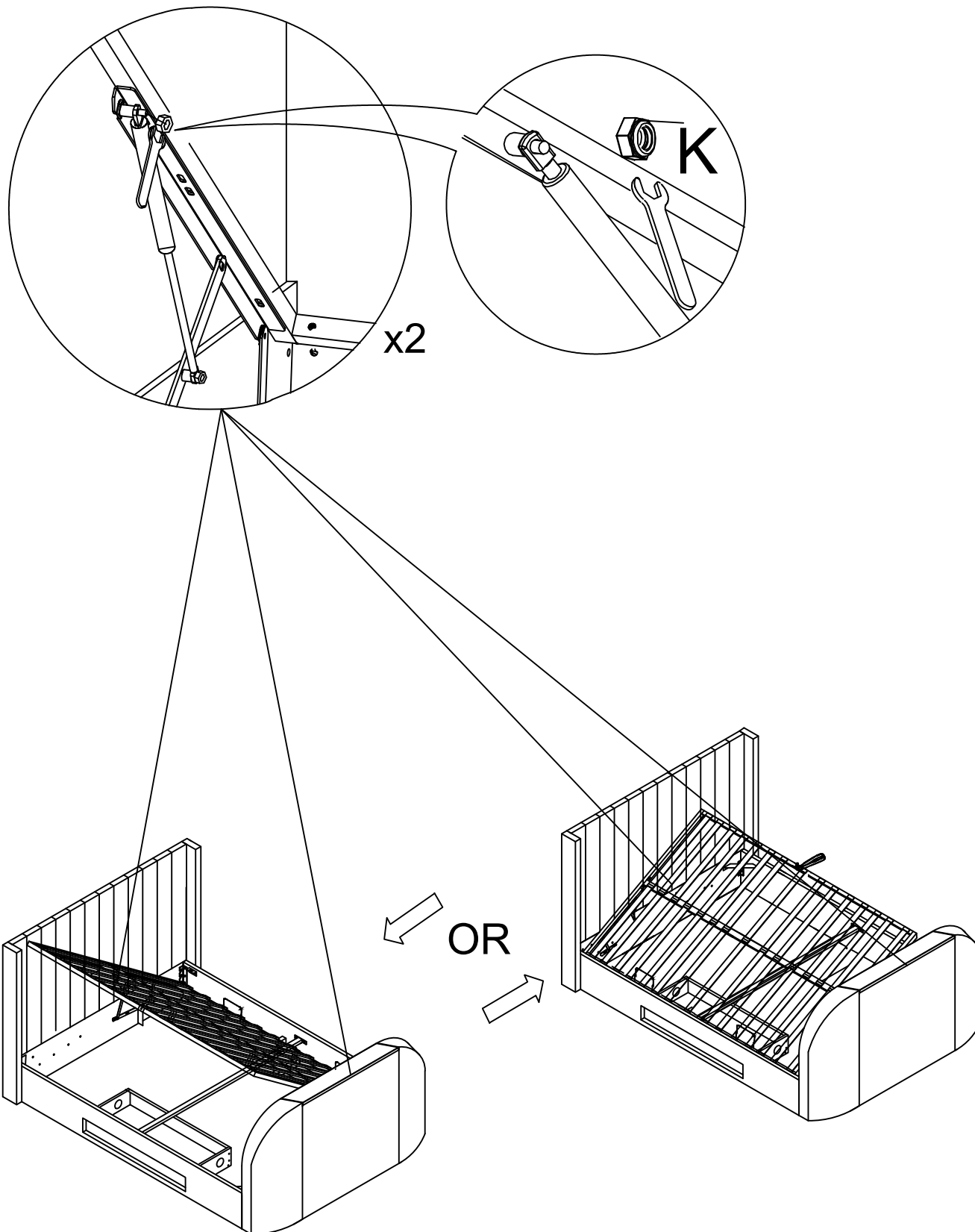
# 18

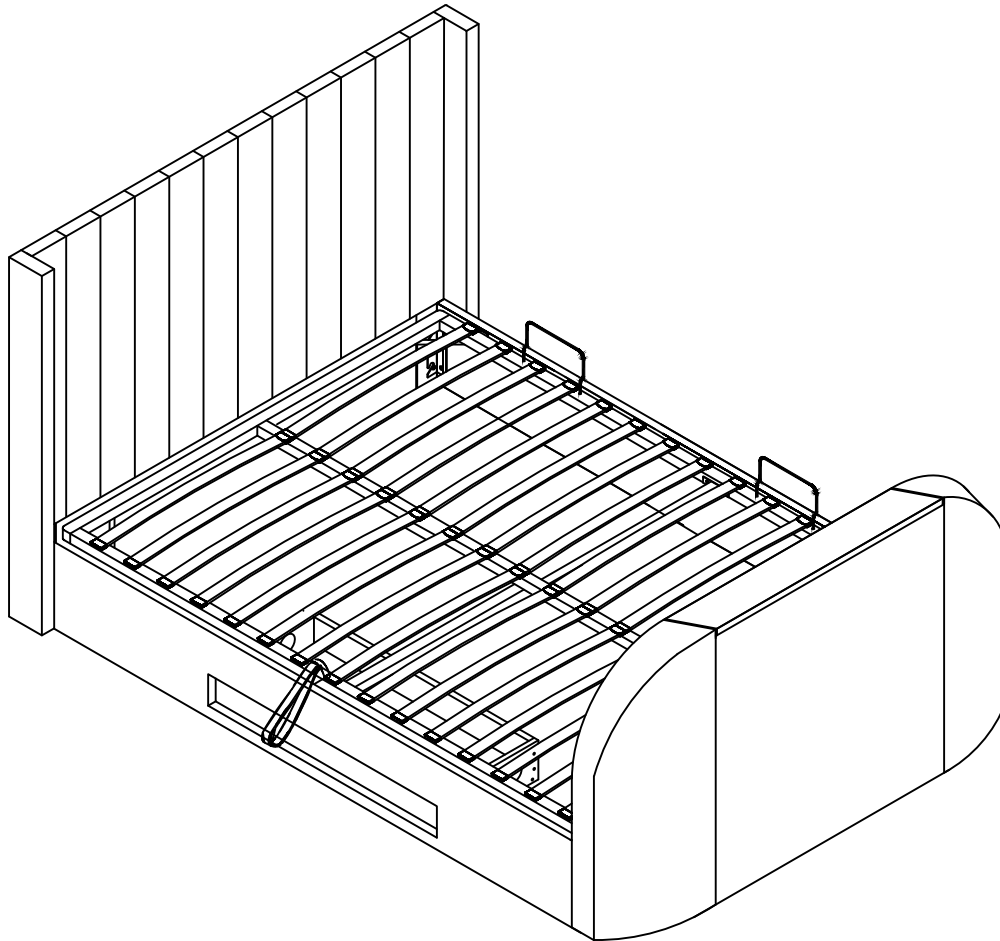
 A	 B
32x	16x



# 19

Nut
 K
4x





## GENERAL CARE & MAINTENANCE

We advise that when cleaning the product that a damp cloth is used.

Avoid the use of all household cleaners and abrasive.

Never push or drag the furniture.

Never attempt to move the furniture when fully loaded.

We advise that periodically all fixing are re-tightened.