

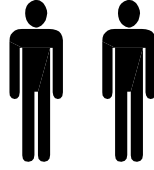
ASSEMBLY INSTRUCTIONS

IMPACT GAMING BUNK

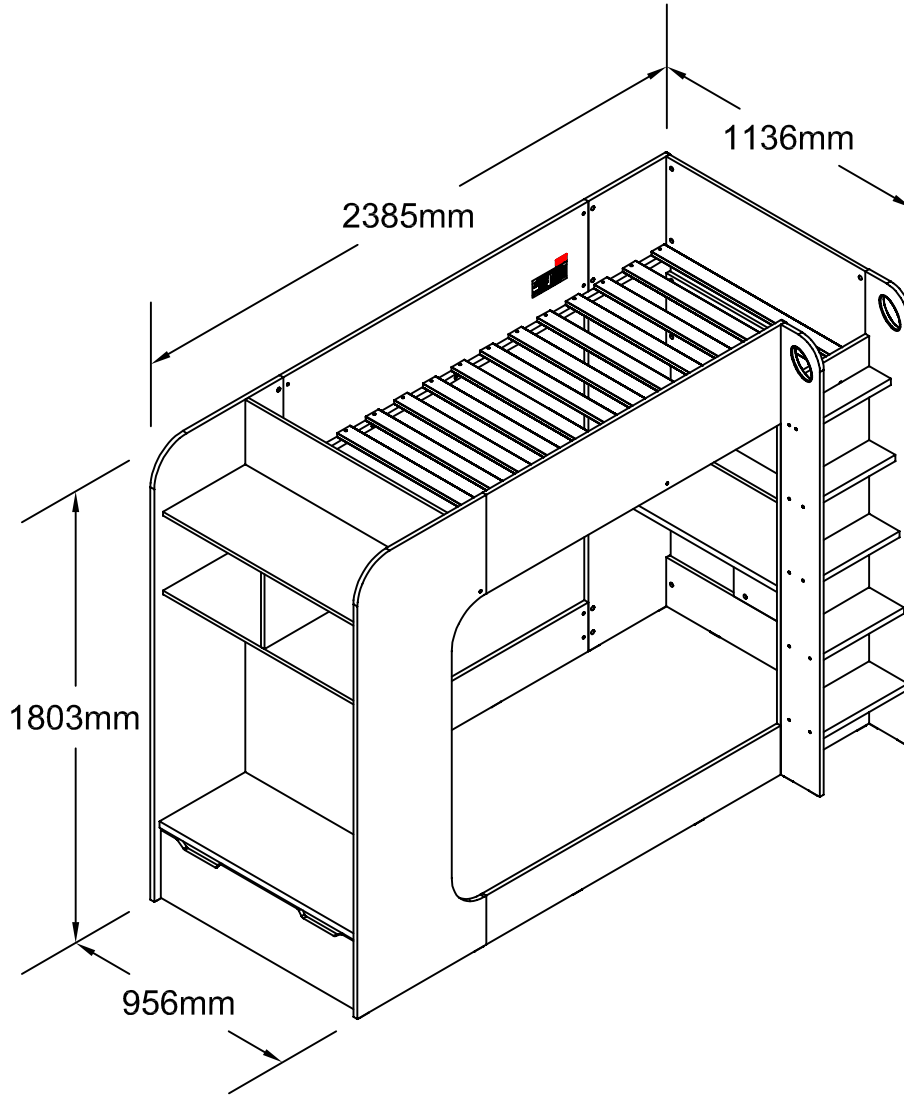
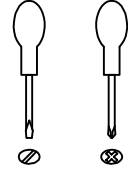
Approximate Assembly Time



People Required to Assemble



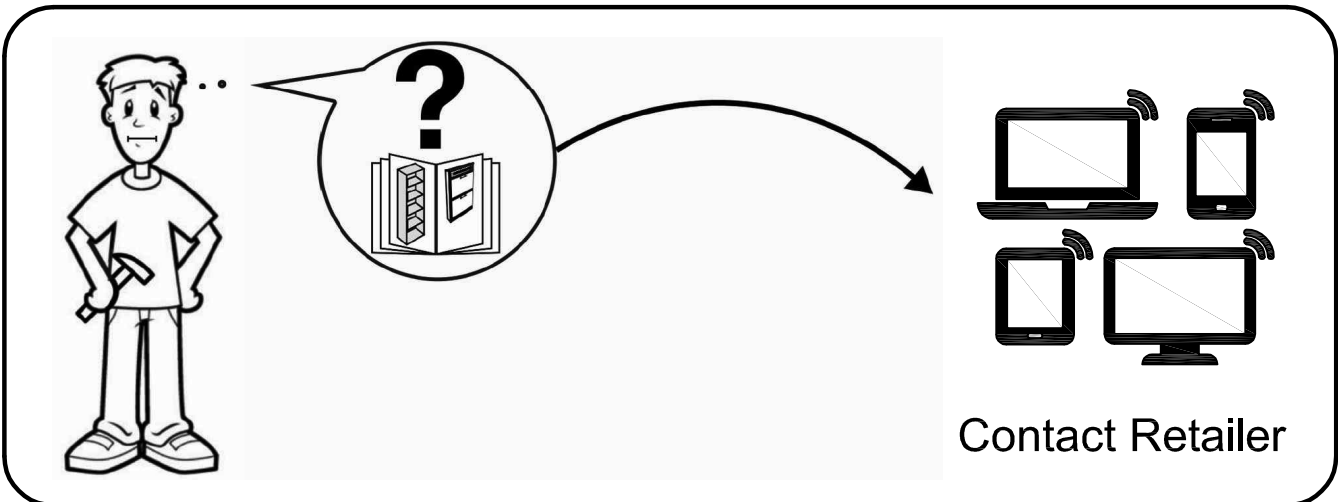
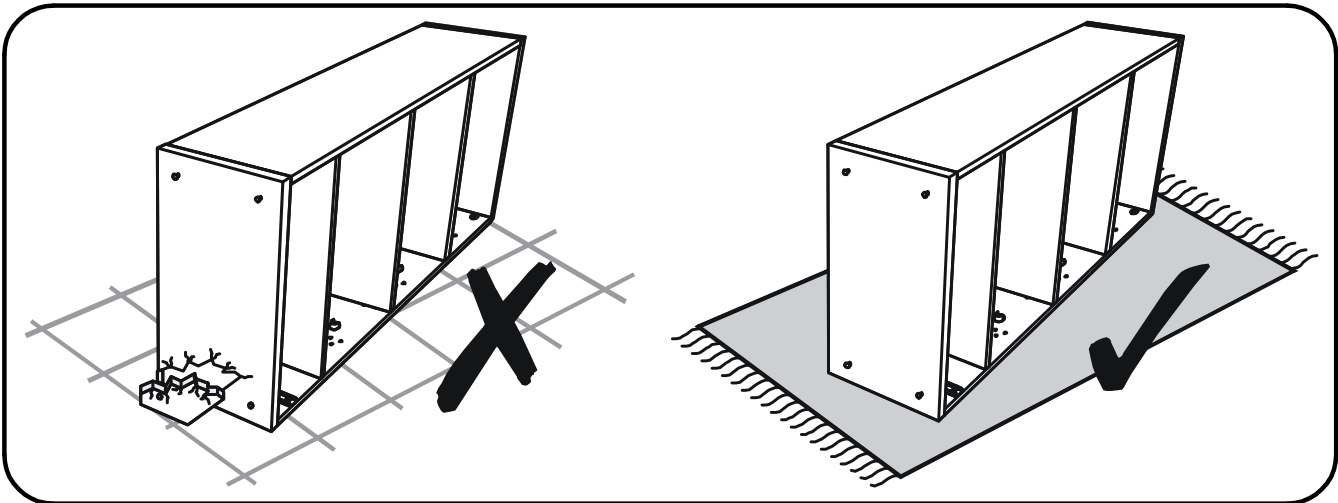
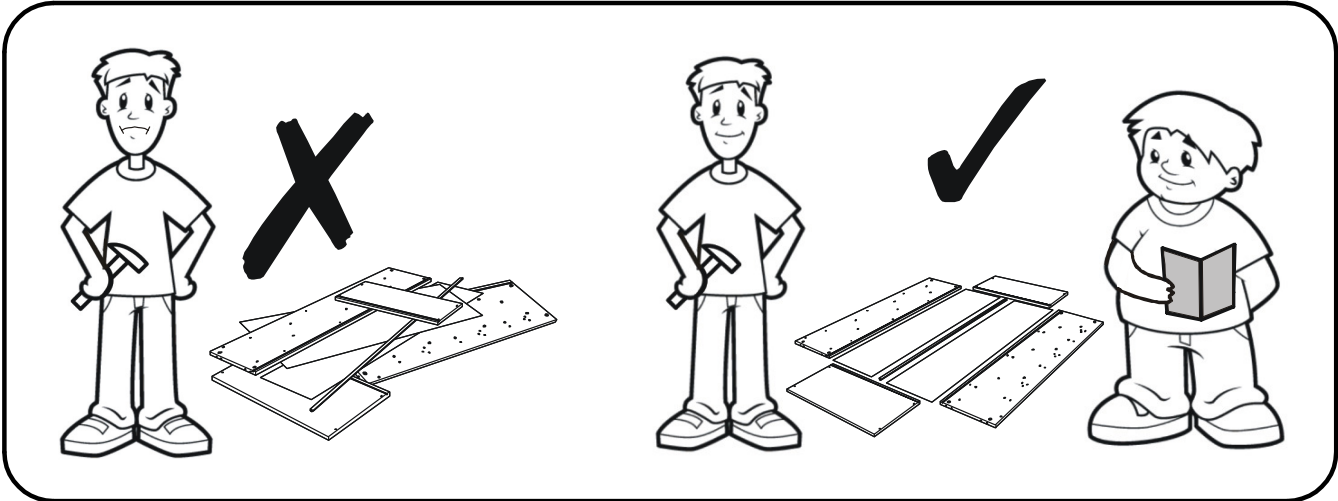
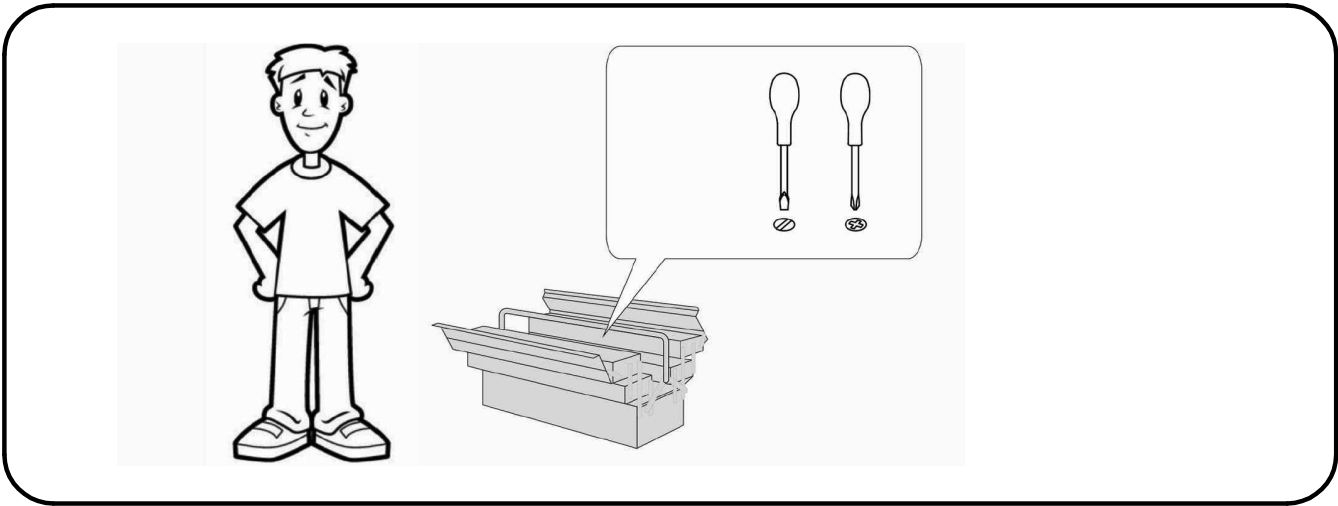
Tools Required



Before your start...

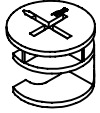
Please carefully unpack and lay out all of the component parts to ensure nothing is missing and to check each component for any obvious damage.

Should you identify any concerns at this stage please contact the retailer from whom this product was purchased. Please quote your order number, details of your issue, the product code, and the batch number from the cartons which will help to resolve your issue as quickly as possible.



Please check all hardware matches the list below. Should you notice any are missing please contact your retailer.

(A)



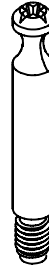
Cam
92PCS

(B)



Cam Stud
78PCS

(C)



Contractfix Dowel
14PCS

(D)



M8 x 25mm
94PCS

(E)



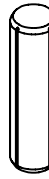
M4 x 45mm
7PCS

(F)



M3.5 x 14mm
8PCS

(H)



M8 x 30mm
18PCS

(K)



M6 x 13mm
37PCS

(L)



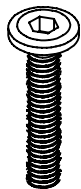
M6 x 55mm
23PCS

(M)



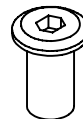
M6 x 35mm
10PCS

(N)



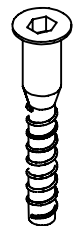
M6 x 30mm
30PCS

(P)



M6
6PCS

(V)



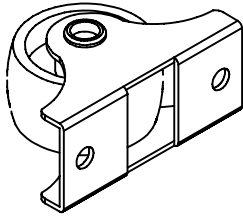
M6 x 40mm
2PCS

We strongly advise that you do not use Power Tools, such as drills or electric screwdrivers during the assembly as this may cause irreparable damage and will invalidate your warranty.



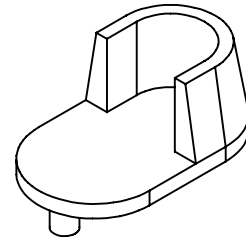
Please check all hardware matches the list below. Should you notice any are missing please contact your retailer.

G



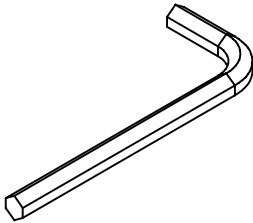
Caster
4PCS

J



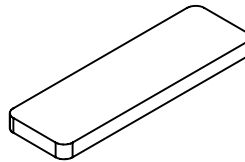
Bracket
2PCS

Q



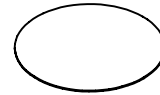
M4
2PCS

R



Felt Pads
20PCS

S



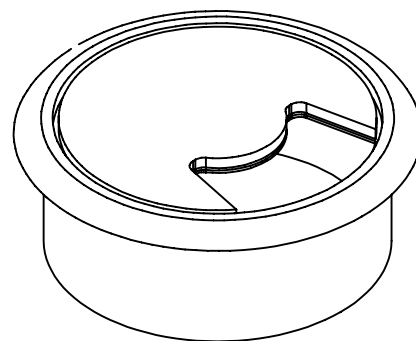
Sticker
56PCS

T



Hole Plug 10mm
2PCS

U

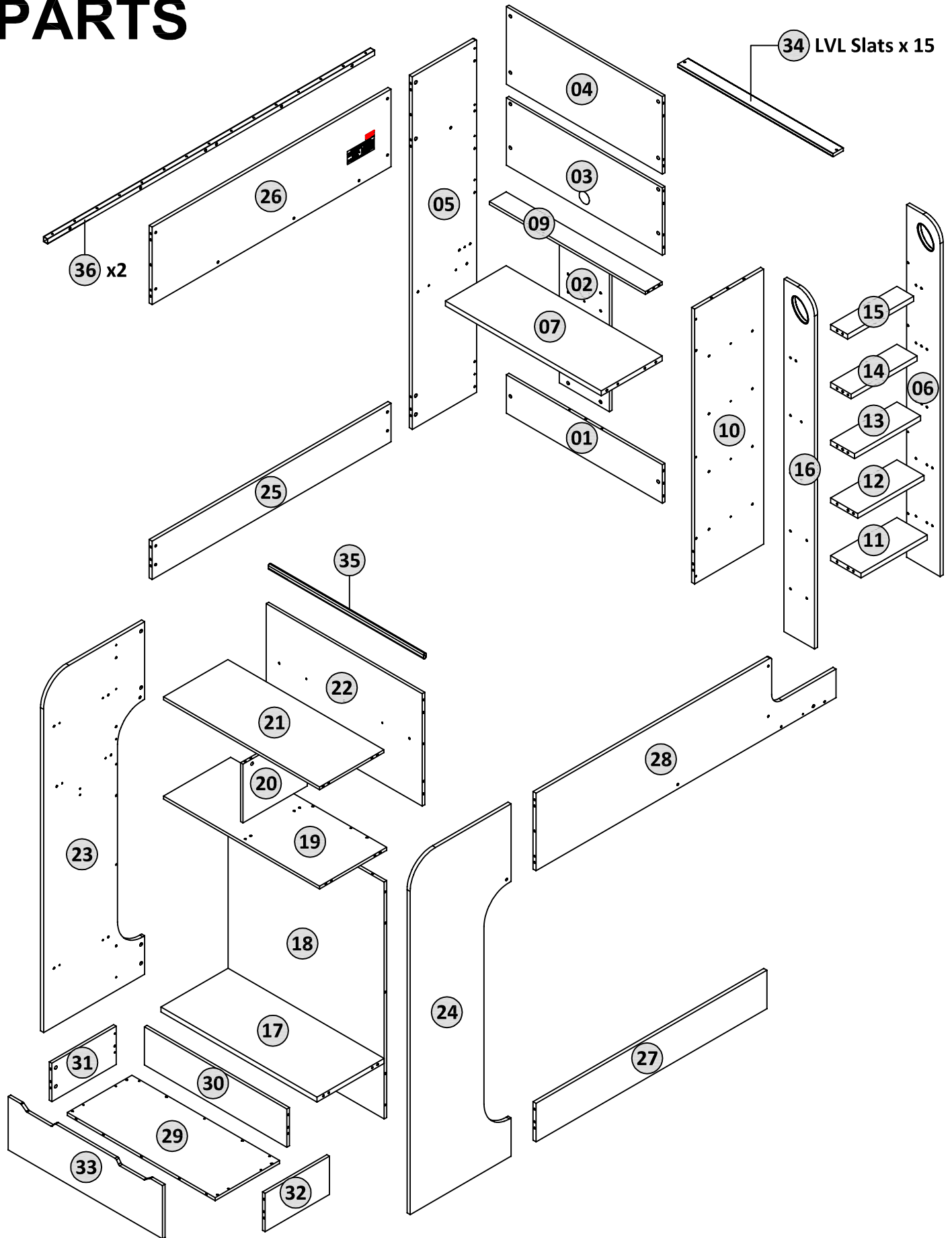


PVC Cap
2PCS

We strongly advise that you do not use Power Tools, such as drills or electric screwdrivers during the assembly as this may cause irreparable damage and will invalidate your warranty.



PARTS



Please ensure you carefully check all the pieces, should you have any concerns please contact the retailer before assembly commences. Please have your order number, details of the issue, the product code, and the batch number from the cartons as this will help us to resolve your issue much faster.

IMPORTANT INFORMATION

WARNING - High Beds and the upper bed of bunk beds are not suitable for children under six years due to the risk of injury from falls.

WARNING - Bunk beds and high beds can present a serious risk of injury from strangulation if not used correctly. Never attach or hang items to any part of the bunk bed that are not designed to be used with the bed, for example, but not limited to ropes, st rings, cords, hooks, belts and bags.

WARNING - Children can become trapped between the bed and the wall, a roof pitch, the ceiling, adjoining pieces of furniture (e.g.cupboards) and the like. To avoid risk of serious injury the distance between the top safety barrier and the adjoining structure shall not exceed 75mm or shall be more than 230mm.

WARNING - Do not use the bunk bed / high bed if any structural part is broken or missing. It is recommended that you always follow the manufacturer's instructions to assemble this product.

Always follow the manufacturer's recommended mattress size, as per these instructions and the bunk bed / high bed maximum mattress height marking on the item:

Recommended Mattress Size: 90cm x 190cm (UK Single) with Maximum Depth of 17.0cm

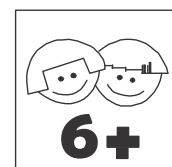
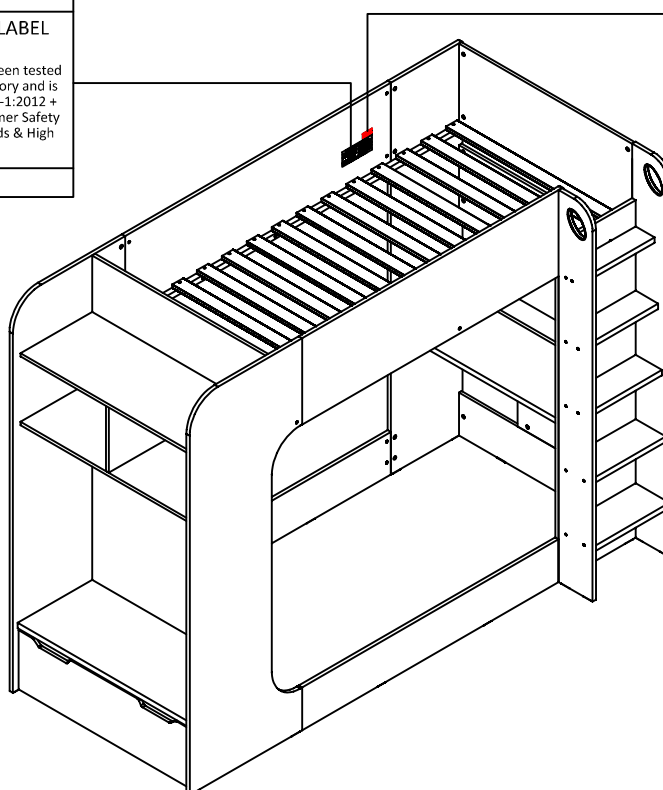
It is necessary to frequently ventilate the room in order to keep the humidity low and to prevent mold in and around the bed.

Please periodically check all the fixings of the item and re-tighten when necessary.

This item conforms to European Safety Standards - BS EN 747-1: 2012 + A1: 2015.

THIS LABEL IS NOT TO BE REMOVED	
IMPACT GAMING BUNK Product Code - IMP001 / IMP002 Distributed by : Julian Bowen Limited Bentnck House, Park Lane Business Park, Kirkby-in-Ashfield, Notts, NG17 9LE Factory ID: Manufactured in Malaysia Date of Manufacture: October 2019	CERTIFICATION LABEL This bunk bed model has been tested by an independent laboratory and is in compliance with EN 747-1:2012 + A1:2015 - Standard Consumer Safety Specification For Bunk Beds & High Beds
WARNING: This bed is not suitable for children under 6 years.	

IMPORTANT SAFETY WARNING!
DO NOT PLACE THE MATTRESS ABOVE THE LINE MARKED ABOVE AND DO NOT REMOVE THIS LABEL



Safety Advice

Please take the time to carefully read through the whole of these instructions before you commence.

Keep these instructions for future reference.

Unpack, inspect and check off all of the contents.

Please dispose of all packaging safely.

Small component parts could choke a child if swallowed.

We strongly recommend that you keep children well away from the work area.

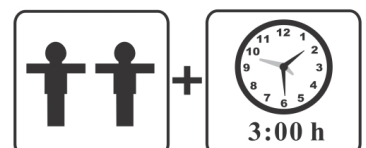
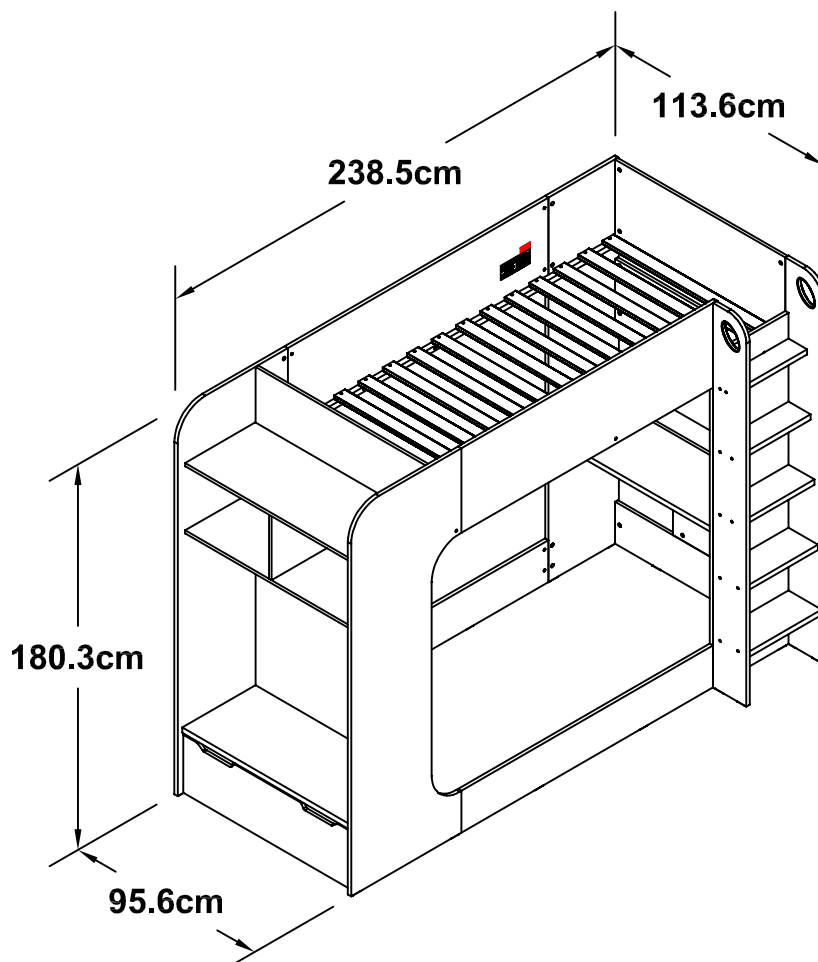
It would be sensible to lay a sheet or blanket on the floor where you intend to work to avoid scratching this product and to protect your floor.

This product is heavy. Take extreme care when lifting to avoid personal injury or damage to the product.

Assemble the product as close to its intended final position in the room as possible.

HANDY HINT: If you keep the hardware in a bowl during assembly you will be less likely to lose them.

We strongly urge that you do not use Power Tools, such as drills or electric screwdrivers during this assembly as this could cause irreparable damage to your product and will invalidate the warranty.



ASSEMBLY ADVICE

Please take the time to carefully read through these instructions before you commence.

Keep these instructions for future reference.

We advise that the product is assembled in the room it is intended for.

We advise that you keep the hardware in a bowl during assembly to avoid losing anything.

We strongly recommend that you keep children away from the work area.

Small component parts could choke a child if swallowed.

We recommend you use a sheet or blanket to protect both floor and product through the assembly stages.

This product is heavy, and we recommend a 2 person lift to avoid personal injury or damage to the product.

Never push or pull the product as this could cause both personal injury or irreparable damage to product or floor.

We have tried to make this piece of furniture easy to assemble if the instructions are followed carefully.

In the unlikely event that you have problems with assembling the product or have missing or damaged parts, please contact your retailer and we will assist them in rectifying the problem as quickly as possible.

Please remember we strongly urge you **DO NOT** use power tools such as drill or electric screwdrivers as this could cause irreparable damage to your product and will invalidate your warranty.



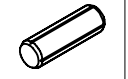
1



A x 18



B x 6



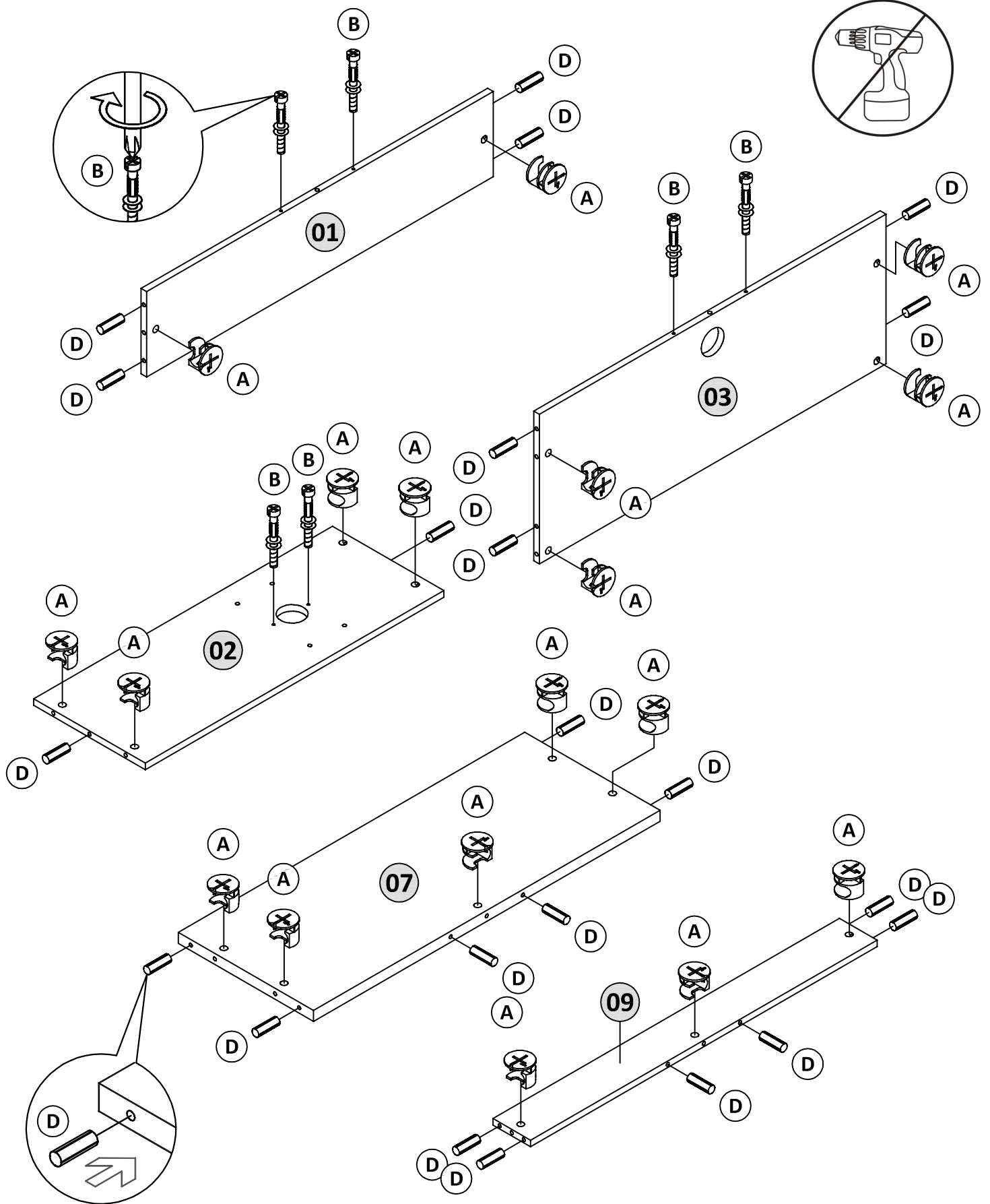
D x 22

WHEN FITTING CAM STUD
ENSURE THE CAM STUD IS FULLY TIGHTEN IN

CORRECT WRONG

WHEN FITTING CAMS
ENSURE STARTING POSITION IS CORRECT
BEFORE YOU INSERT CONNECTING BOLT
TURN CLOCKWISE UNTIL SECURE

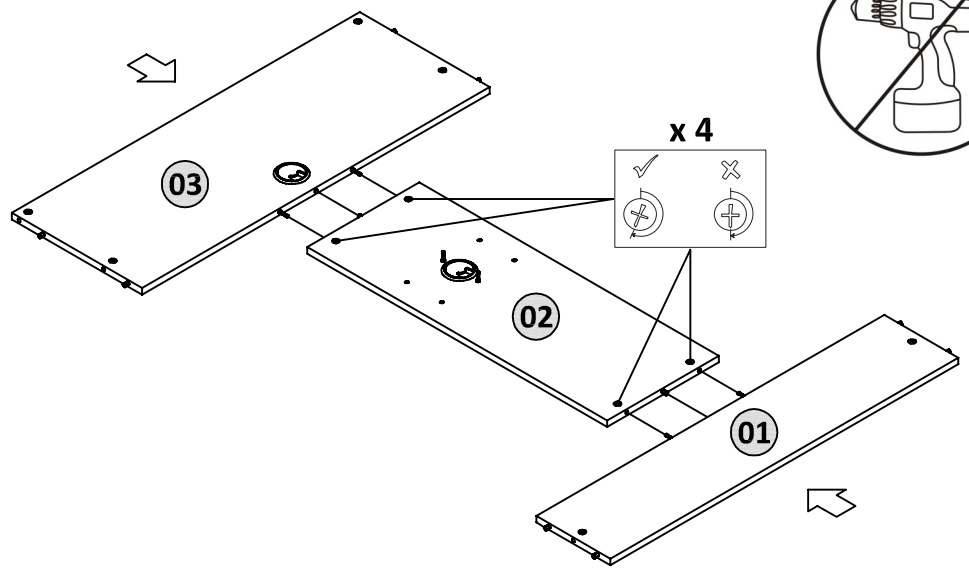
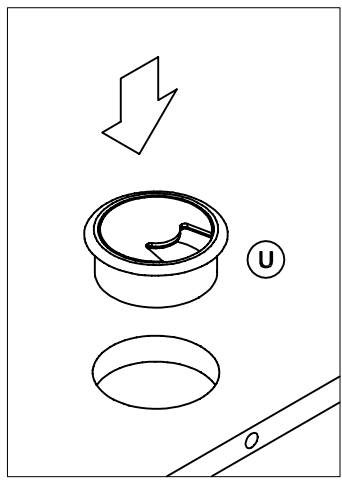
CORRECT WRONG



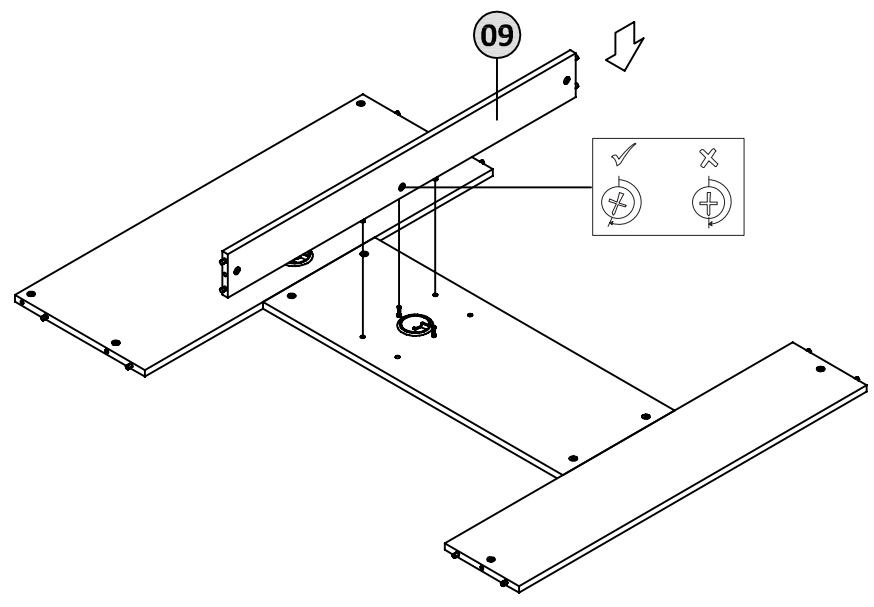
2



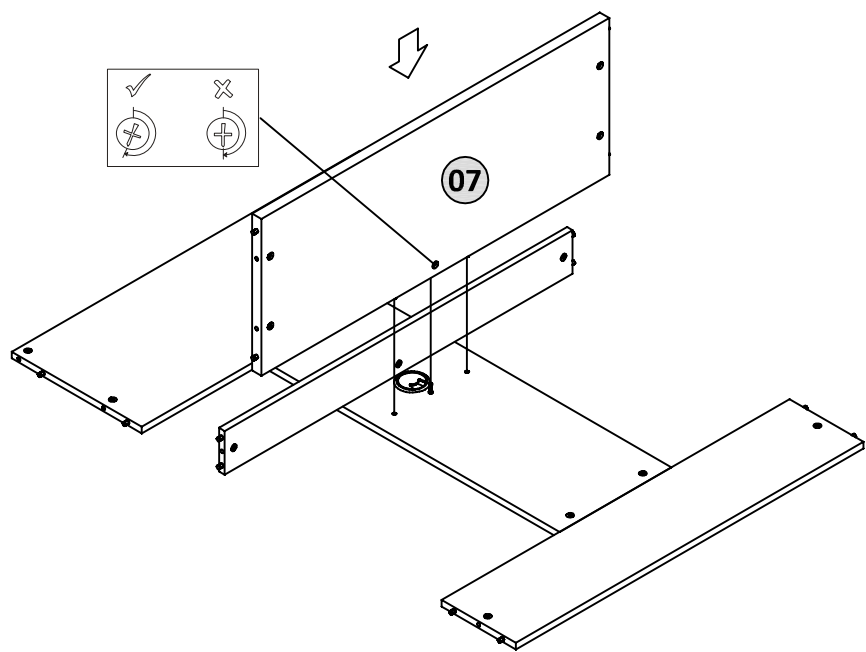
U x 2



3



4



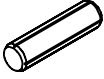
5



A x 8



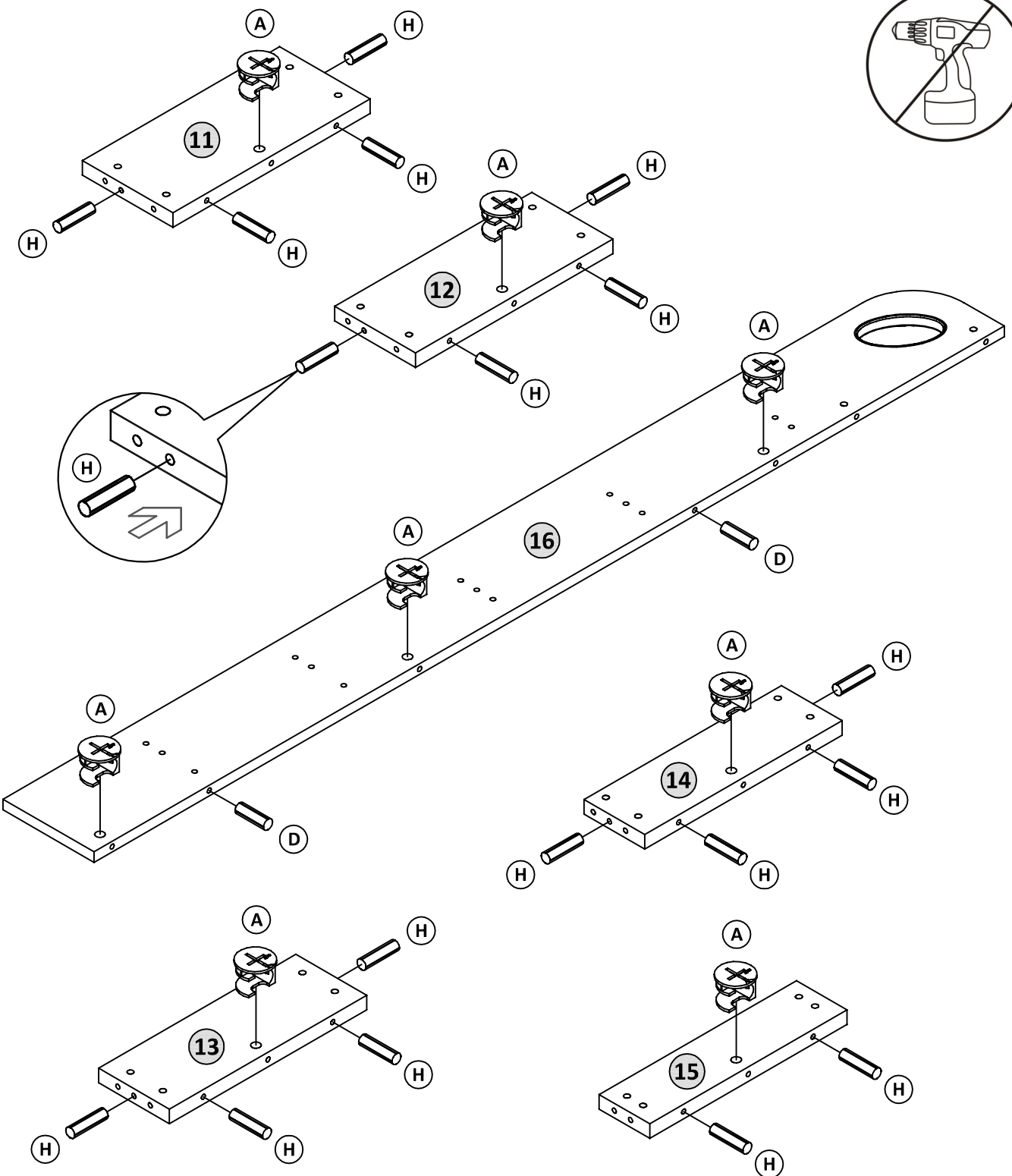
D x 2



H x 18

WHEN FITTING CAMS
 ENSURE STARTING POSITION IS CORRECT
 BEFORE YOU INSERT CONNECTING BOLT
 TURN CLOCKWISE UNTIL SECURE

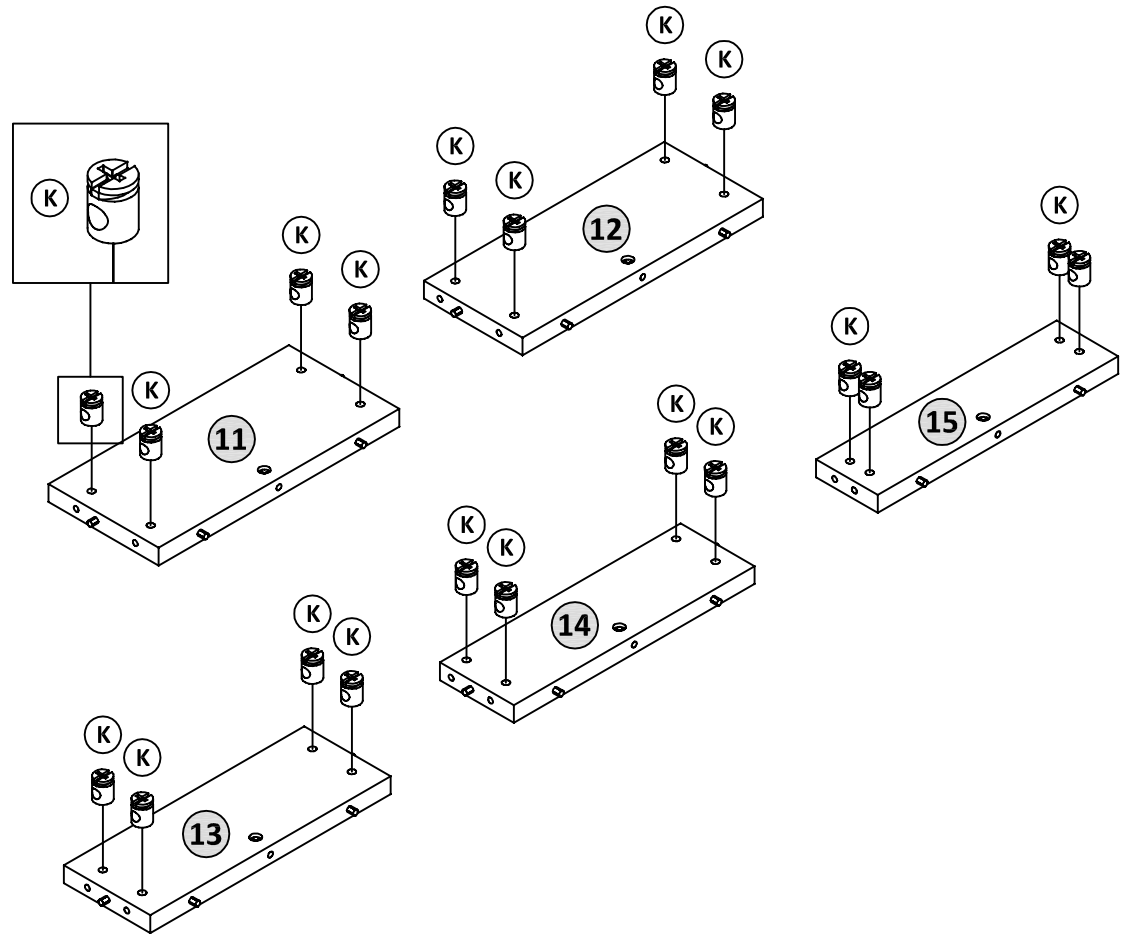
✓ ✗
 ↑
 CORRECT WRONG



6



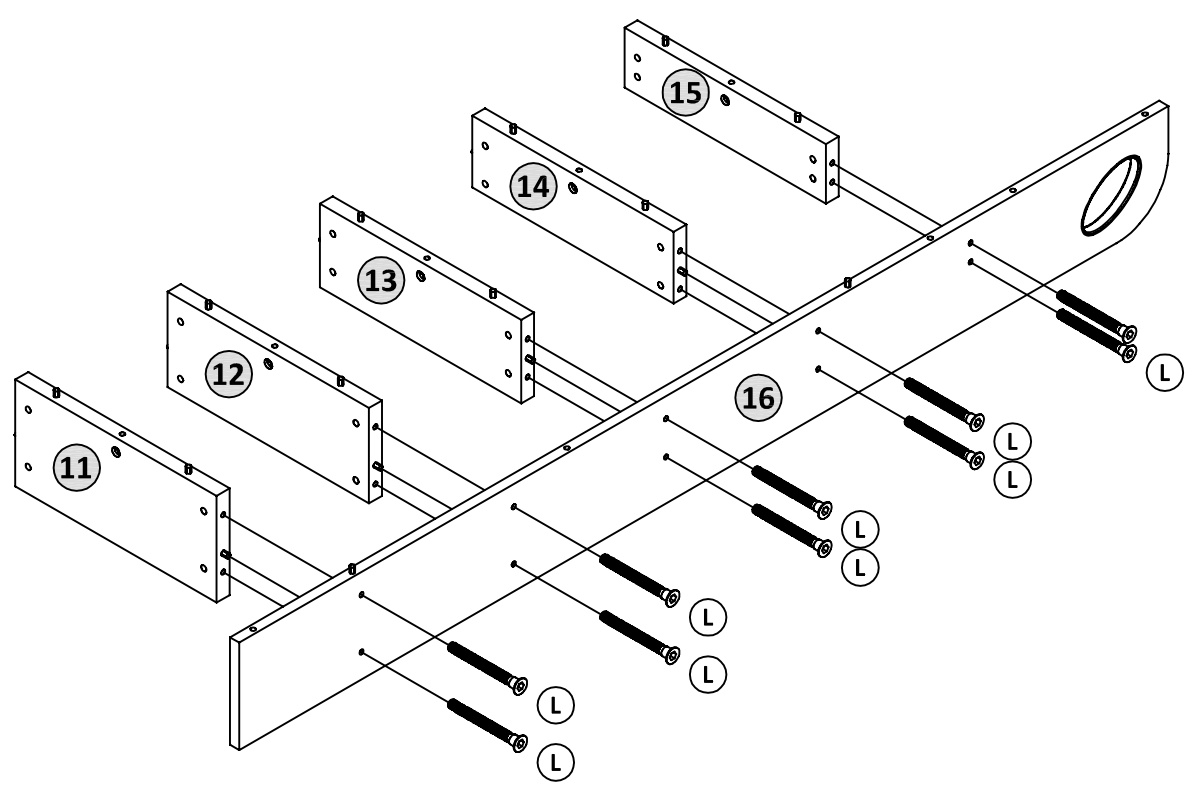
K x 20



7



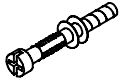
L x 10



8



A x 14



B x 23



D x 13

WHEN FITTING CAM STUD

ENSURE THE CAM STUD IS FULLY TIGHTEN IN

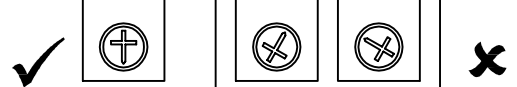


CORRECT

WRONG

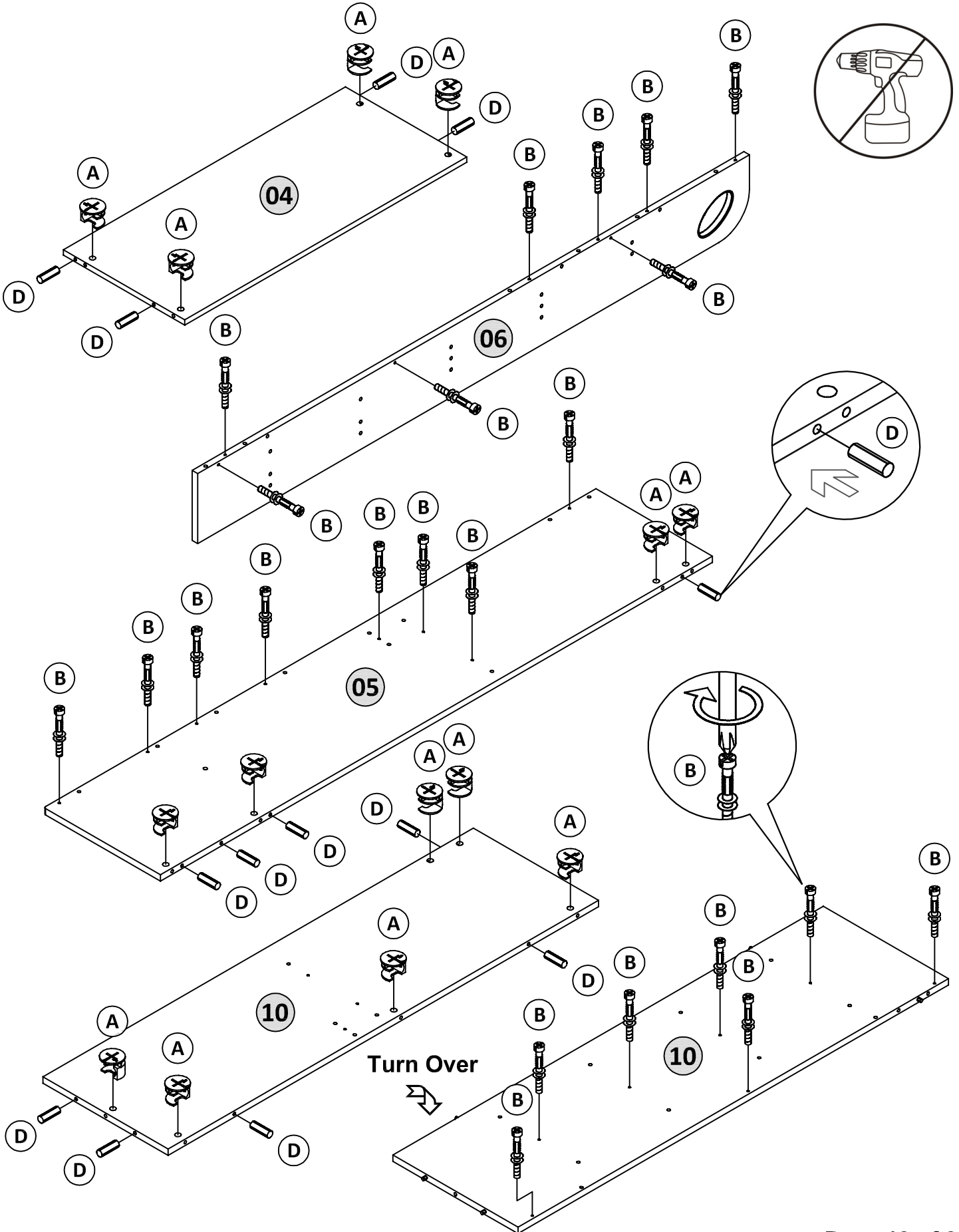
WHEN FITTING CAMS

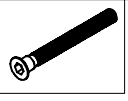
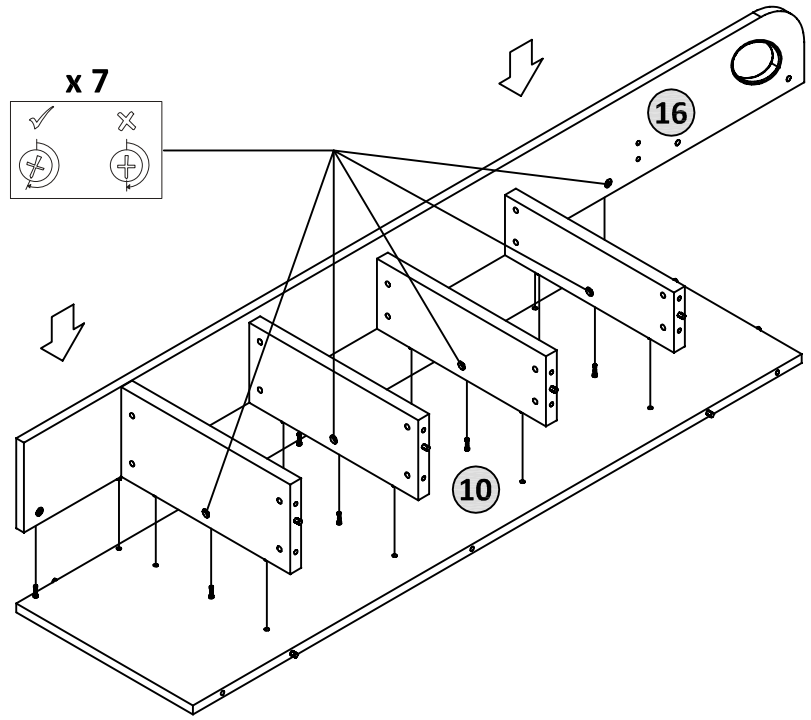
ENSURE STARTING POSITION IS CORRECT BEFORE YOU INSERT CONNECTING BOLT TURN CLOCKWISE UNTIL SECURE



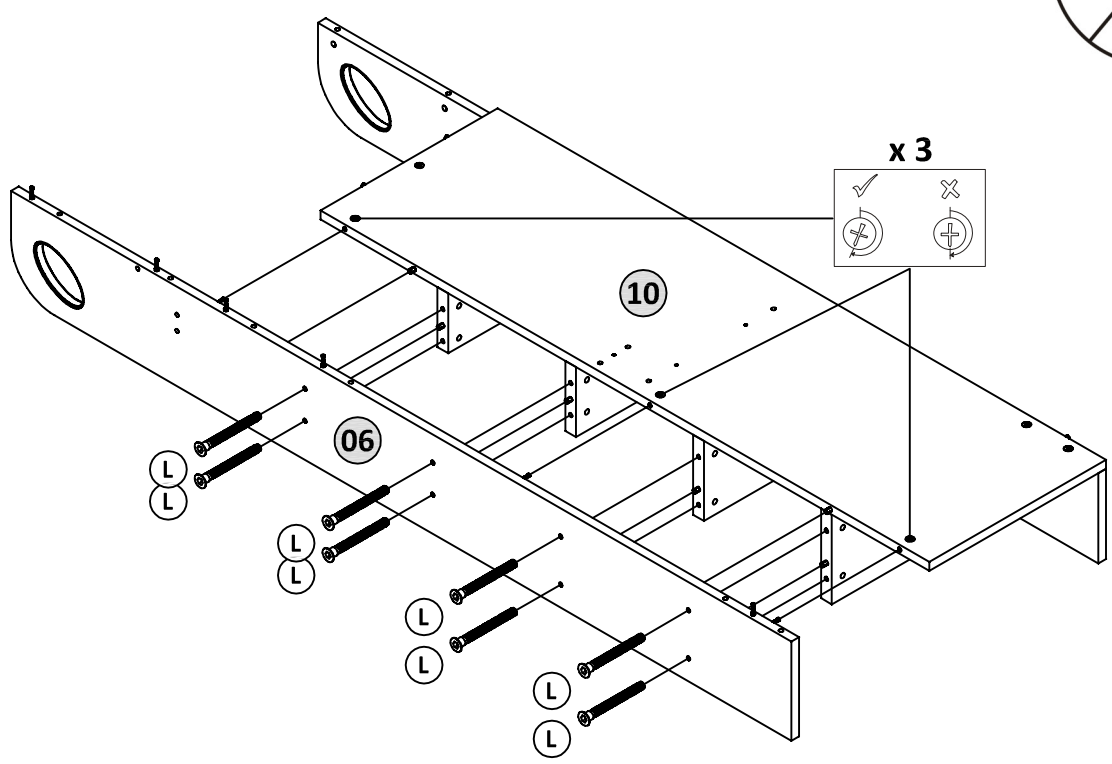
CORRECT

WRONG

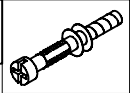




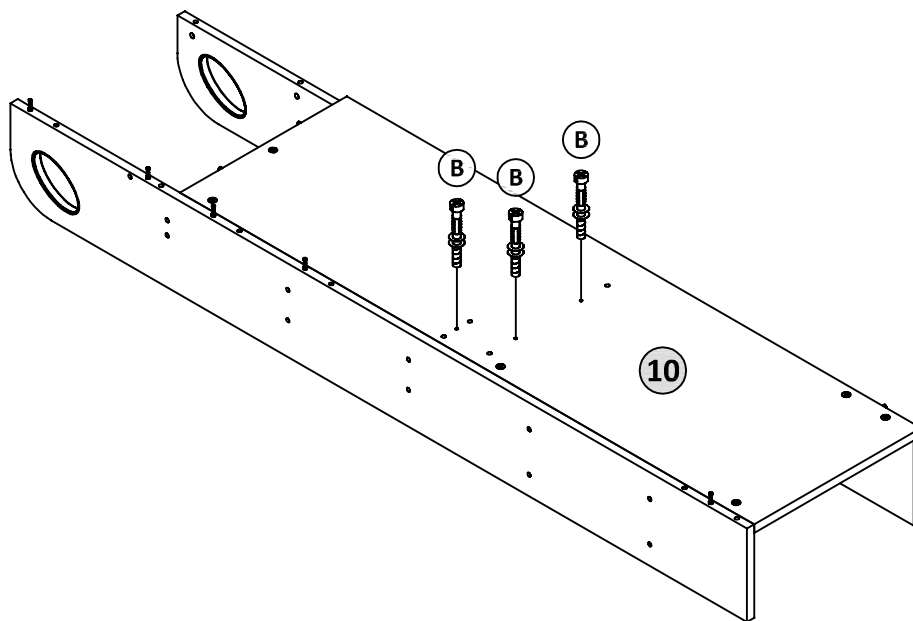
L x 8



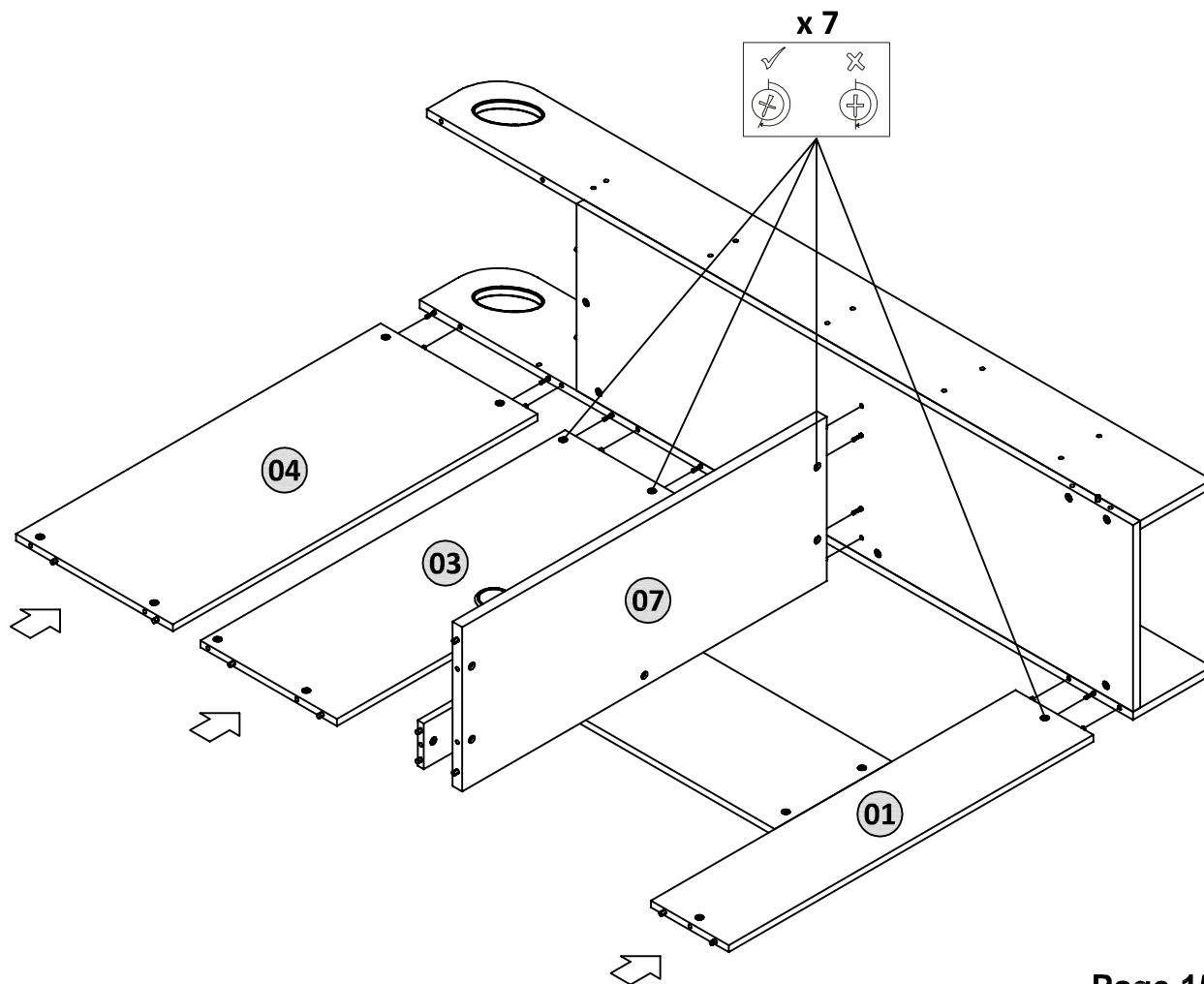
11



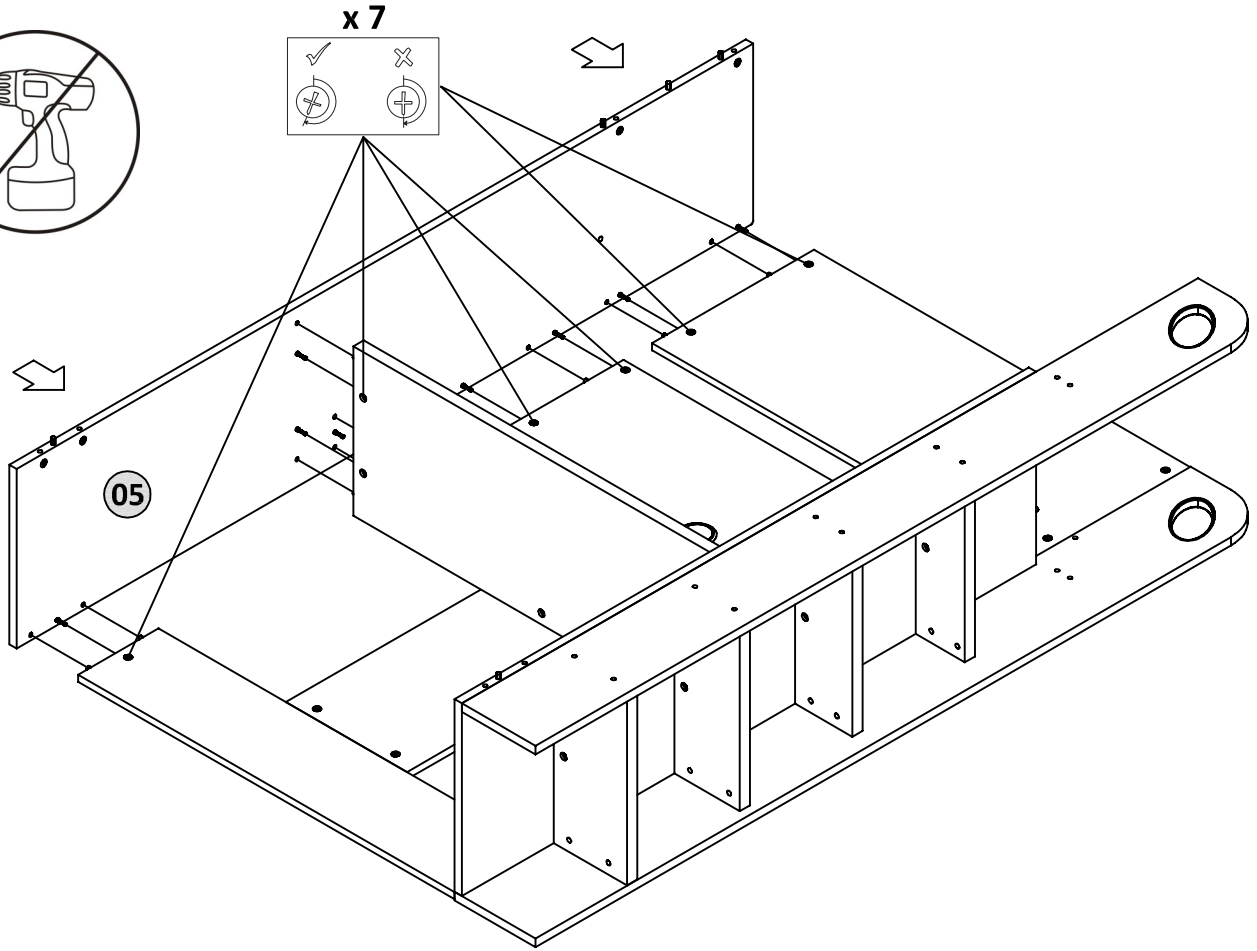
B x 3



12



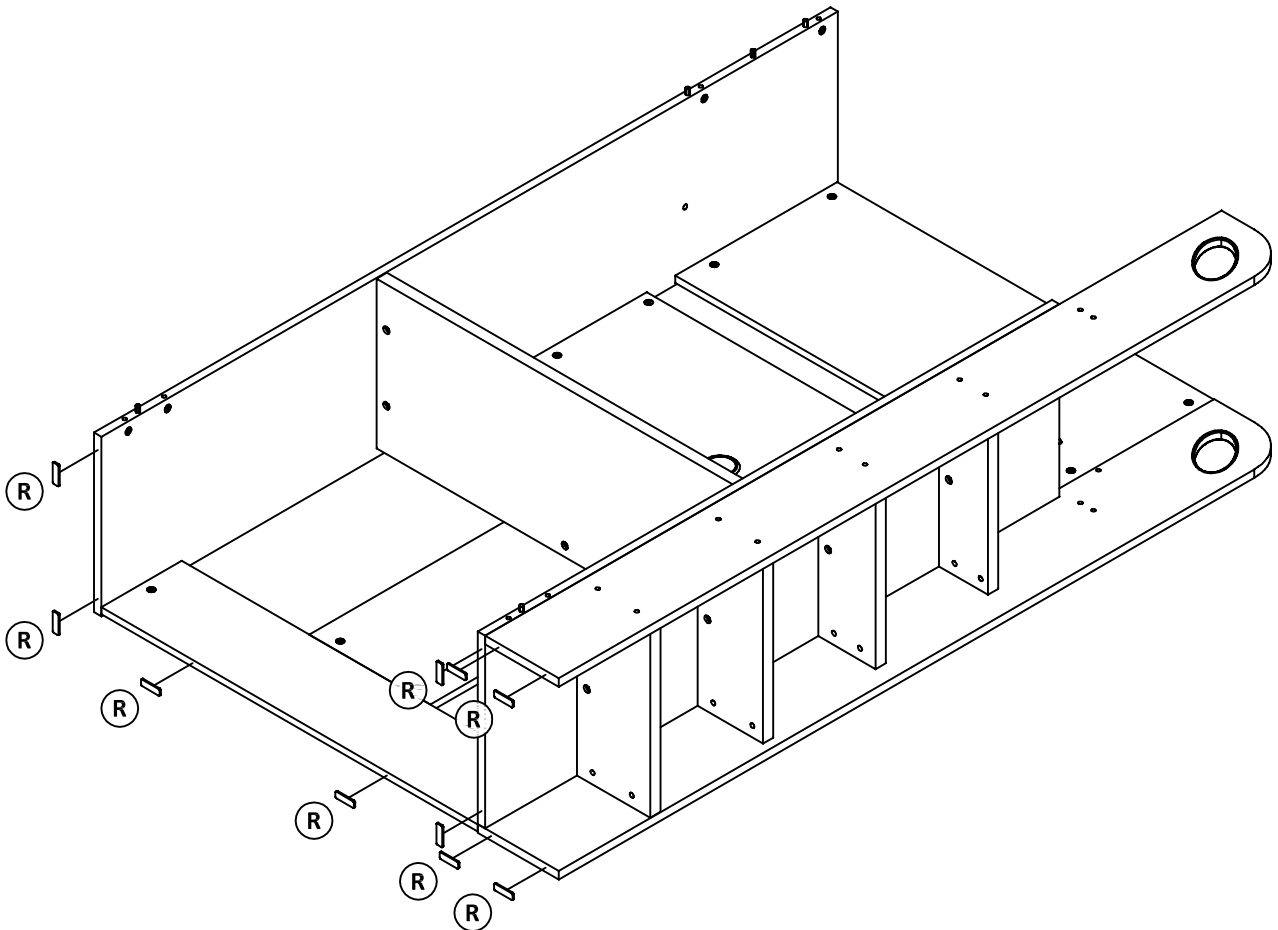
13



14



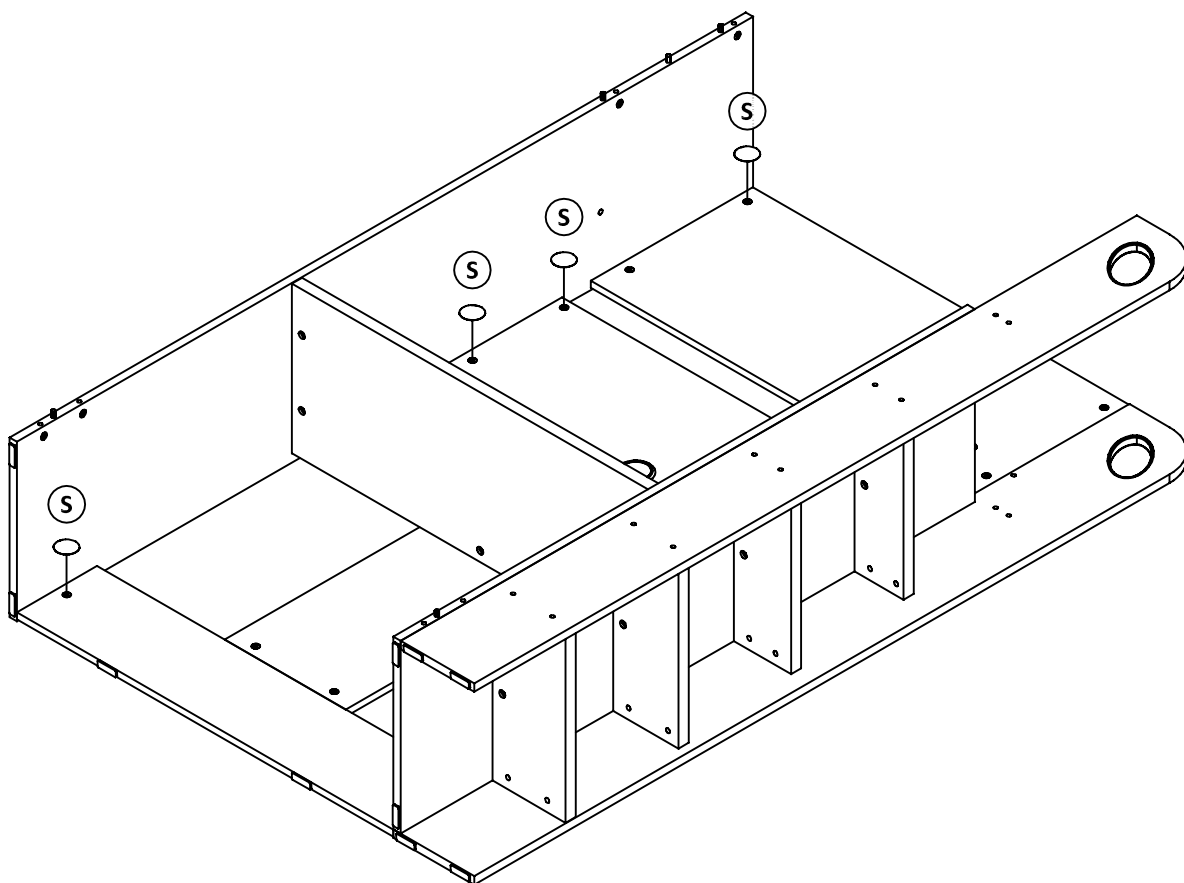
R x 10



15



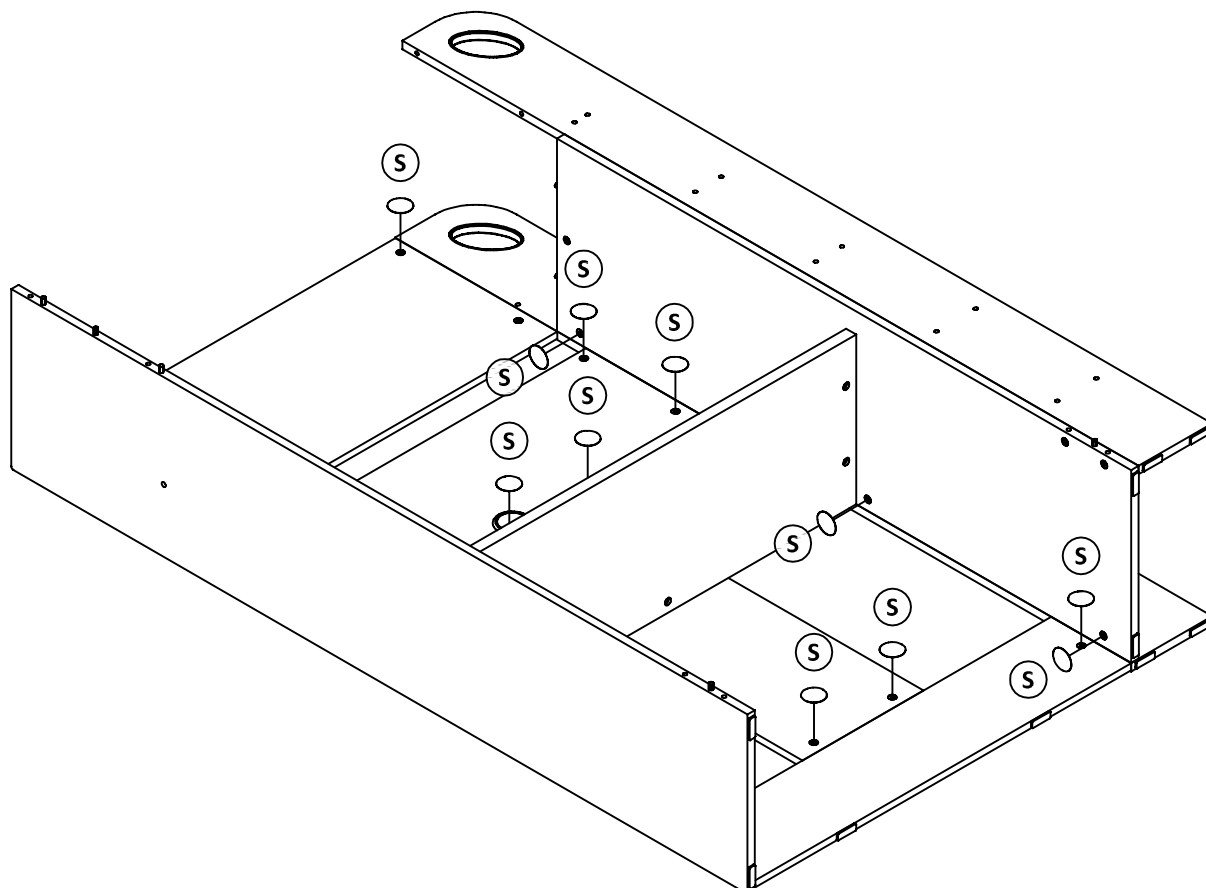
S x 4



16



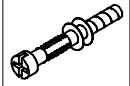
S x 11



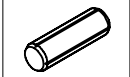
17



A x 16



B x 2



D x 18

WHEN FITTING CAM STUD

ENSURE THE CAM STUD IS FULLY TIGHTEN IN

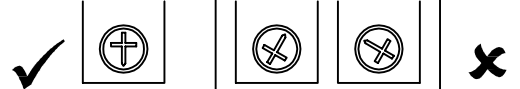


CORRECT

WRONG

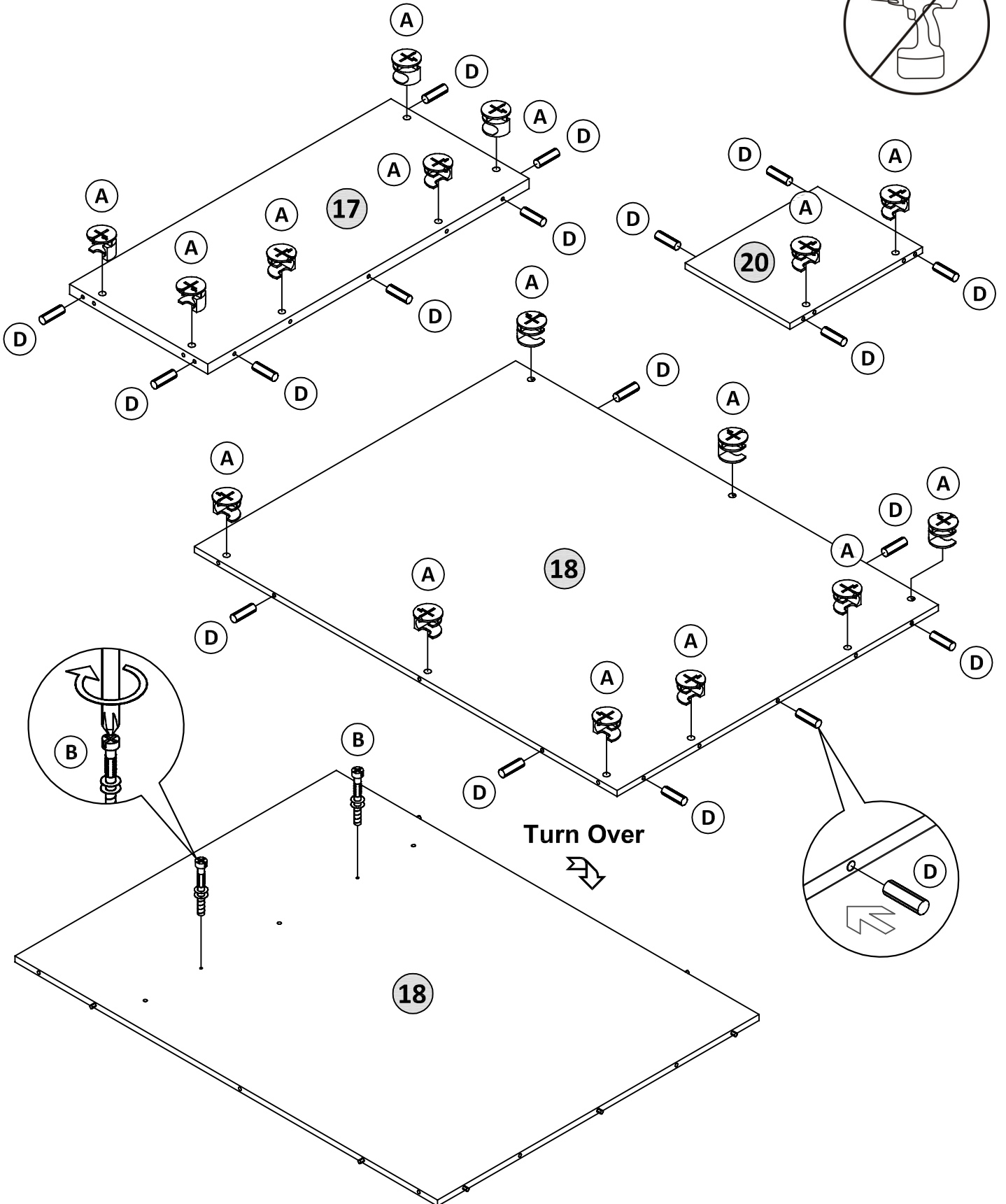
WHEN FITTING CAMS

ENSURE STARTING POSITION IS CORRECT BEFORE YOU INSERT CONNECTING BOLT TURN CLOCKWISE UNTIL SECURE

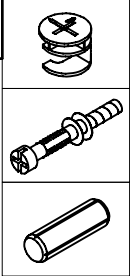


CORRECT

WRONG



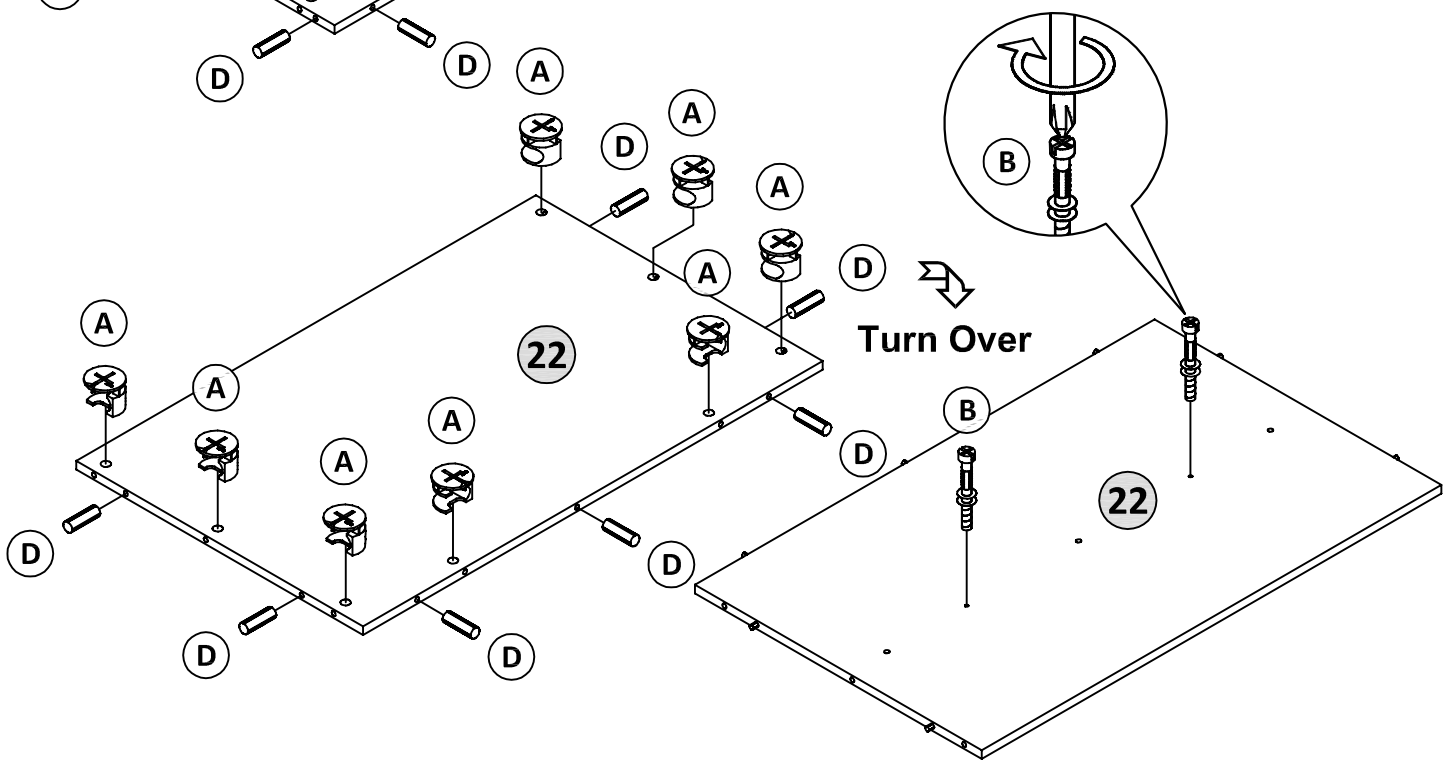
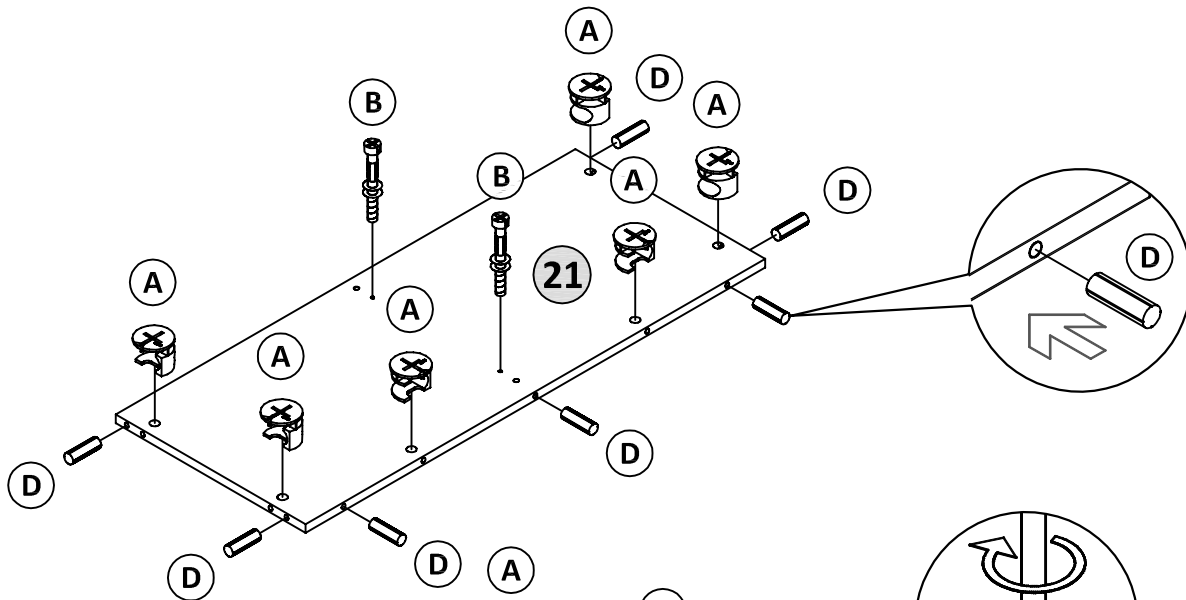
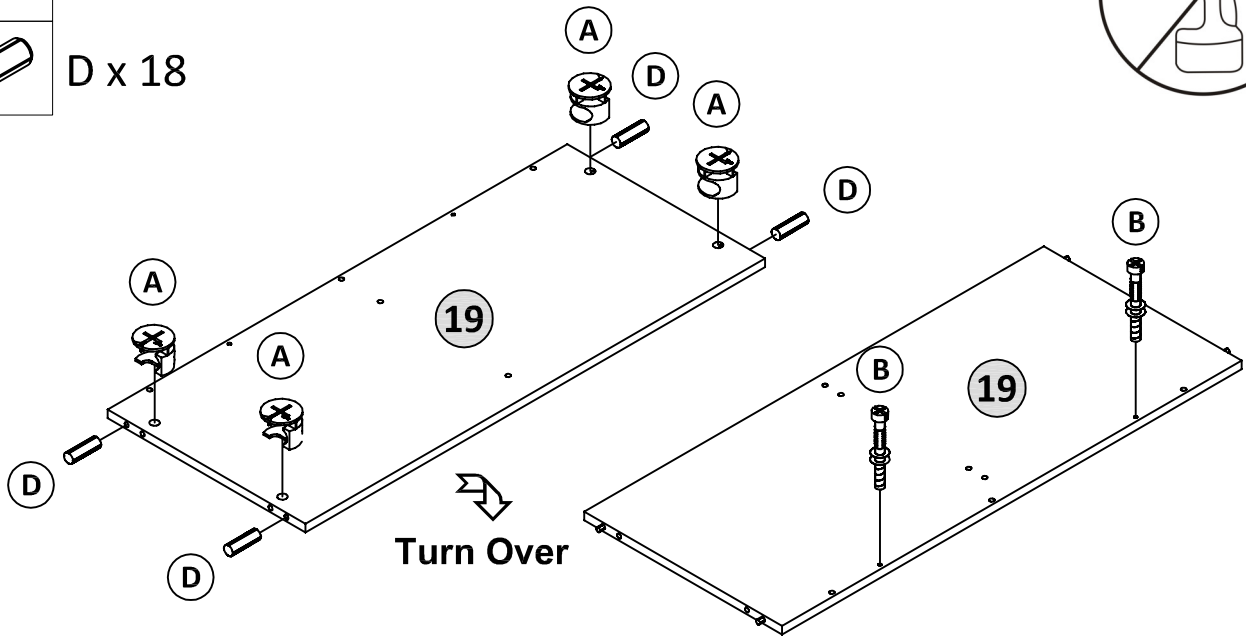
18



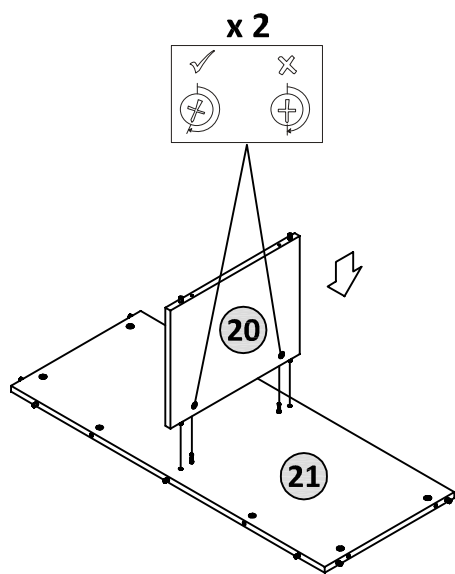
A x 18

B x 6

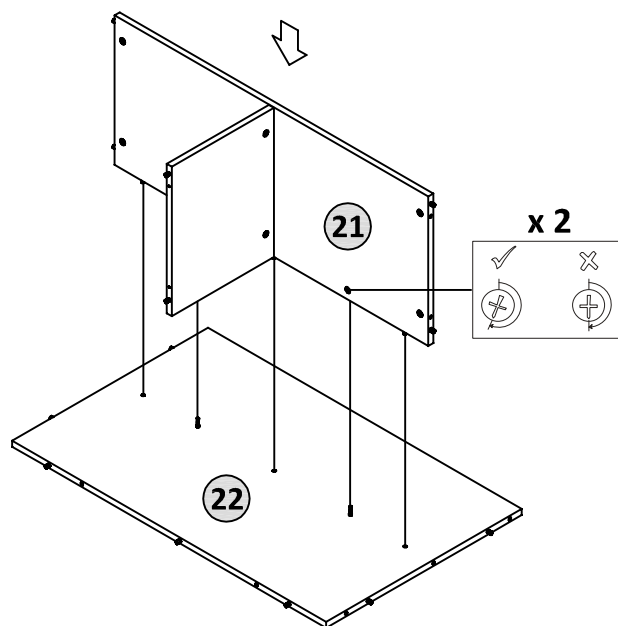
D x 18



19



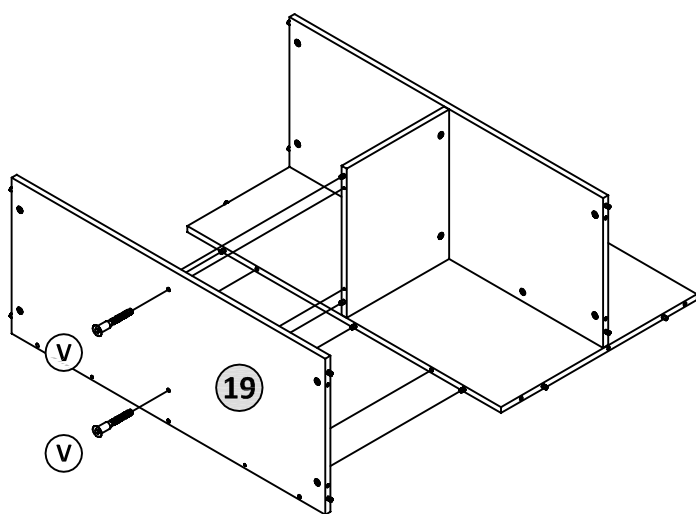
20



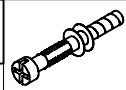
21



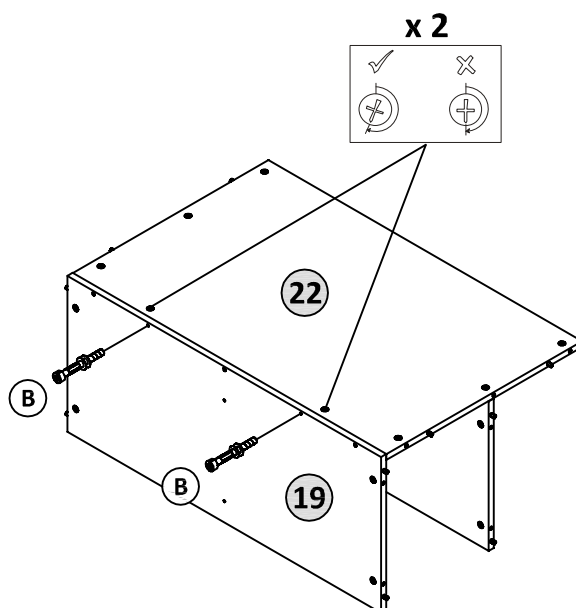
V x 2



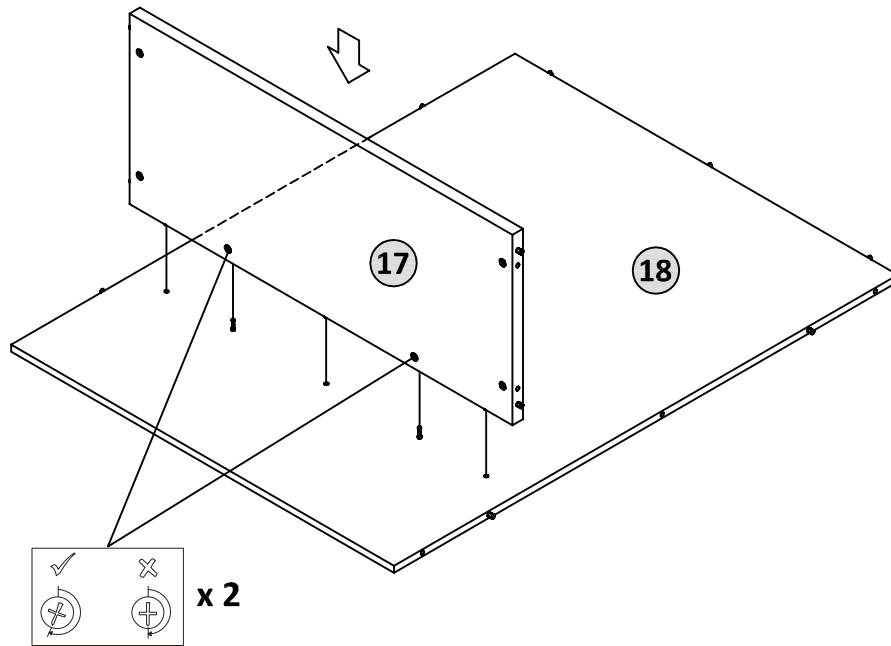
22



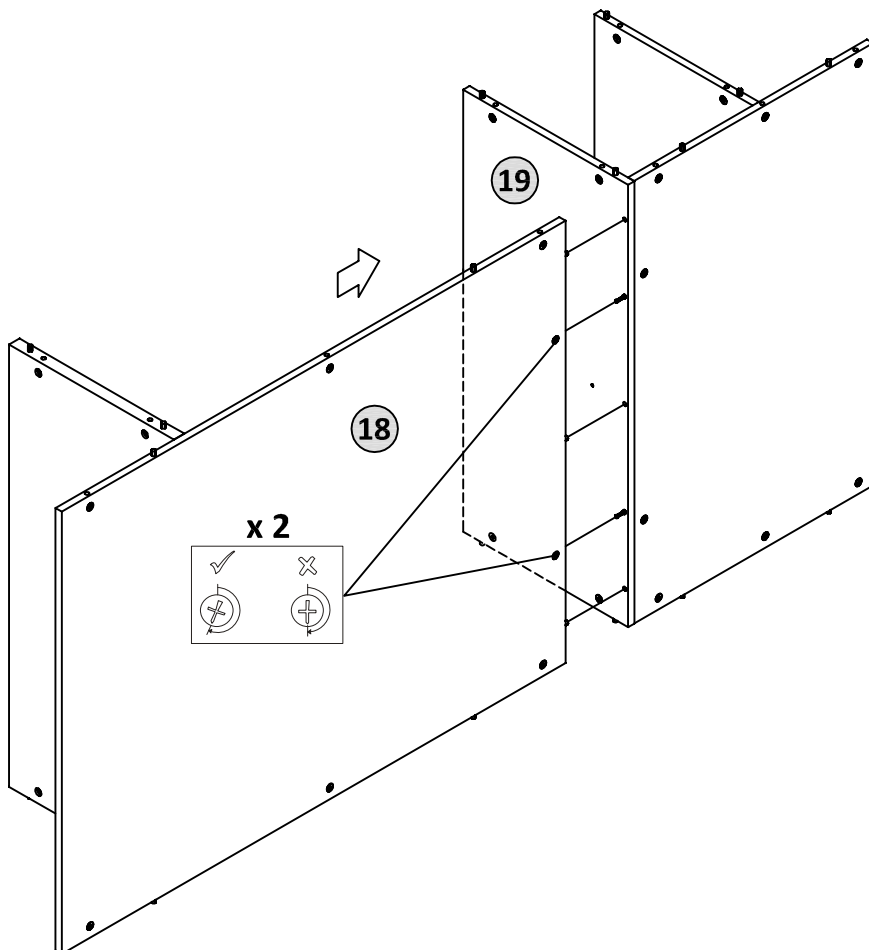
B x 2



23



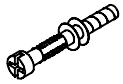
24



25



A x 8



B x 24



D x 8



J x 2

WHEN FITTING CAM STUD

ENSURE THE CAM STUD IS FULLY TIGHTEN IN



CORRECT

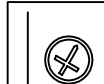
WRONG

WHEN FITTING CAMS

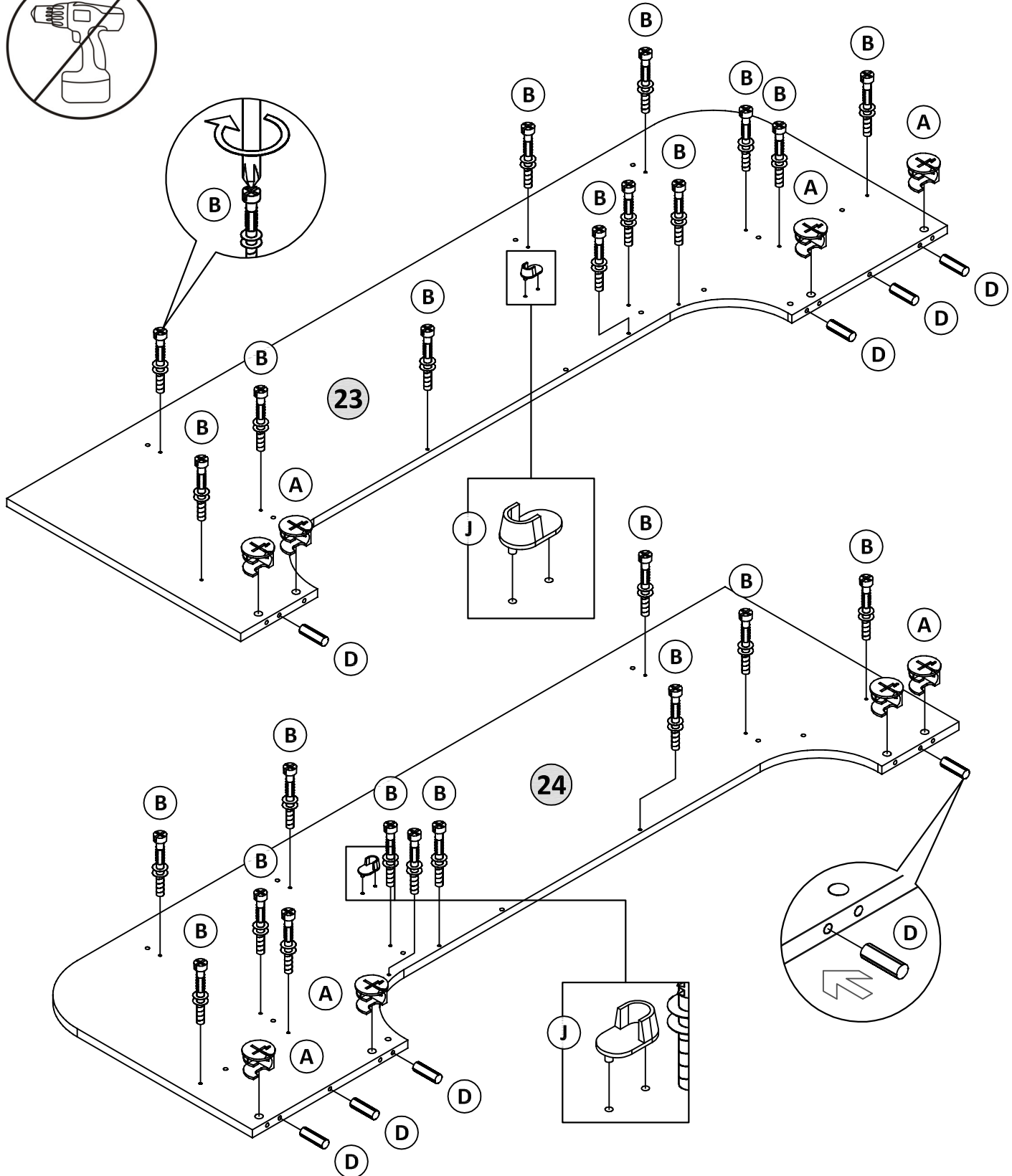
ENSURE STARTING POSITION IS CORRECT BEFORE YOU INSERT CONNECTING BOLT TURN CLOCKWISE UNTIL SECURE



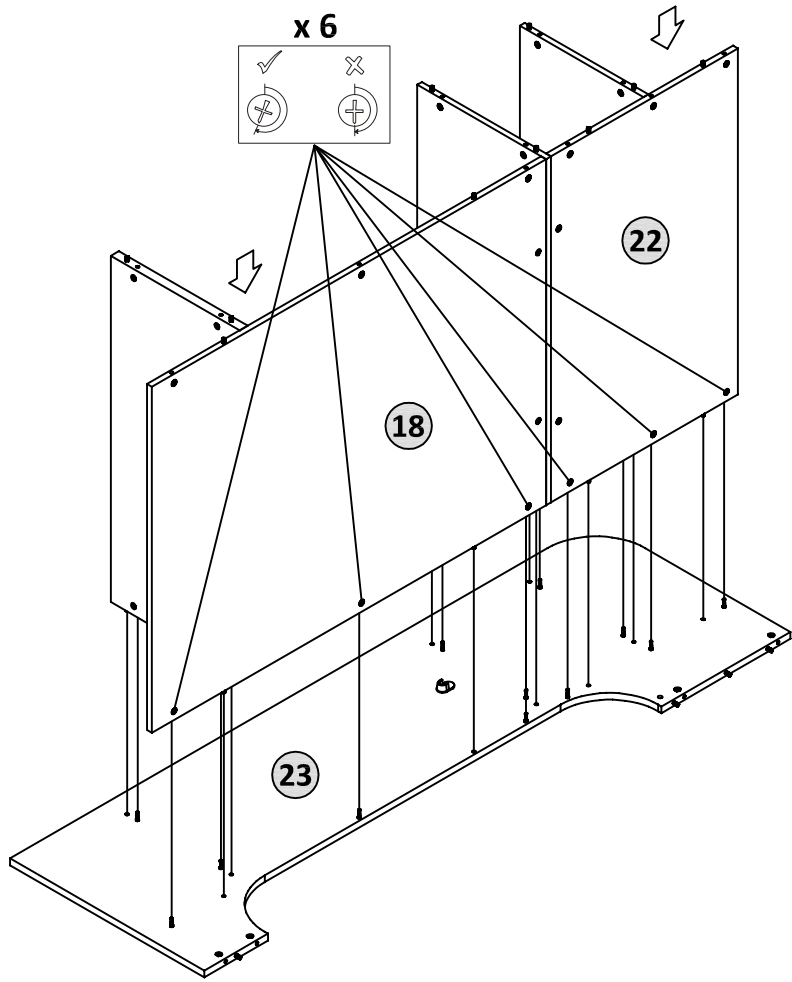
CORRECT



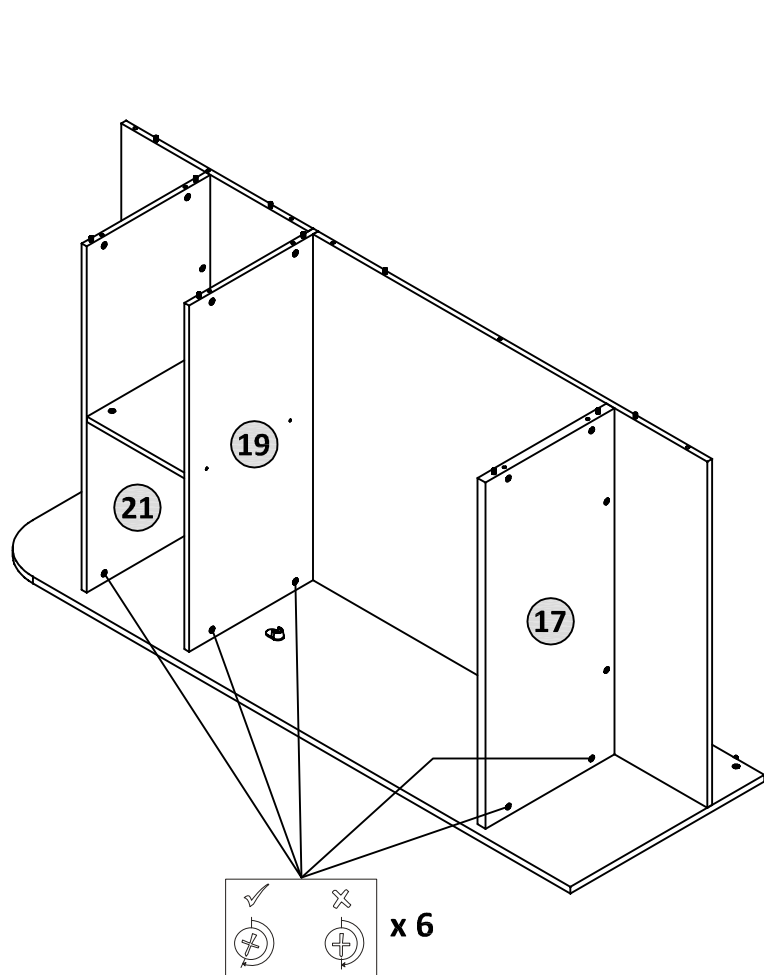
WRONG



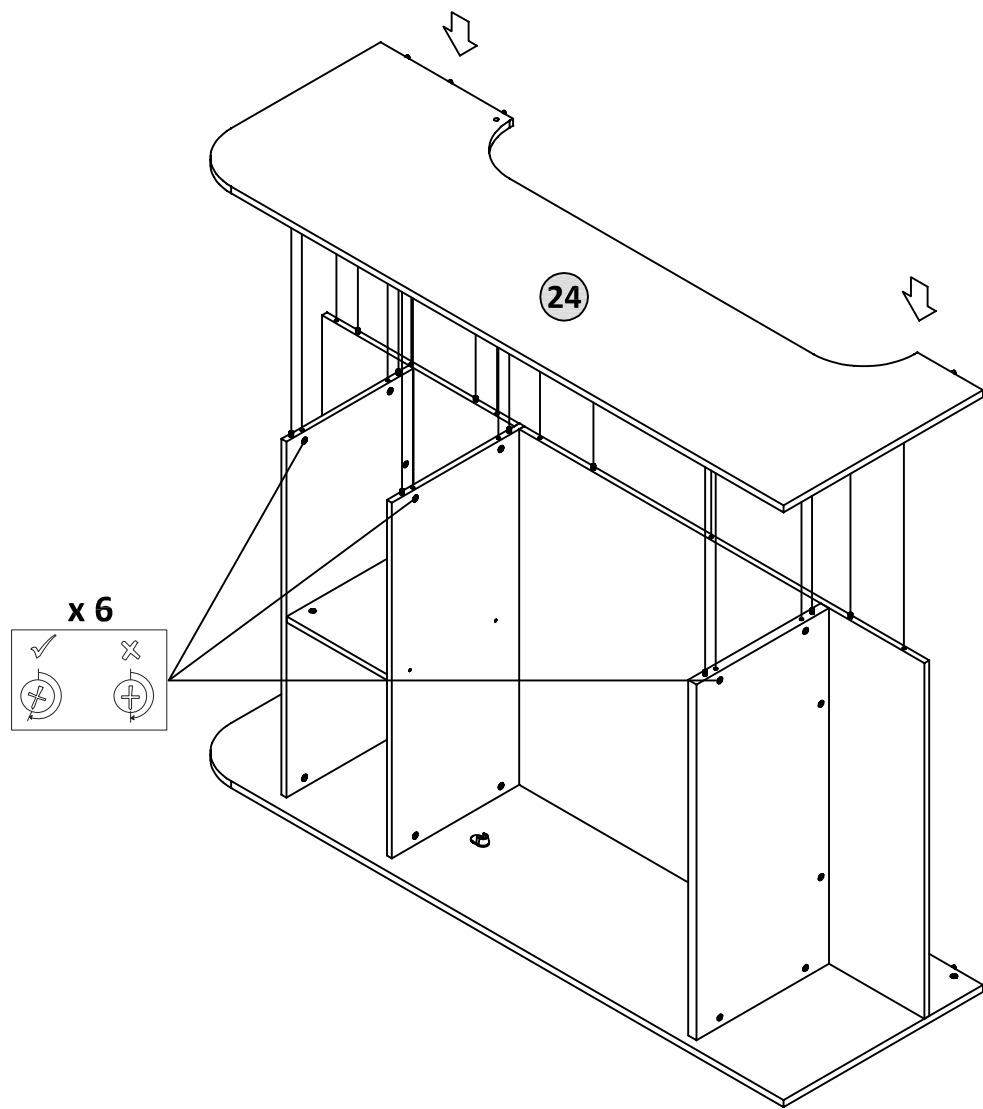
26



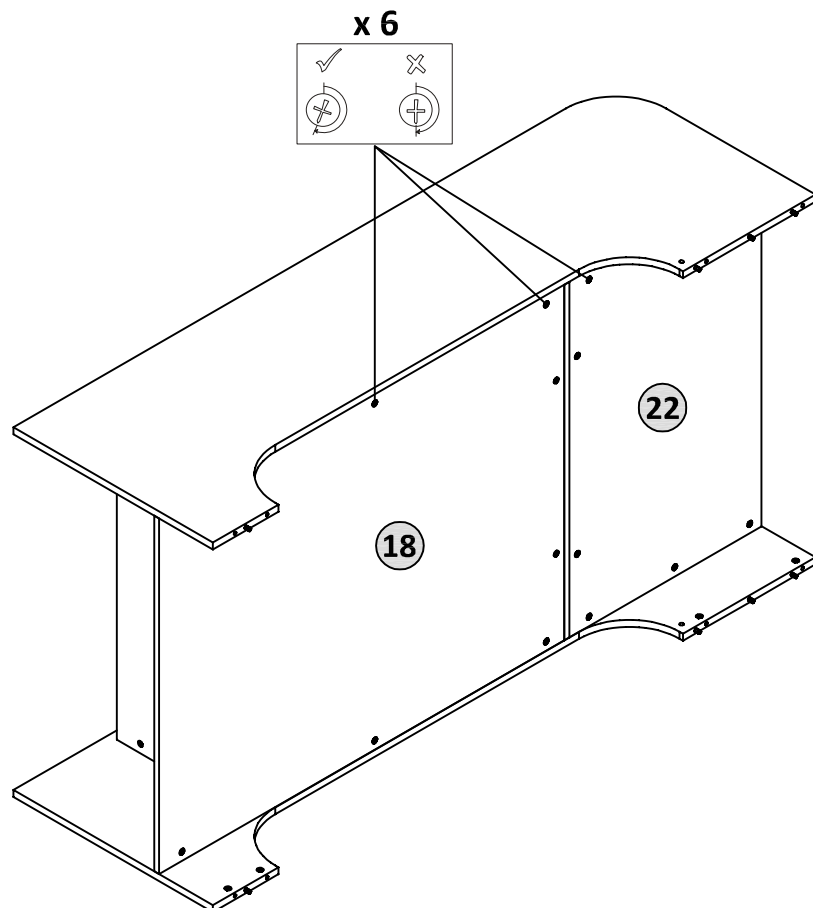
27



28



29



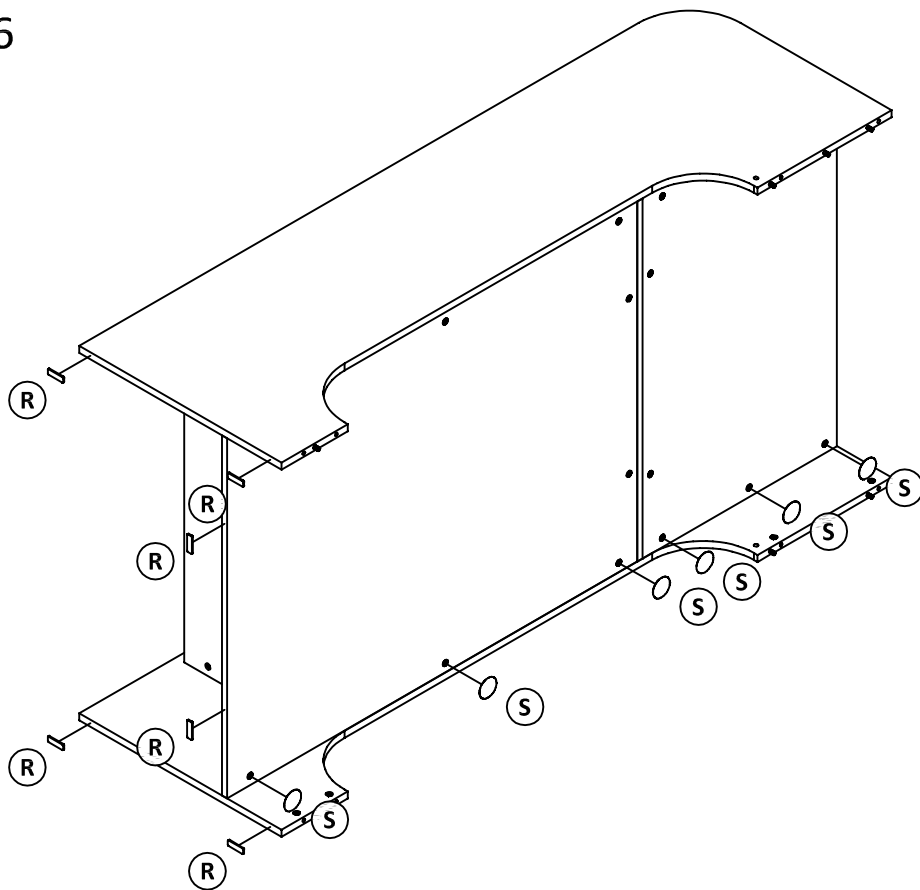
30



R x 6



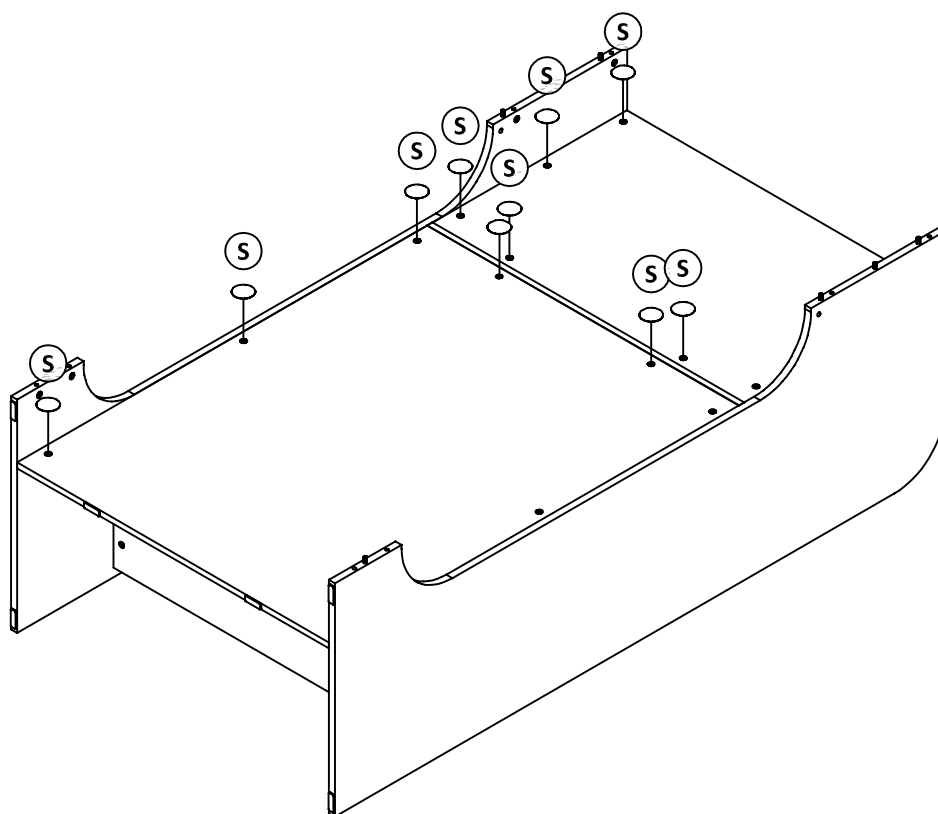
S x 6



31



S x 10

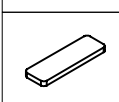




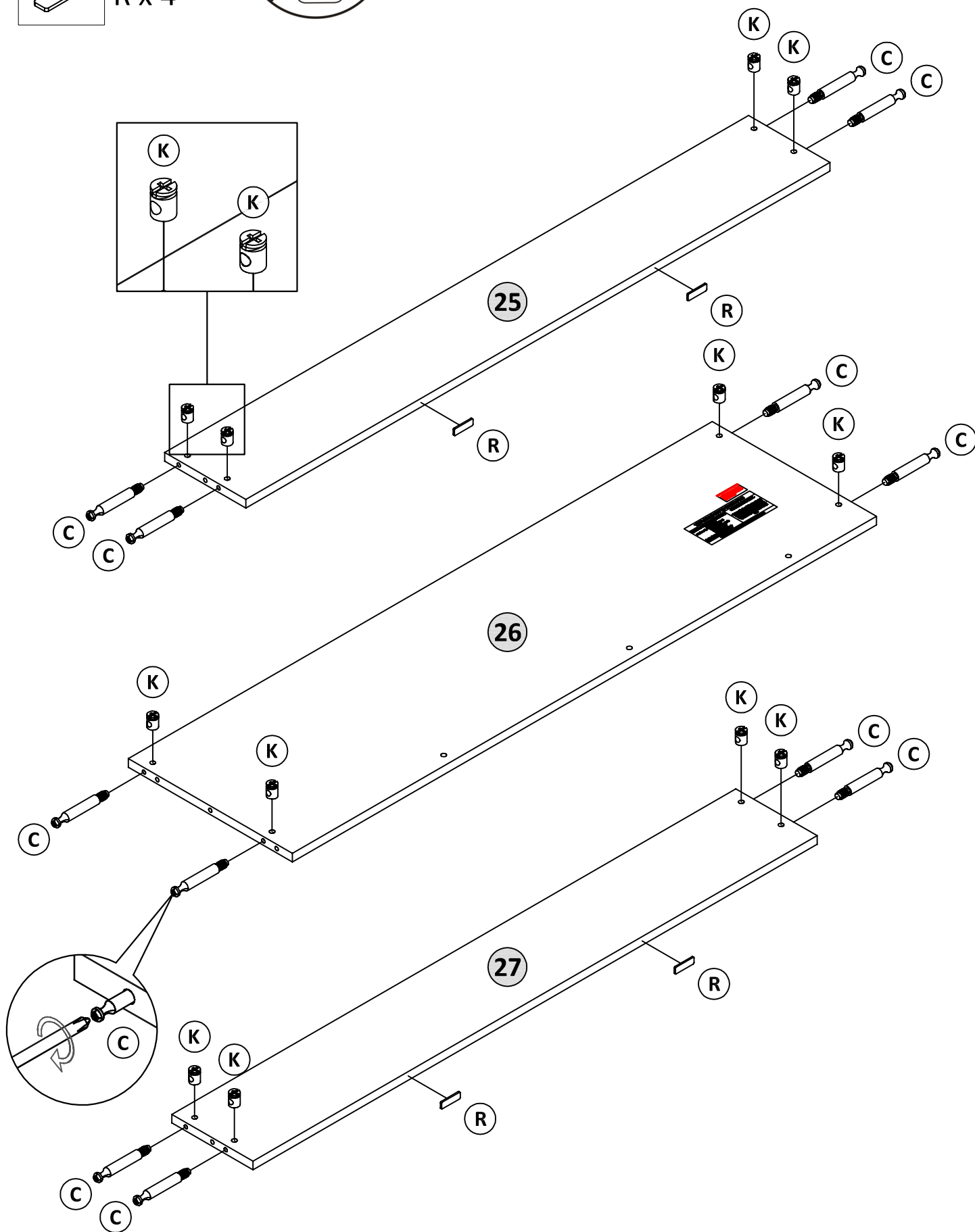
C x 12



K x 12



R x 4



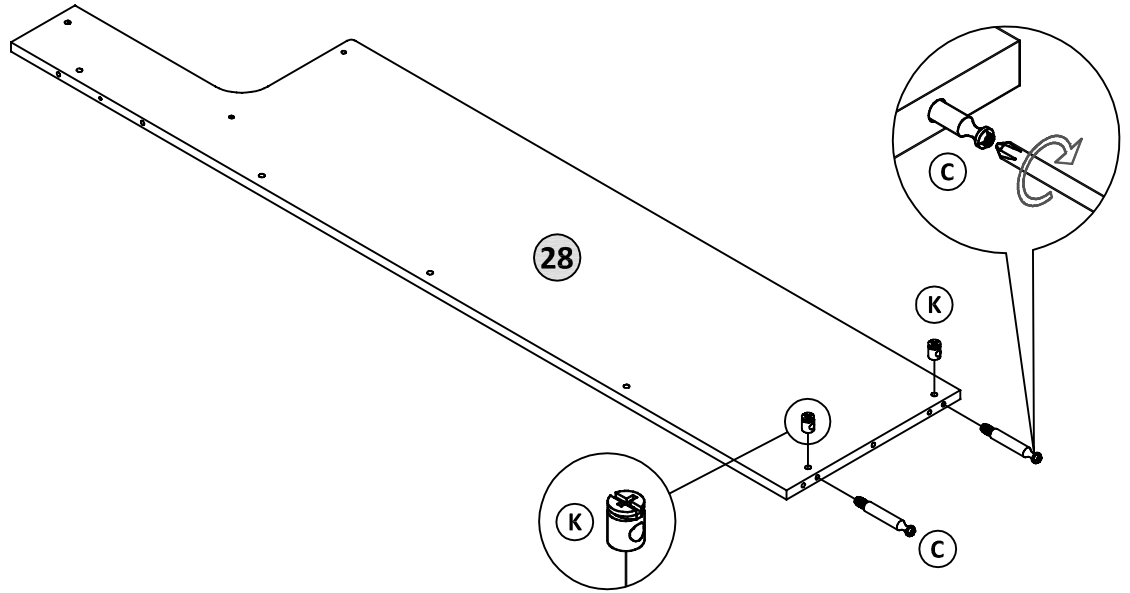
33



C x 2



K x 2



34



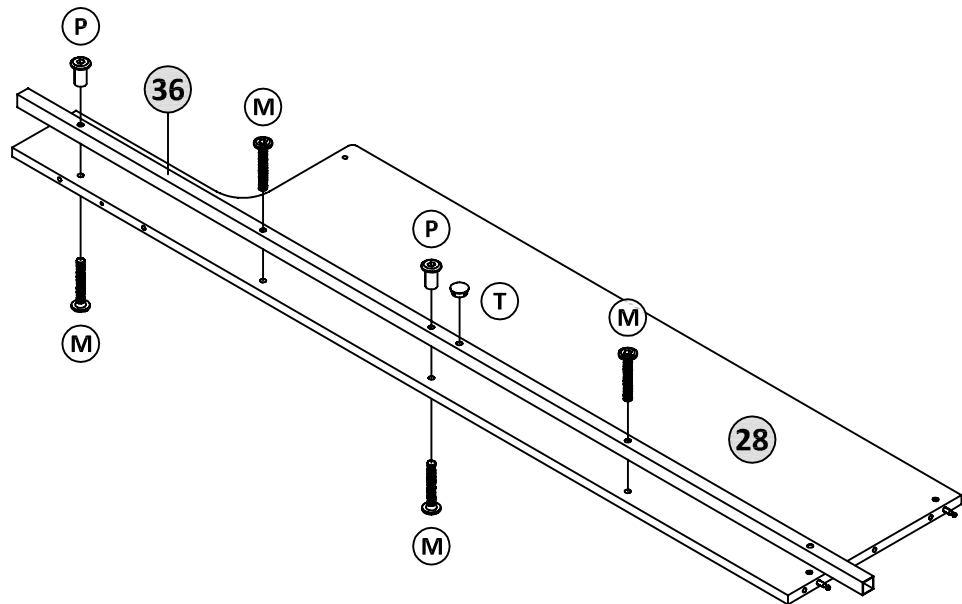
M x 4



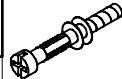
P x 2



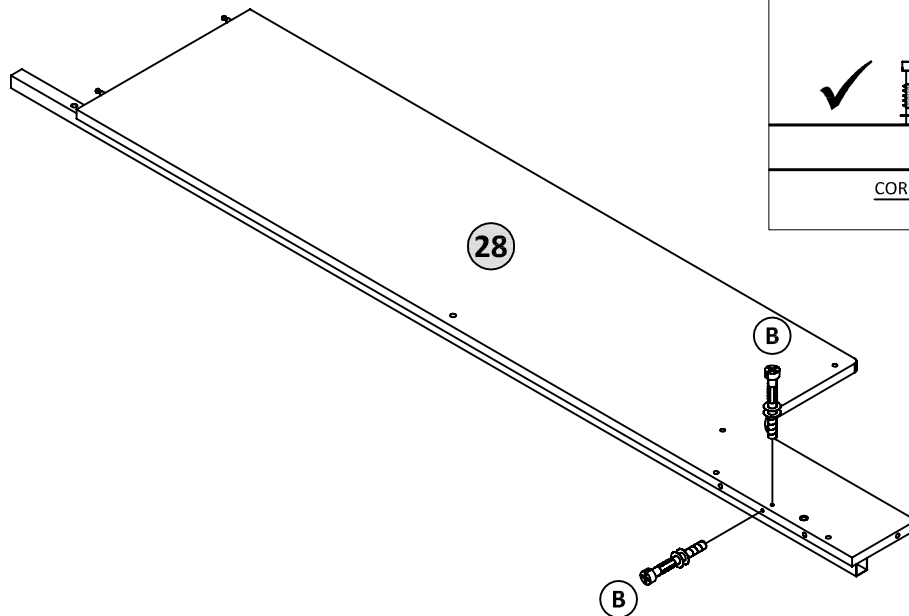
T x 1



35



B x 2



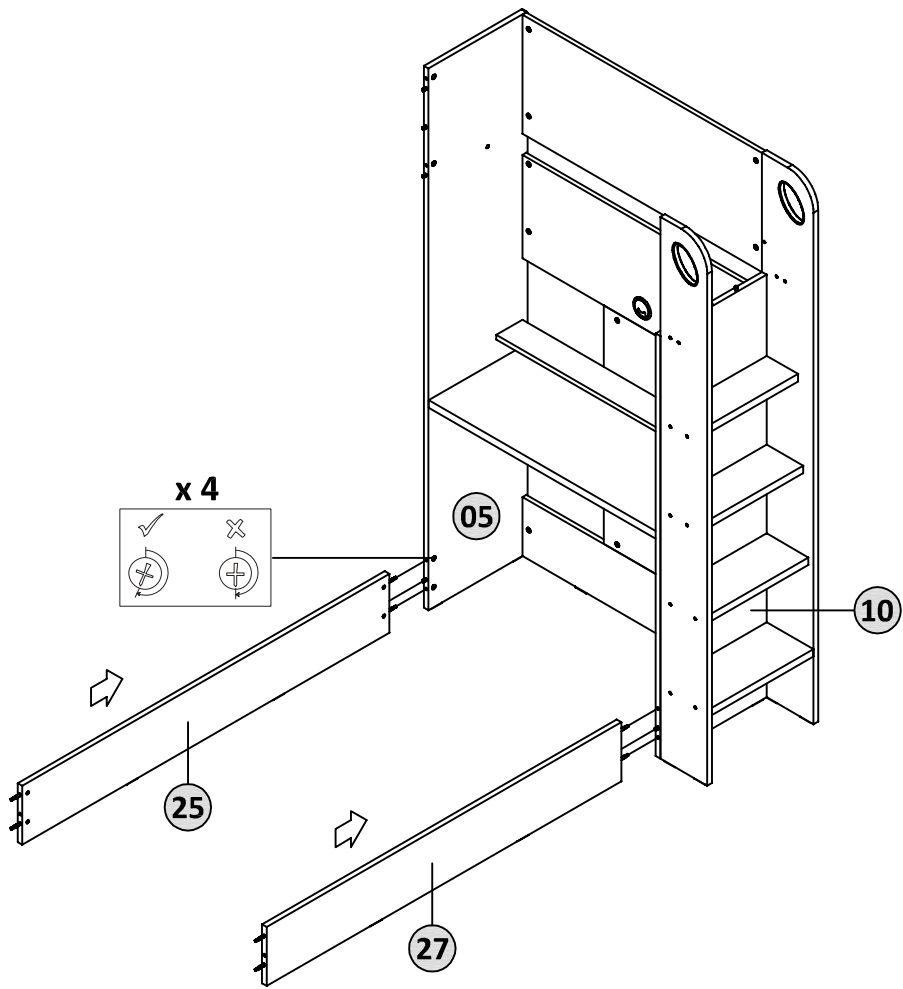
WHEN FITTING CAM STUD
ENSURE THE CAM STUD IS FULLY TIGHTEN IN



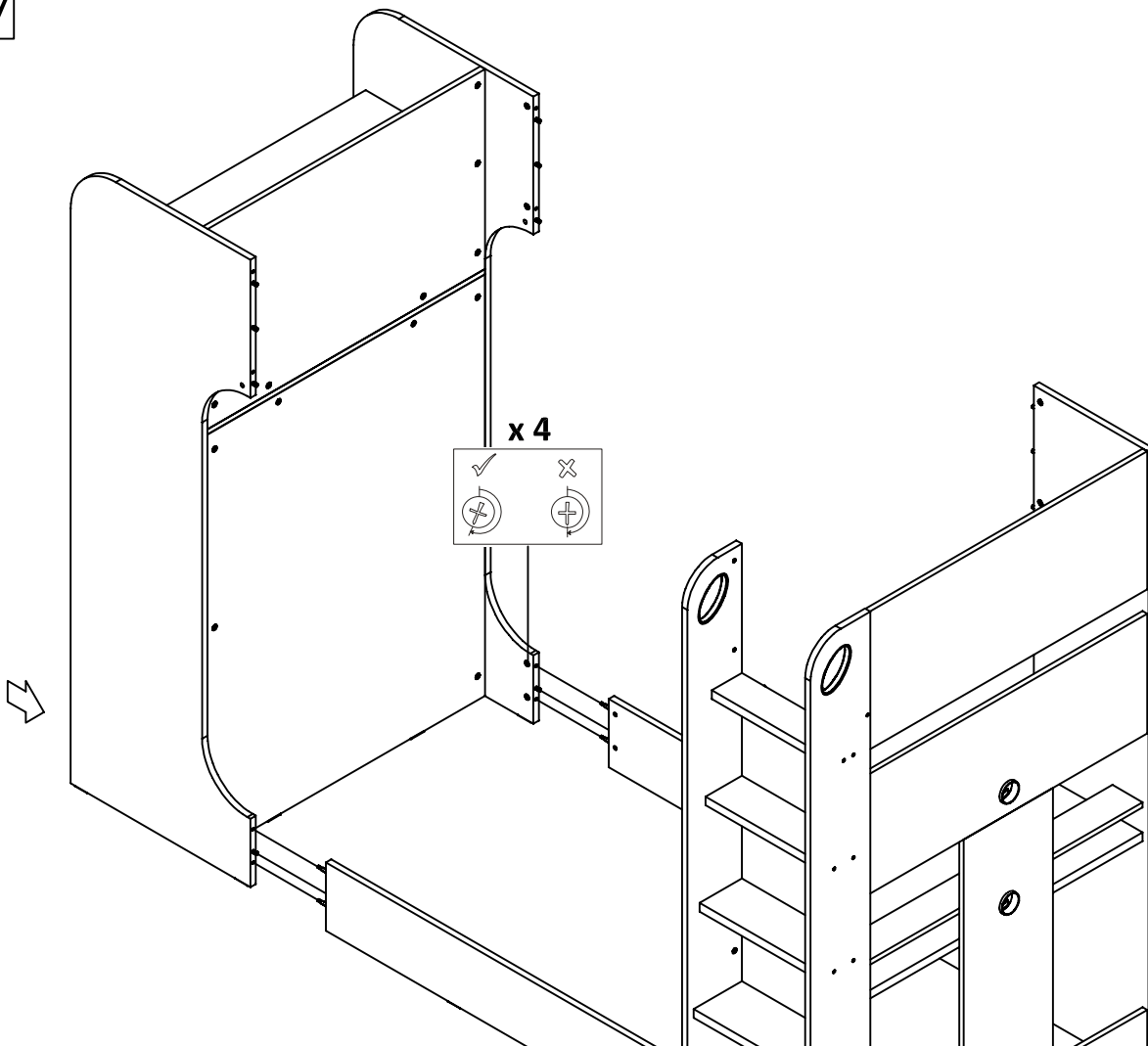
CORRECT

WRONG

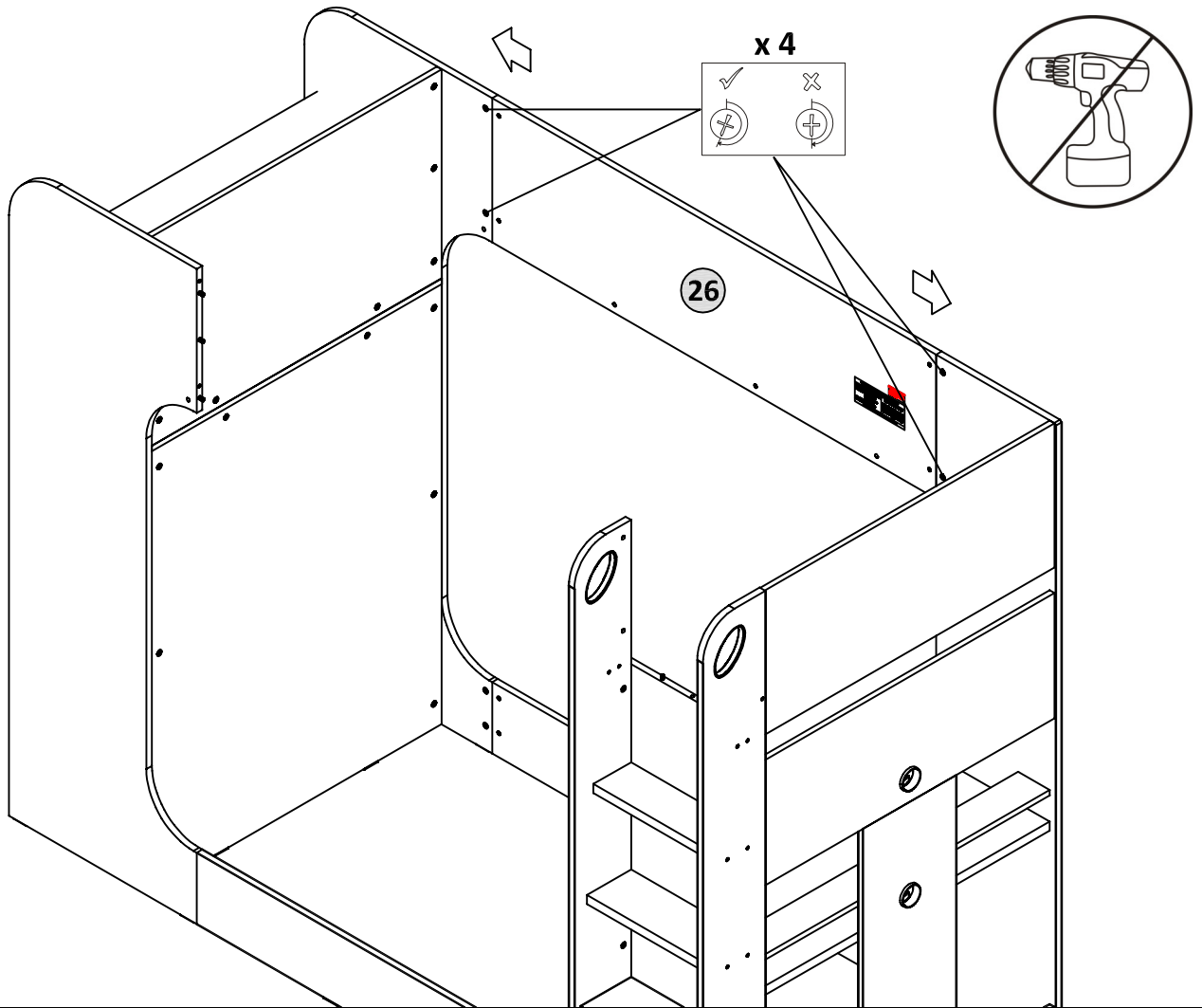
36





37

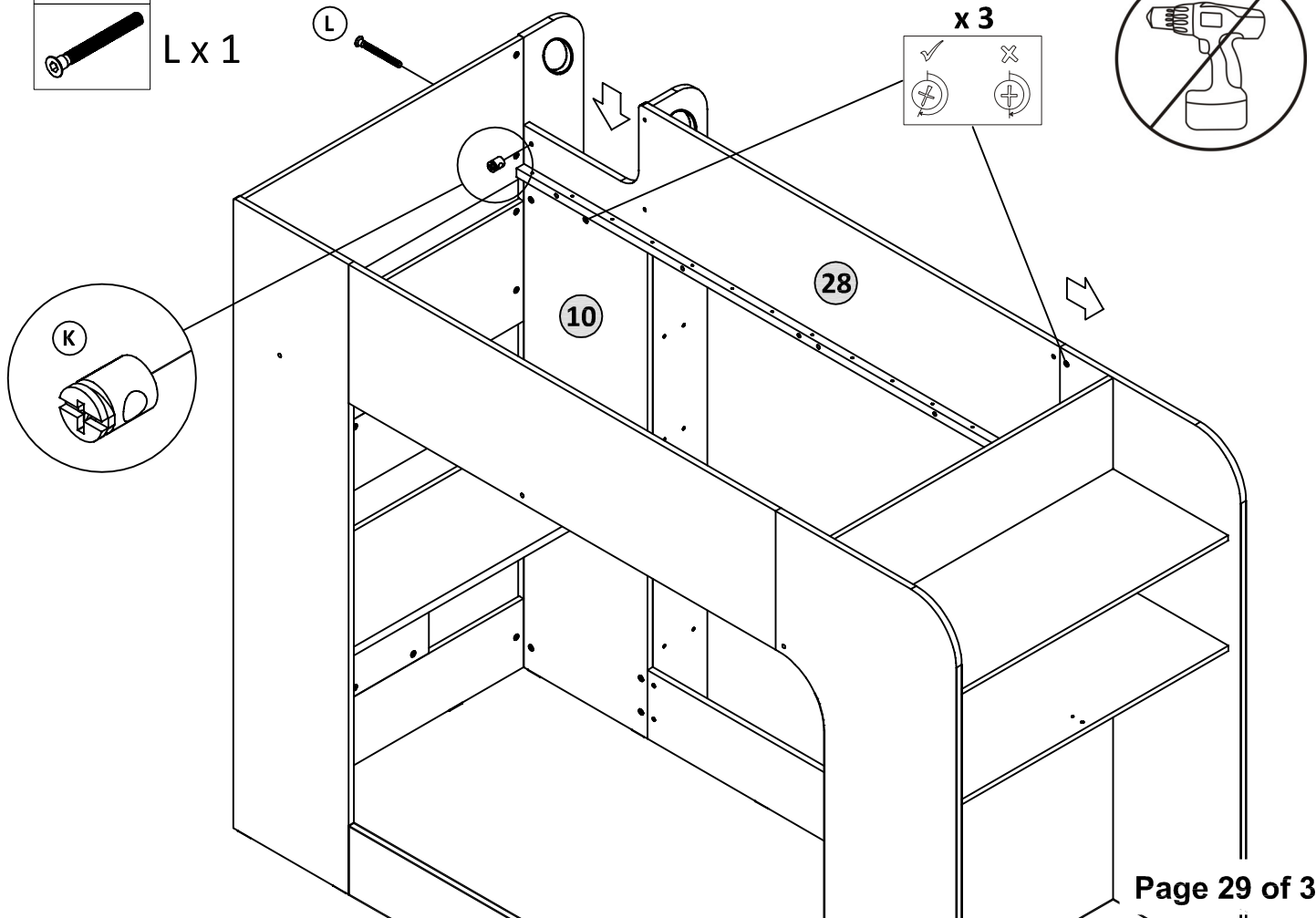


38

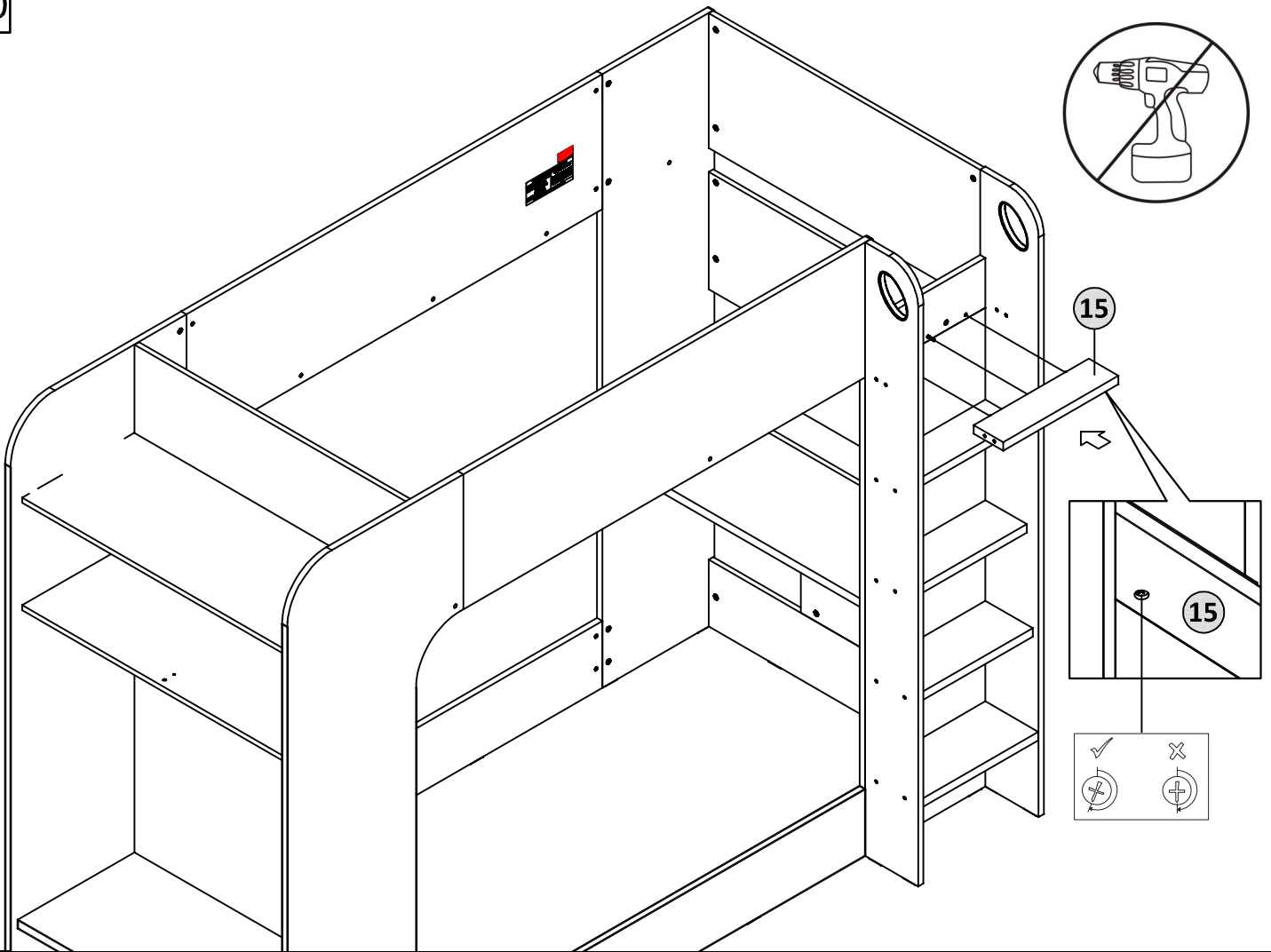


39

-  K x 1
-  L x 1



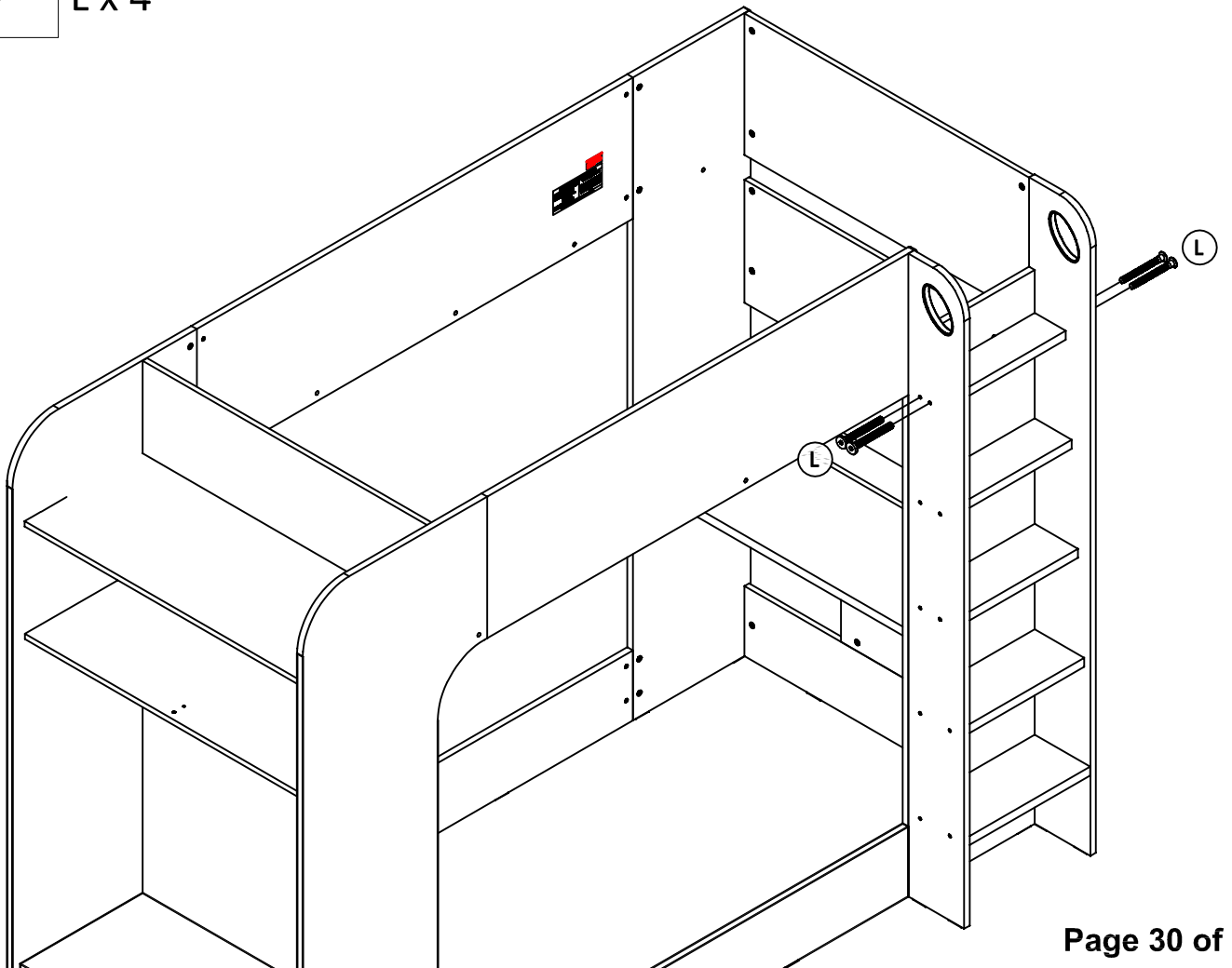
40



41



L x 4



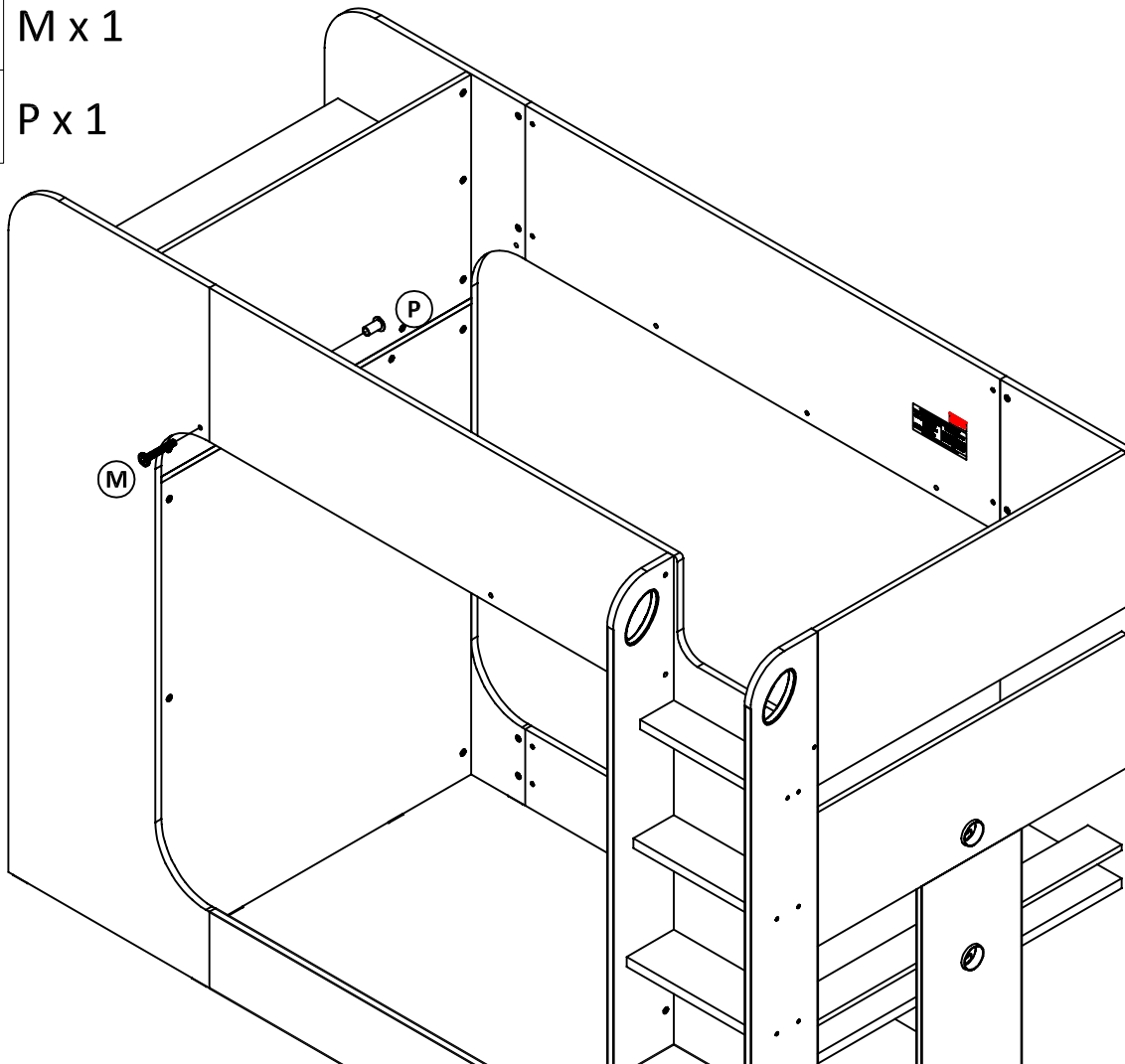
42



M x 1



P x 1



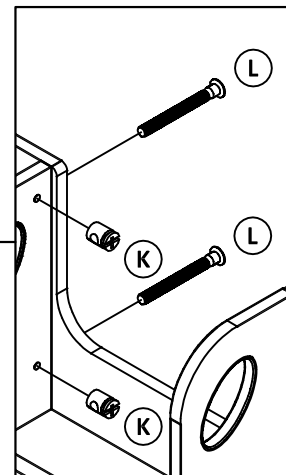
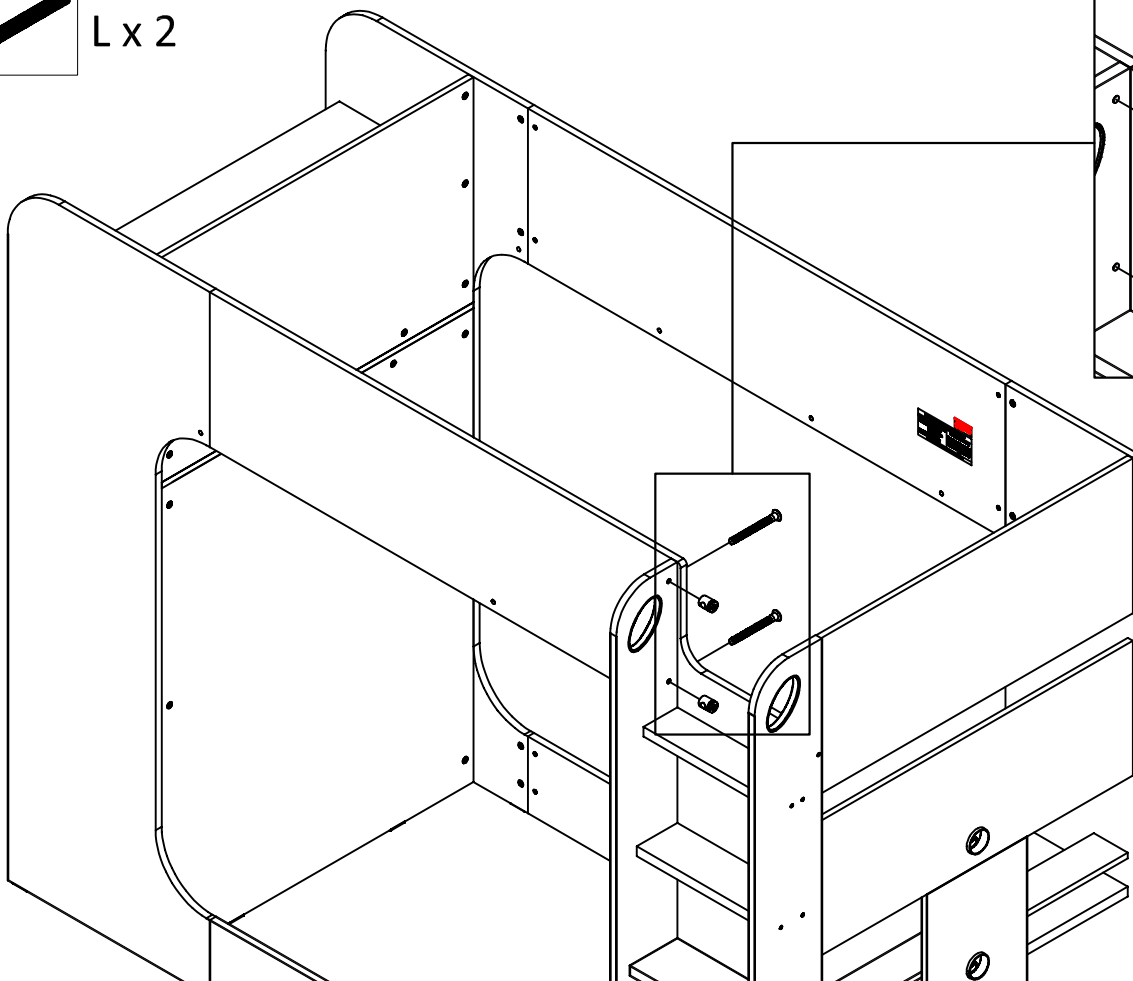
43



K x 2



L x 2



44



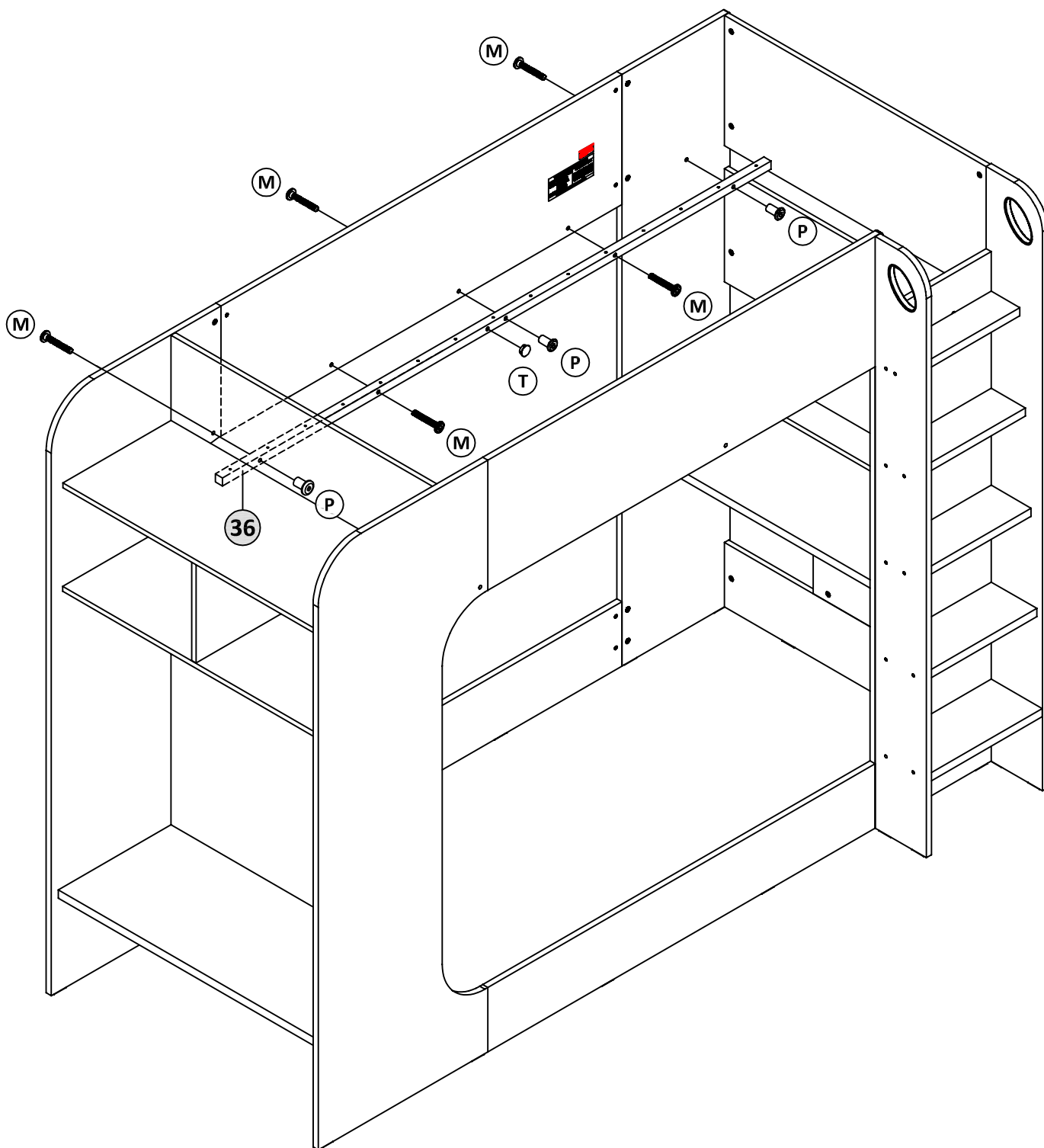
M x 5



P x 3



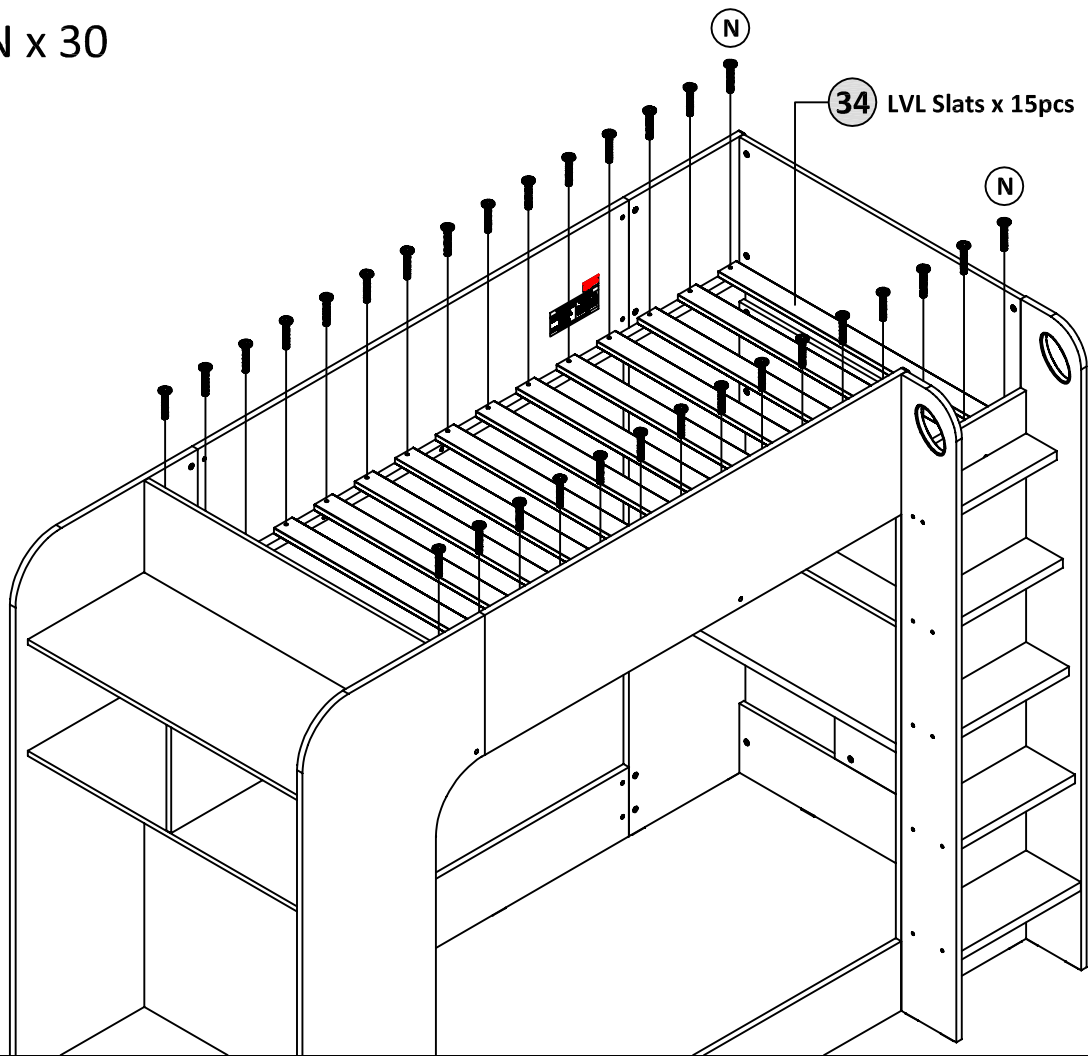
T x 1



45



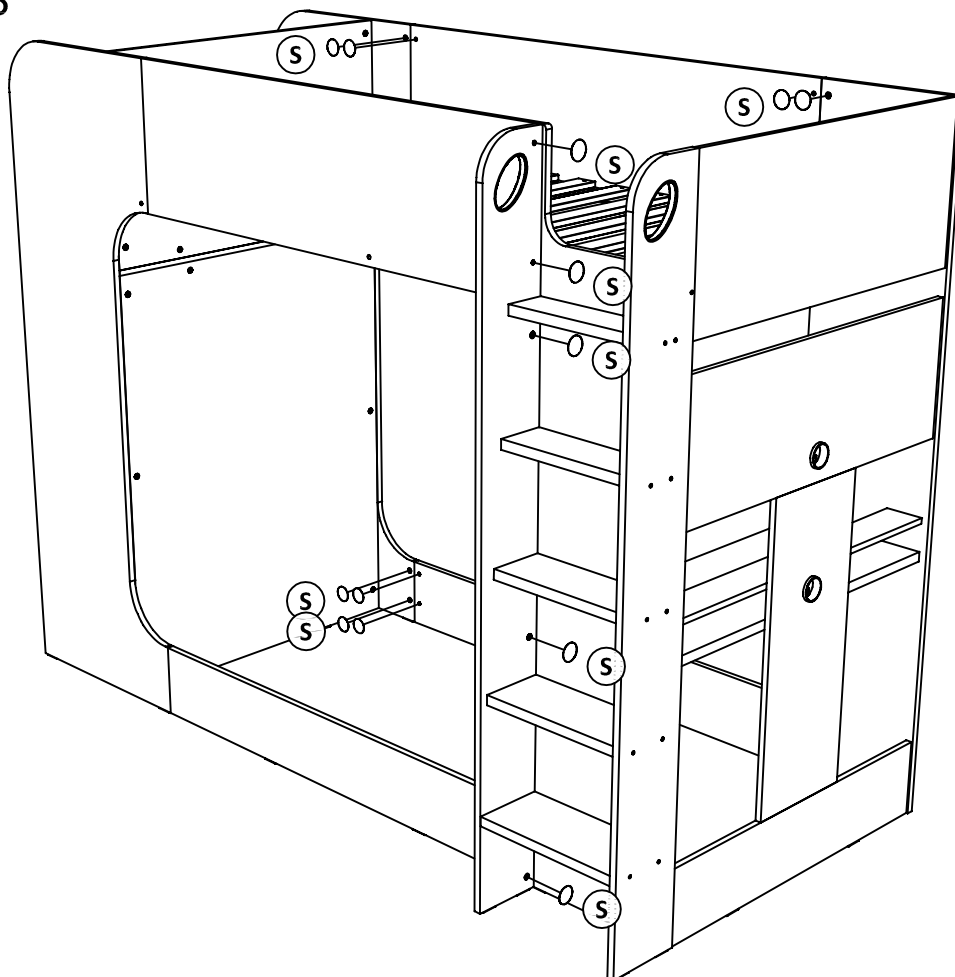
N x 30



46



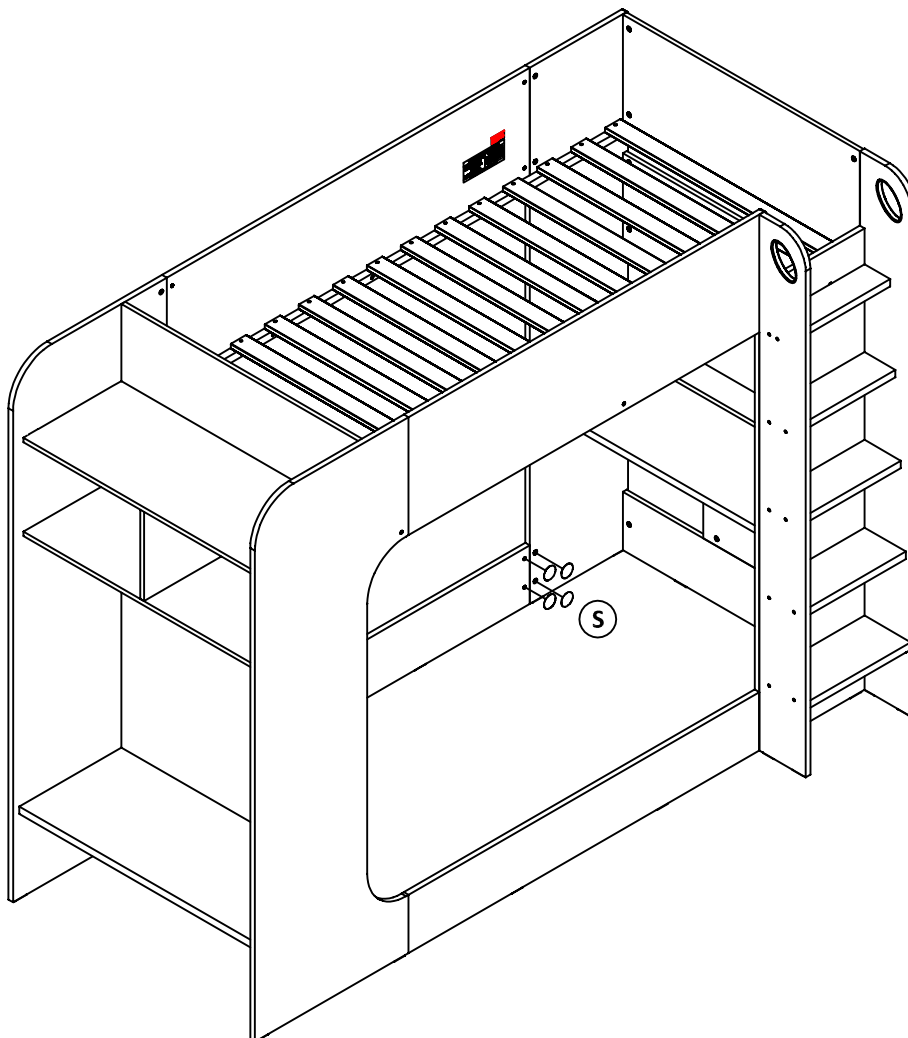
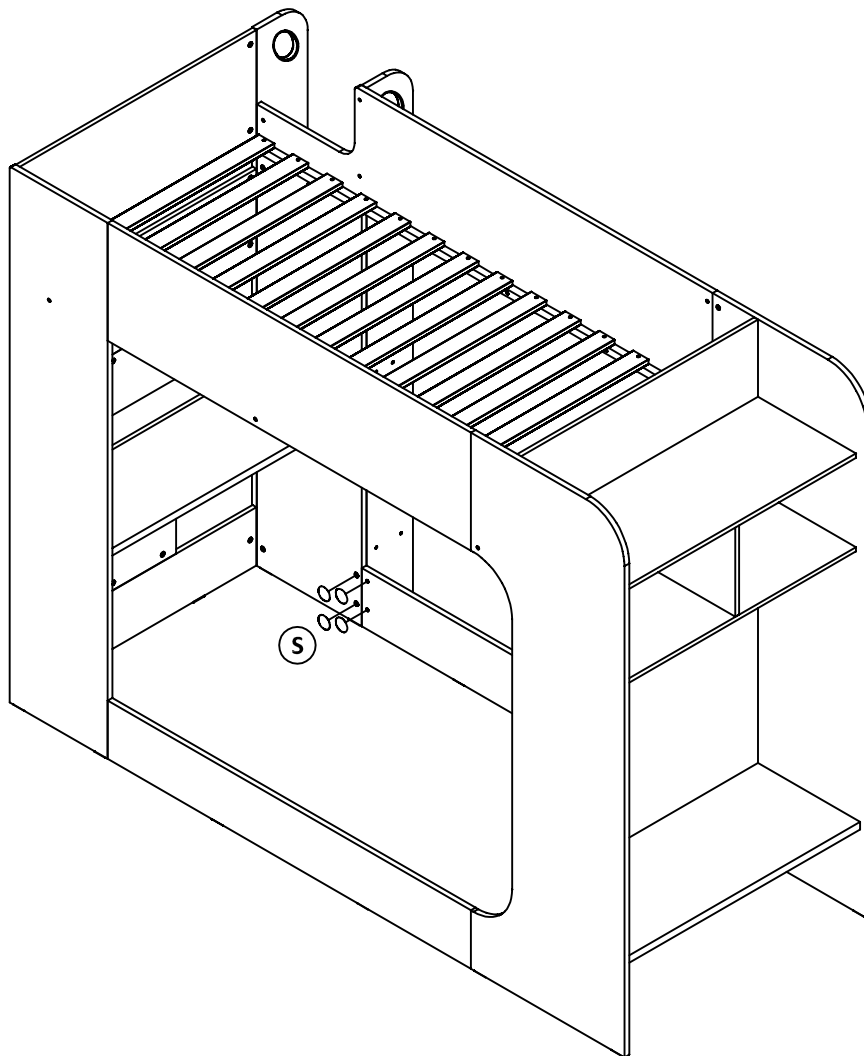
S x 13


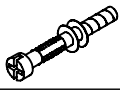
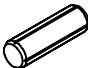


47




S x 8



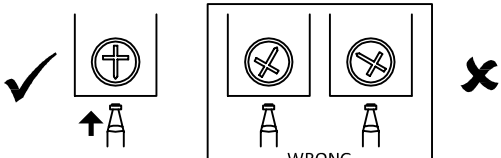
-  A x 10
-  B x 10
-  D x 13

WHEN FITTING CAM STUD
ENSURE THE CAM STUD IS FULLY TIGHTEN IN

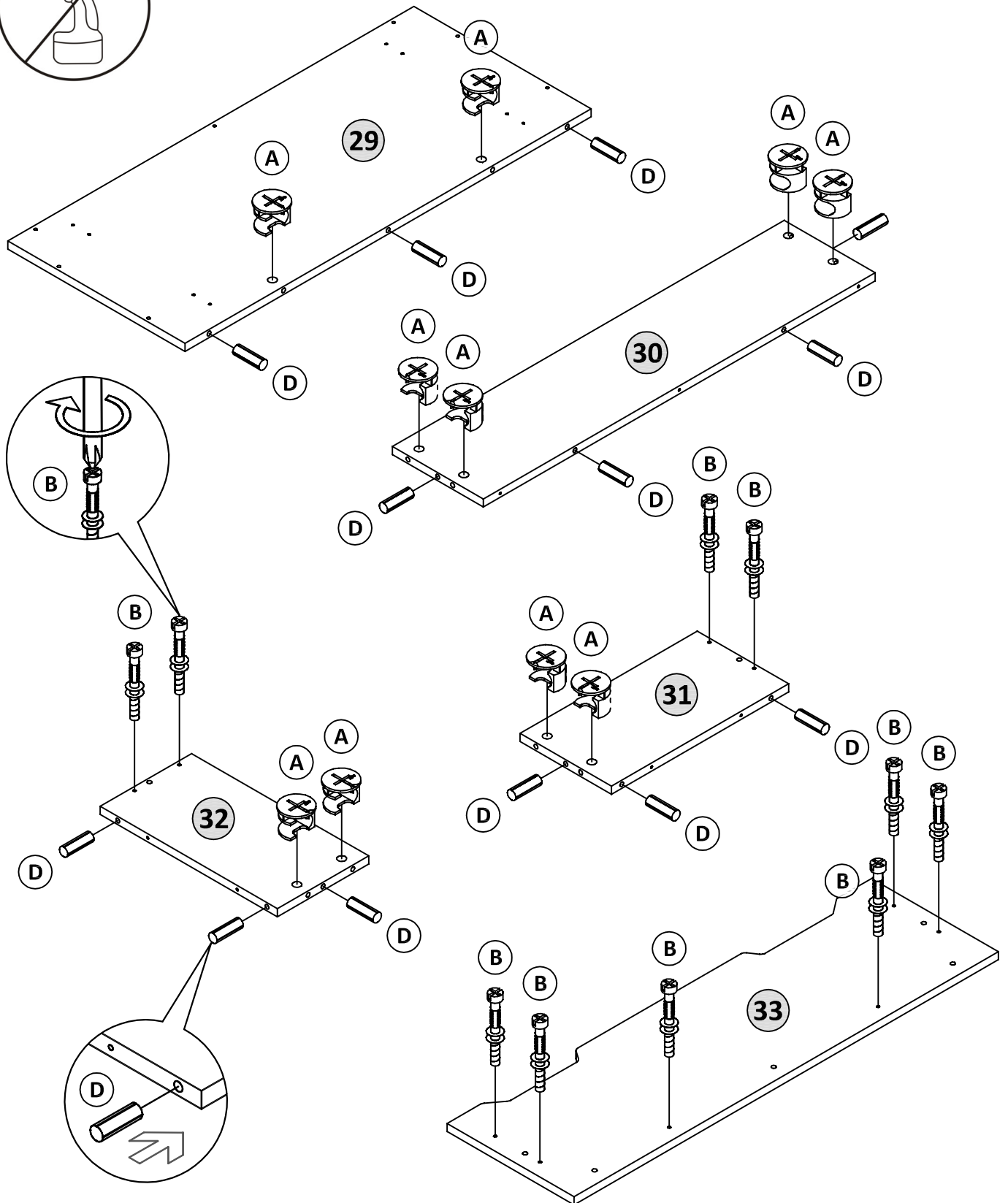


CORRECT WRONG

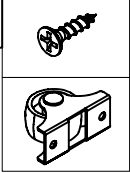
WHEN FITTING CAMS
ENSURE STARTING POSITION IS CORRECT BEFORE YOU INSERT CONNECTING BOLT TURN CLOCKWISE UNTIL SECURE



CORRECT WRONG

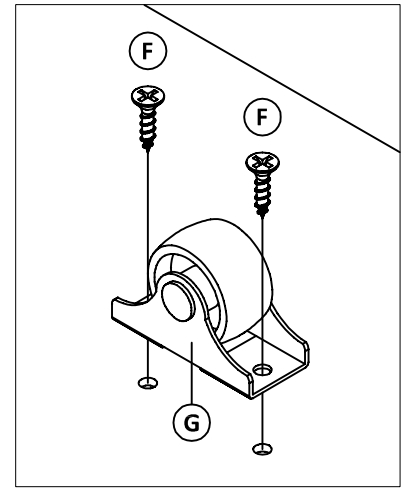
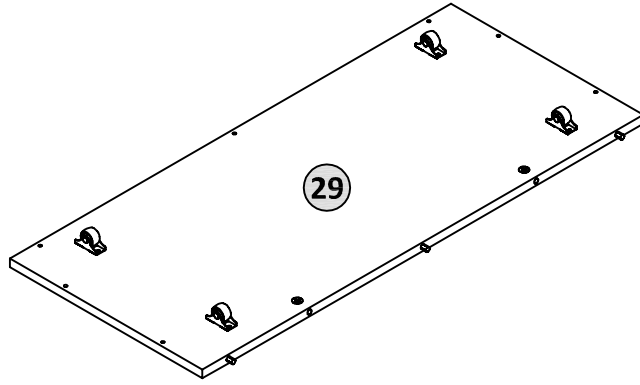


49

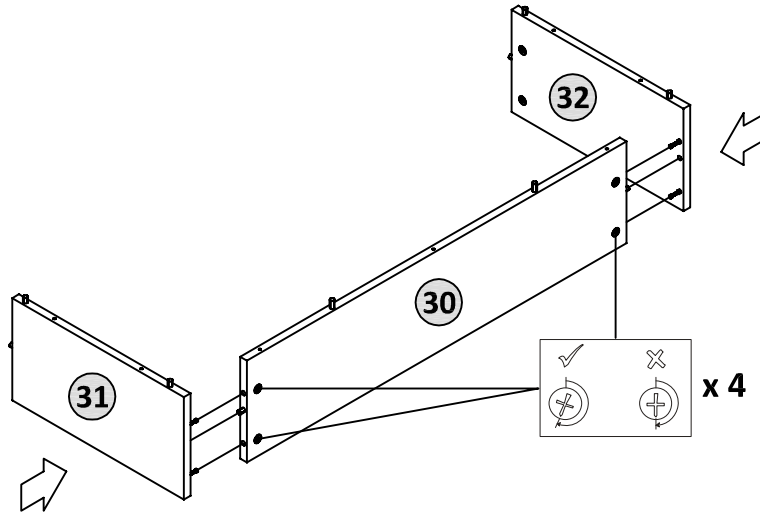


F x 8

G x 4



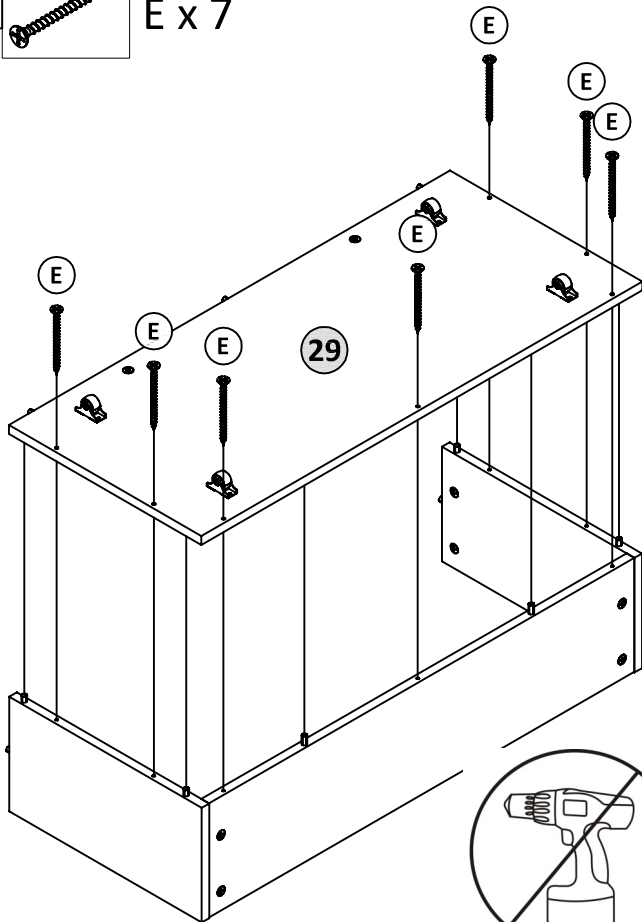
50



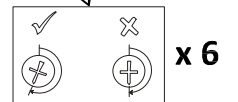
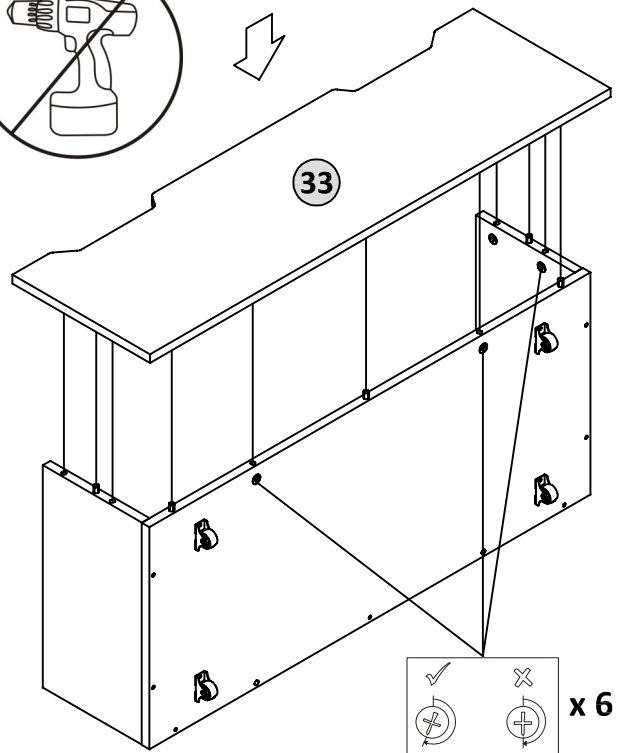
51



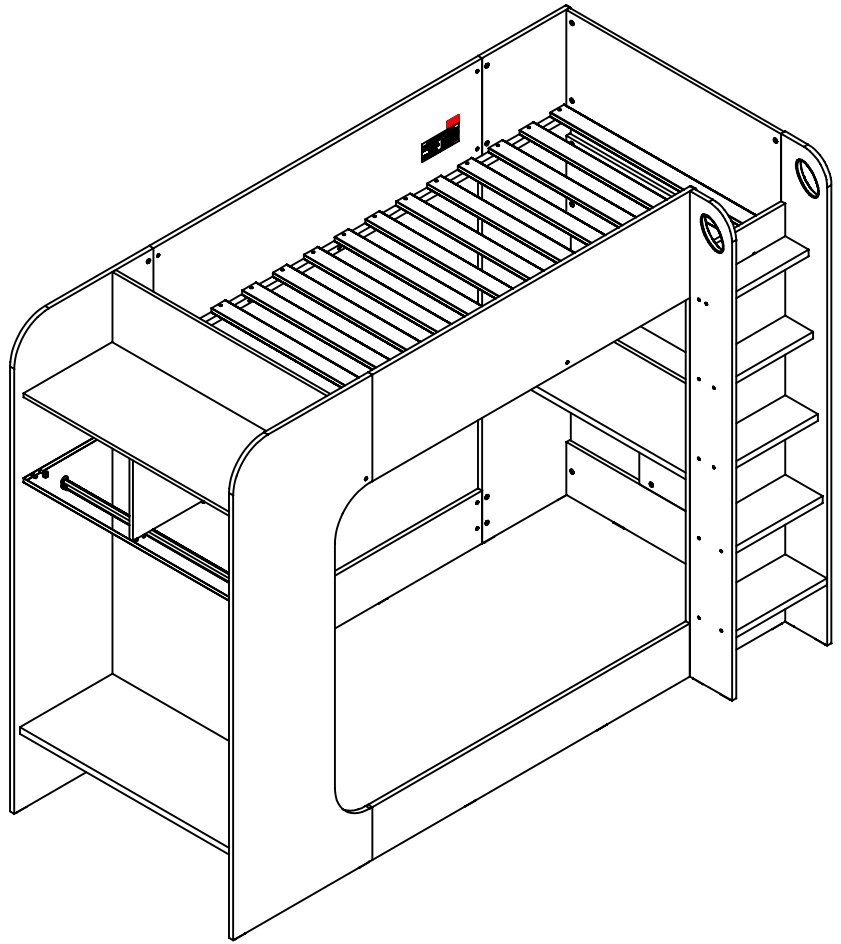
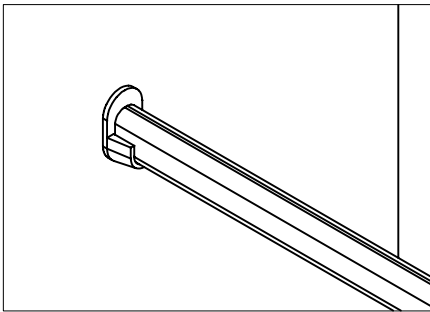
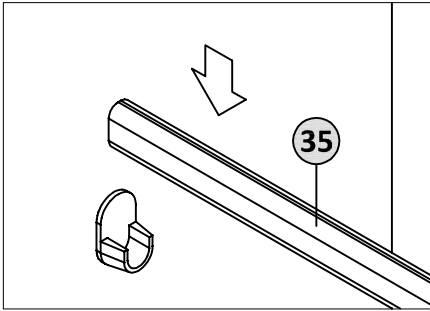
E x 7



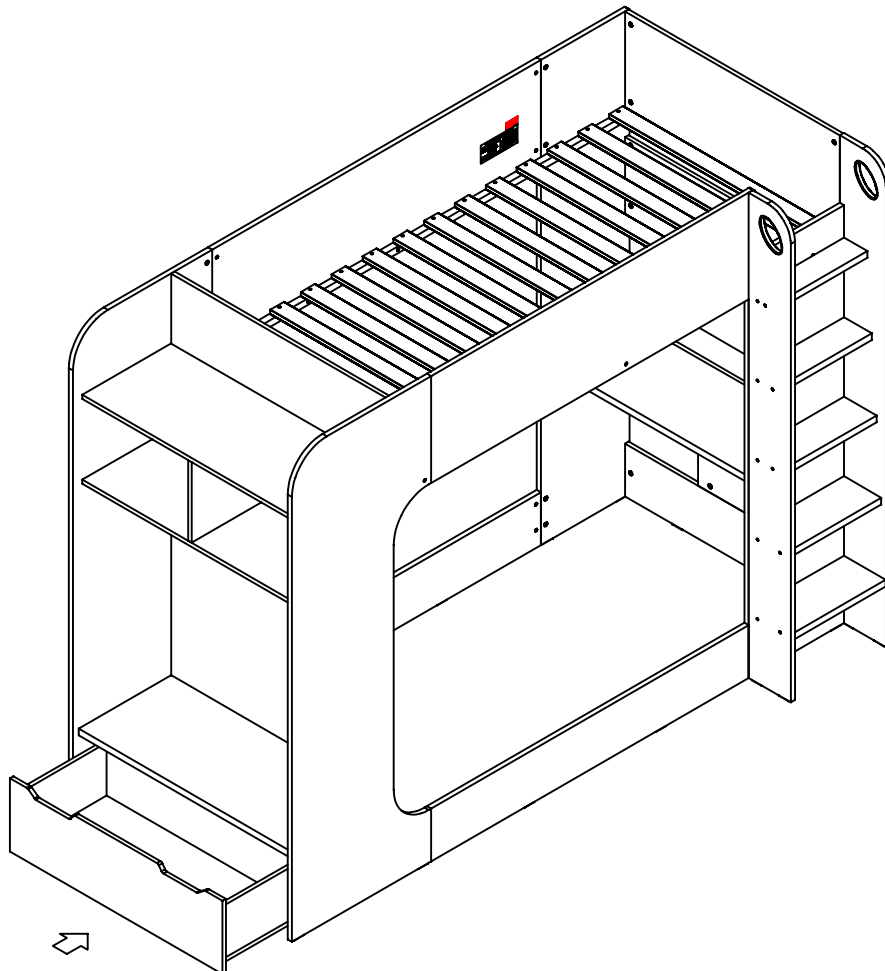
52



53



54



GENERAL CARE & MAINTENANCE

We advise that when cleaning the product that a damp cloth is used.

Avoid the use of all household cleaners and abrasive.

Never push or drag the furniture.

Never attempt to move the furniture when fully loaded.

We advise that periodically all fixing are re-tightened.