

ASSEMBLY INSTRUCTIONS

FABRIC STORAGE BED 150 CM

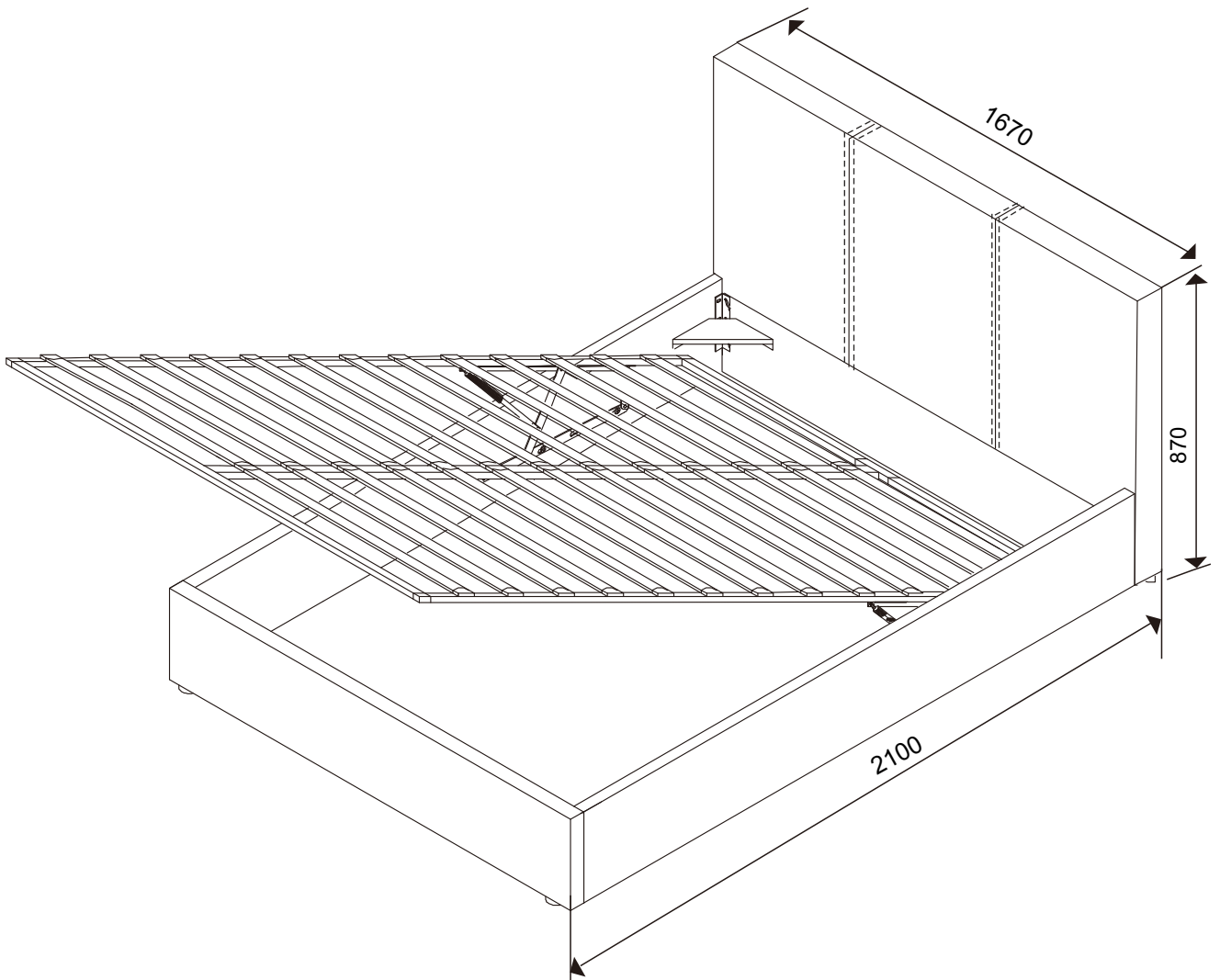
Approximate Assembly Time



People Required to Assemble



NO Extra
Tool Required



Before you start....

Please carefully unpack and lay out all of the component parts to ensure nothing is missing and to check each component for any obvious damage.

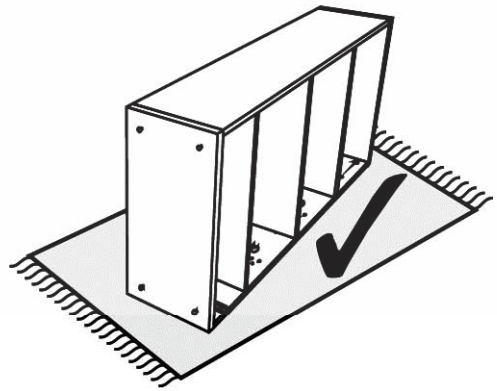
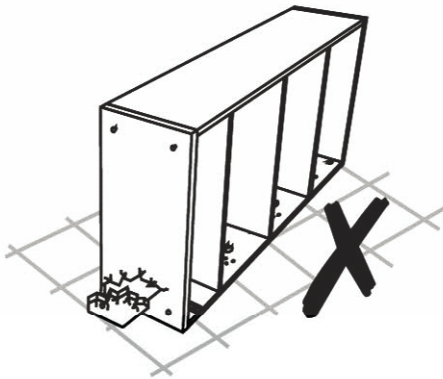
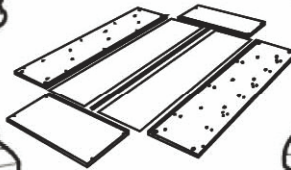
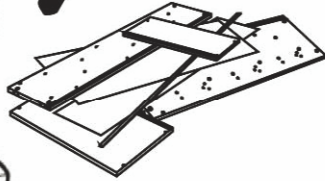
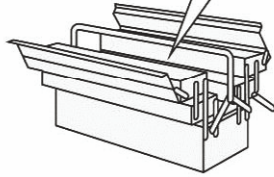
Should you identify any concerns at this stage please contact the retailer from whom this product was purchased. Please quote your order number, details of your issue, the product code, and the batch number from the cartons which will help to resolve your issue as quickly as possible.

Version Number - 1.0

Product Code - RIA302



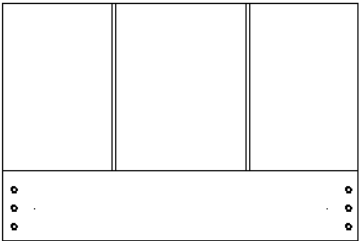


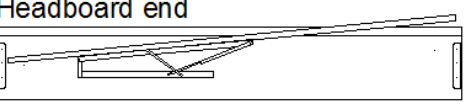
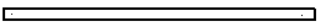
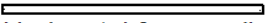
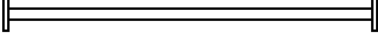
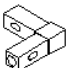
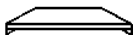
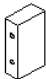


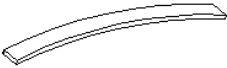

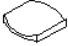
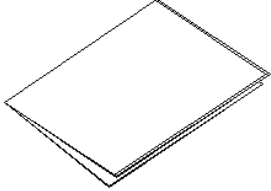
NO Extra
Tool Required



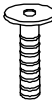

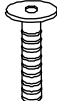

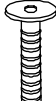




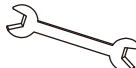
Contact Retailer

Please check all hardware matches the list below. Should you notice any are missing please contact your retailer.

PARTS

 <p>Headboard 1</p>	 <p>Footboard 2</p>	 <p>Headboard end Left side rail 3</p>		
		 <p>Headboard end Right side rail 4</p>		
 <p>Front / Back frame rail x 2 5</p>	 <p>Horizontal frame rail x 3 6</p>	 <p>Centre frame rail x 1 7</p>		
 <p>Plastic bracket sets x 4 8</p>	 <p>Corner brackets x 4 9</p>	 <p>Holding blocks x 1 10</p>	 <p>Adjustable legs x 4 11</p>	 <p>Belt x 1 12</p>
 <p>Bent slats x 30 13</p>	 <p>Side slat caps x 30 14</p>	 <p>Centre slat caps x15 15</p>	 <p>Woven fabric x 1 16</p>	

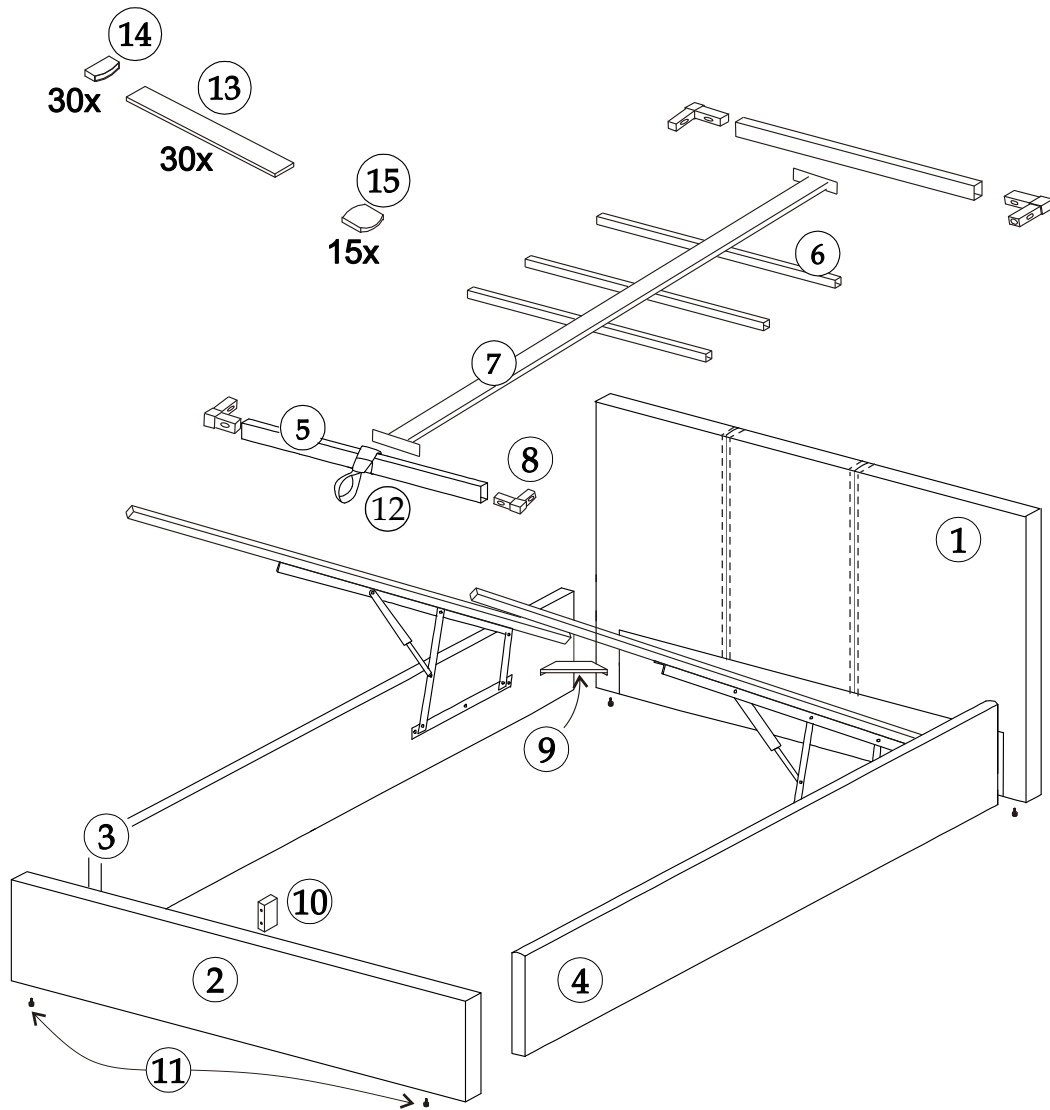
HARDWARE

<p>A  M8 x 25mm (12 PCS)</p>	<p>B  NUT (2 PCS)</p>	<p>C  M6 x 30mm (6 PCS)</p>	<p>D  M6 x 15mm (12 PCS)</p>
<p>E  M6 x 68mm (2 PCS)</p>	<p>F  FLAT WASHER (12 PCS)</p>	<p>G  SPRING WASHER (12 PCS)</p>	<p>H  5mm ALLEN KEY (1 PC)</p>
<p>I  4mm ALLEN KEY (1 PC)</p>	<p>J  SPANNER (1 PC)</p>		

We strongly advise that you do not use Power Tools, such as drills or electric screwdrivers during the assembly as this may cause irreparable damage and will invalidate your warranty.



PARTS



Please ensure you carefully check all the pieces, should you have any concerns please contact the retailer before assembly commences. Please have your order number, details of the issue, the product code, and the batch number from the cartons as this will help us to resolve your issue much faster.

ASSEMBLY ADVICE

Please take the time to carefully read through these instructions before you commence.

Keep these instructions for future reference.

We advise that the product is assembled in the room it is intended for.

We advise that you keep the hardware in a bowl during assembly to avoid losing anything.

We strongly recommend that you keep children away from the work area.

Small component parts could choke a child if swallowed.

We recommend you use a sheet or blanket to protect both floor and product through the assembly stages.

Never push or pull the product as this could cause both personal injury or irreparable damage to product or floor.

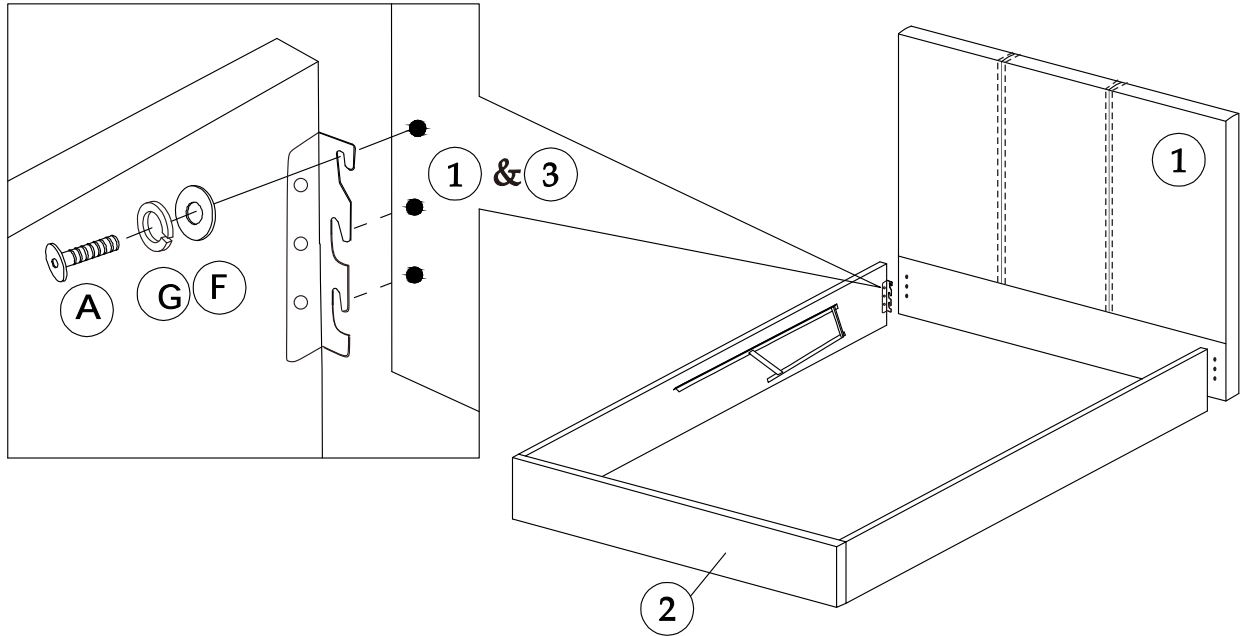
We have tried to make this piece of furniture easy to assemble if the instructions are followed carefully.

In the unlikely event that you have problems with assembling the product or have missing or damaged parts, please contact your retailer and we will assist them in rectifying the problem as quickly as possible.

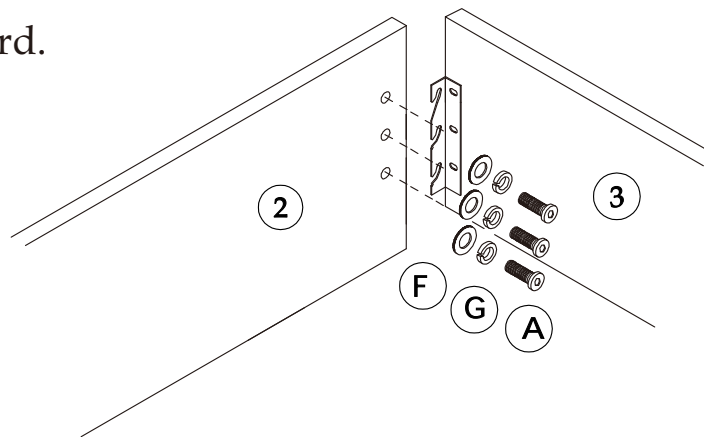
Remember we strongly urge you DO NOT use power tools such as drill or electric screwdrivers as this could cause irreparable damage to your product and will invalidate your warranty.



1 Attaching side rails to headboard.



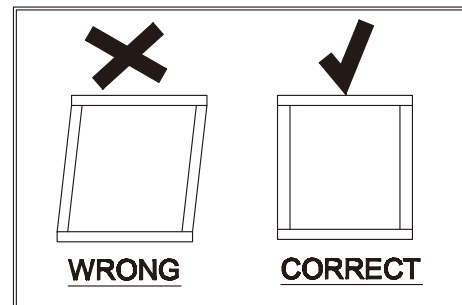
2 Repeat step 1 for footboard.



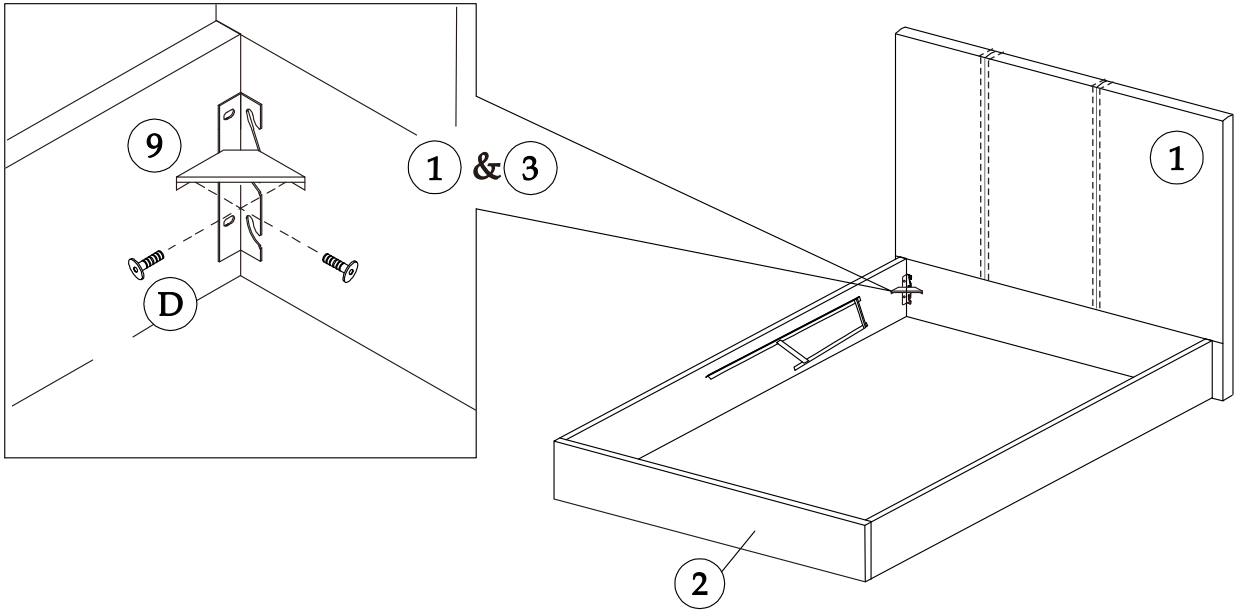
Before tightening the bolts, please ensure the bed frame is square.



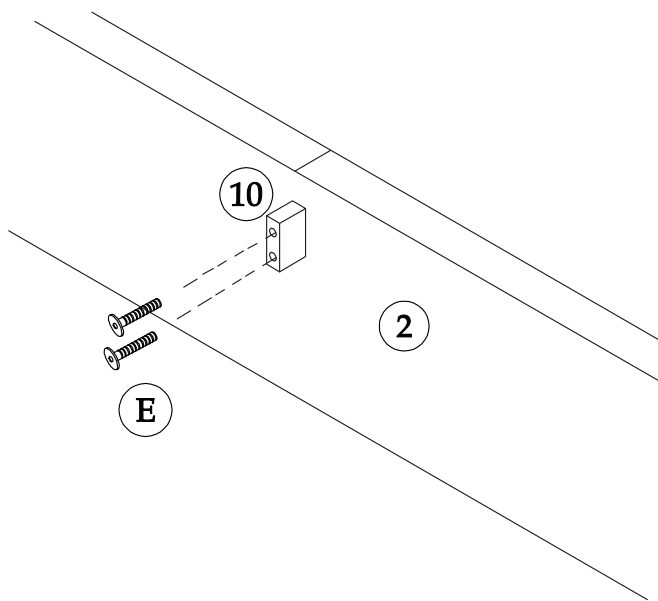
Do Not Use Power Tools



3



4

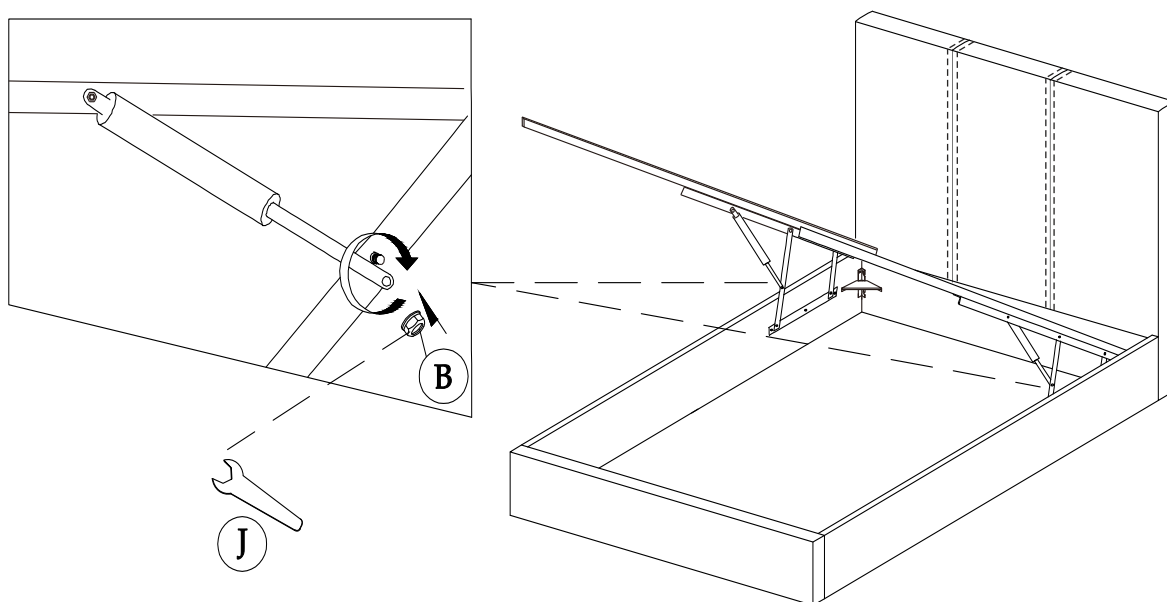


Do Not Use Power Tools

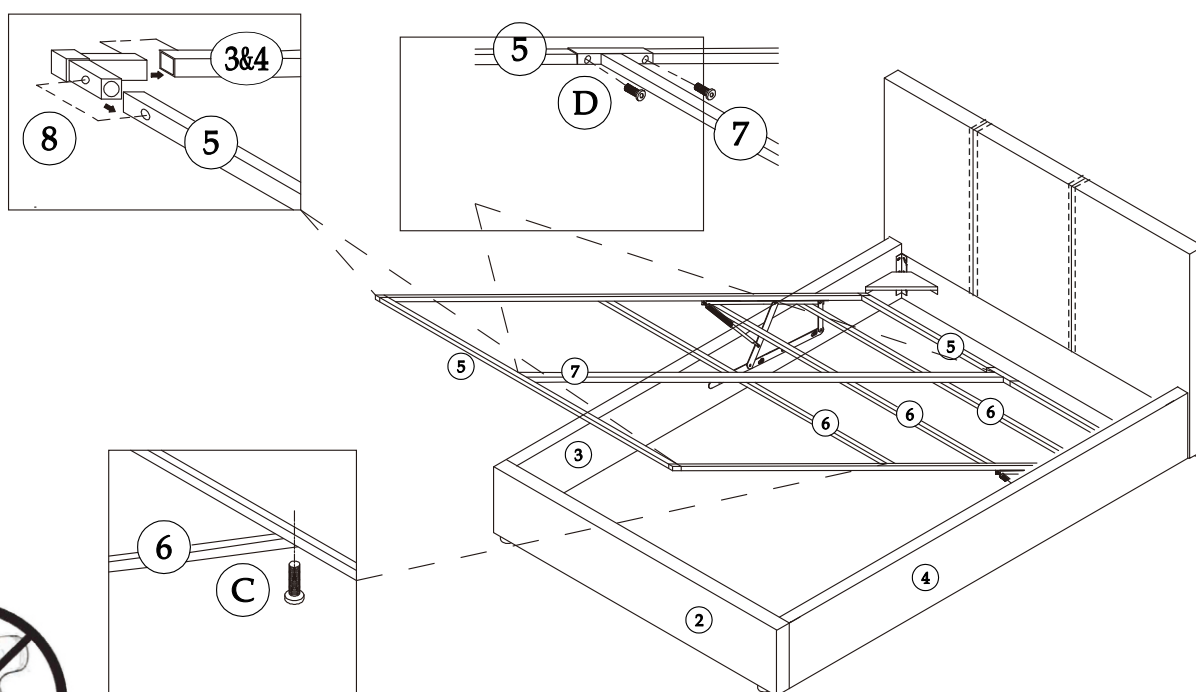
5 Secure hydraulic arms

Before connecting the hydraulic arm, ensure the lifting mechanism is functioning correctly - it should lift up and down freely with adequate clearance on all sides.

DO NOT OVERTIGHTEN THE NUTS !

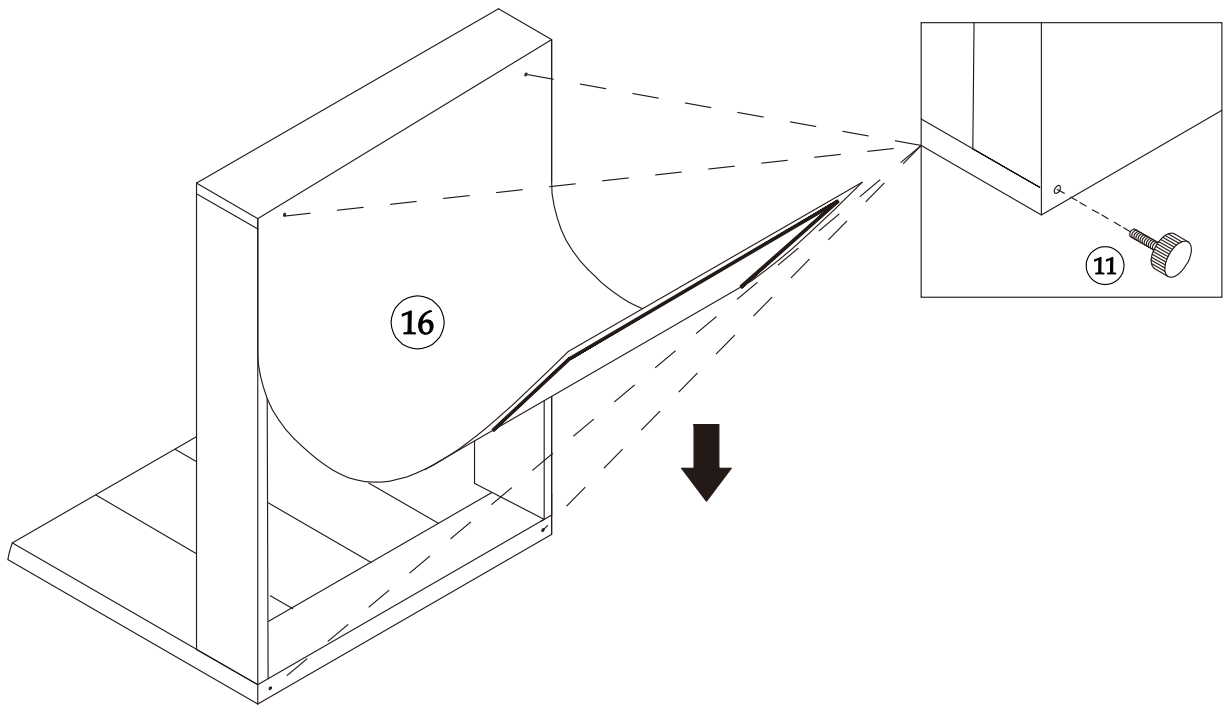


6 Assemble the base

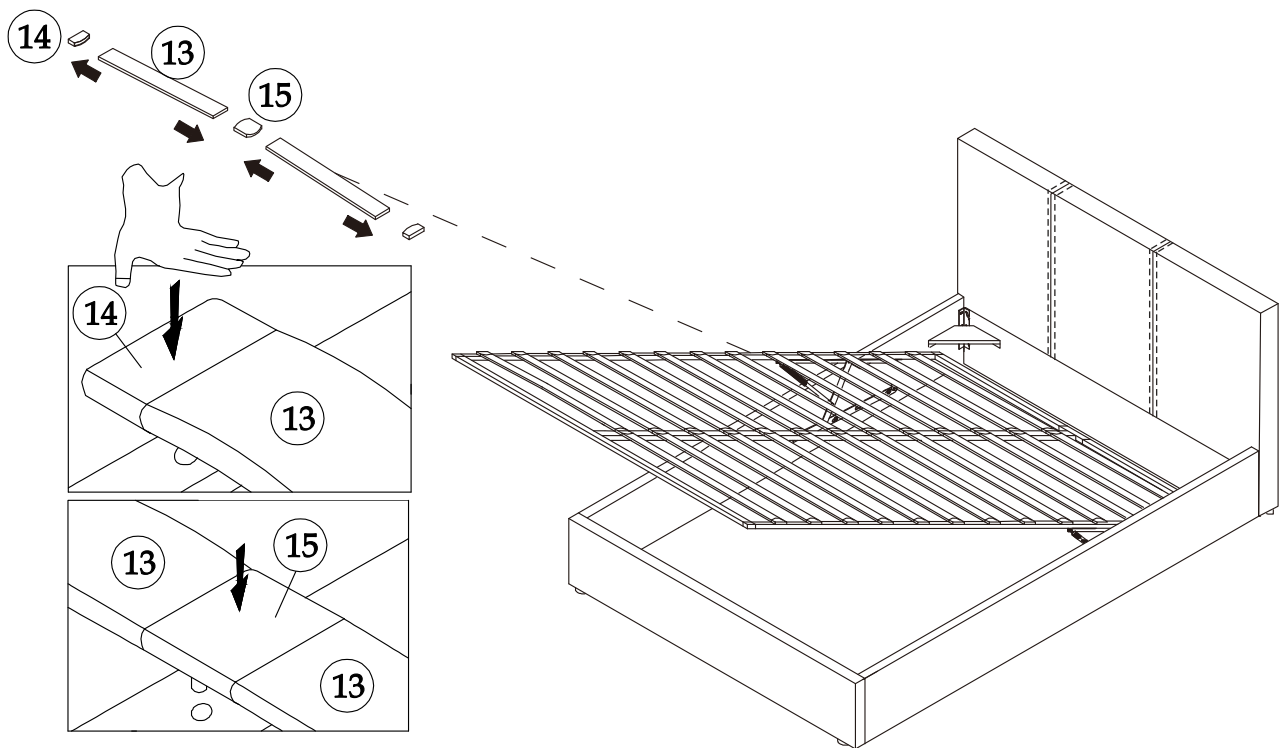


Do Not Use Power Tools

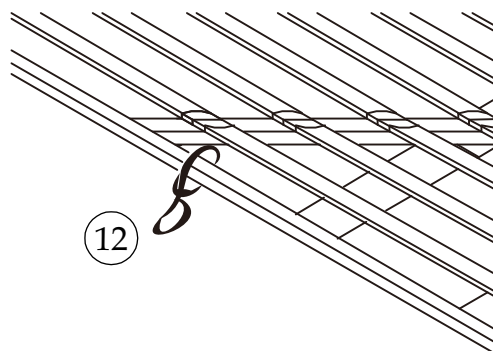
7 Attach non-woven fabric dust cover first, then adjustable legs.



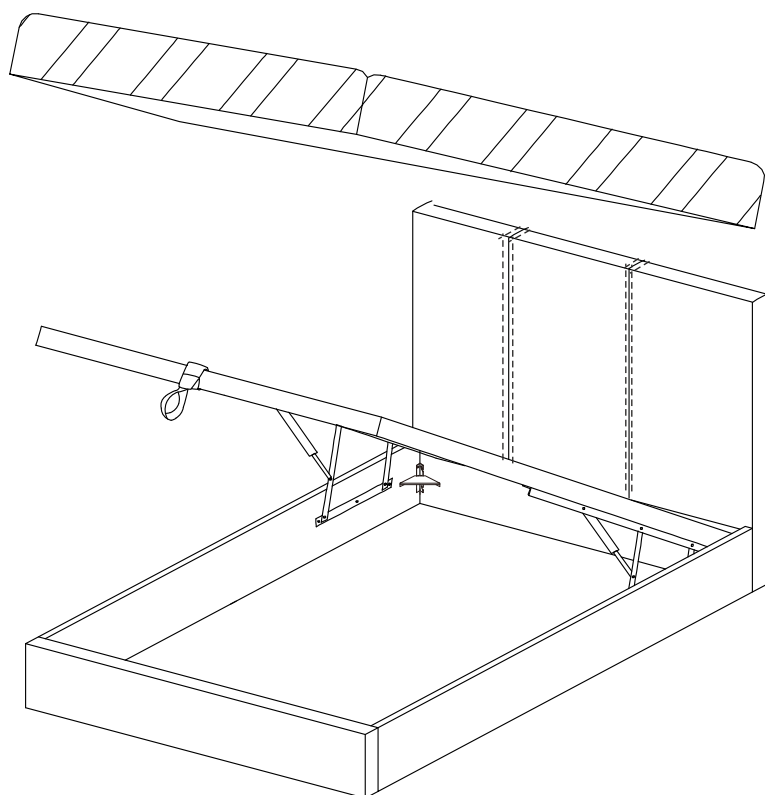
8 Assemble slats



- 9 Attach belt to the metal frame by loop-on method as shown, pull tight after loop-on.



- 10 Place the mattress onto the frame. (MATTRESS NOT INCLUDED)



Notes:

It is imperative that the bed is aligned squarely to prevent the frame from catching on and damaging the upholstered side rails. Please use extra caution when opening and closing the bed, ensure a similar spacing on each side of the frame.

GENERAL CARE & MAINTENANCE

We advise that when cleaning the product that a damp cloth is used.

Avoid the use of all household cleaners and abrasive.

Never push or drag the furniture.

Never attempt to move the furniture when fully loaded.

We advise that periodically all fixing are re-tightened.