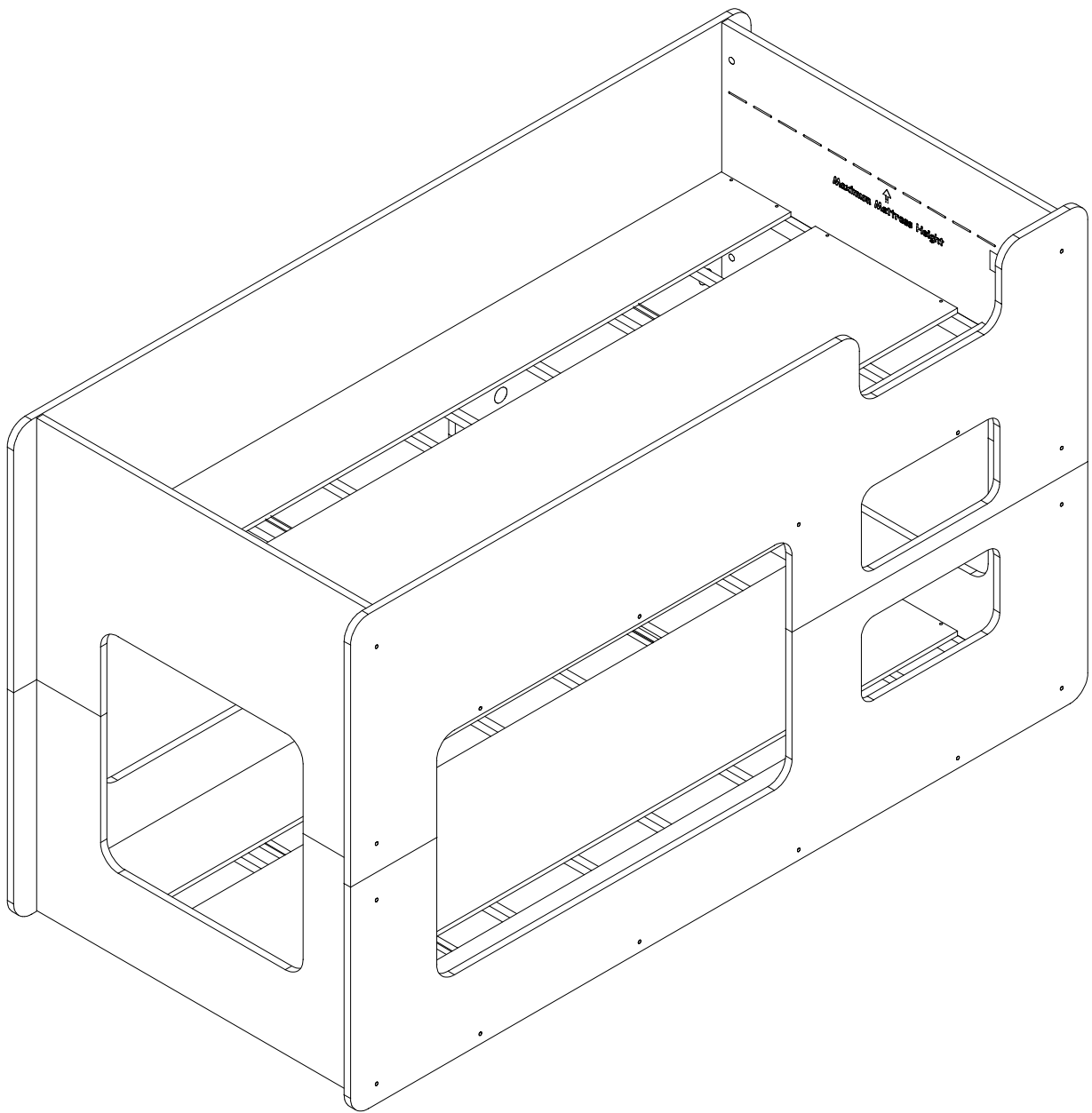


**IMPORTANT - READ CAREFULLY - RETAIN
FOR FUTURE REFERENCE**

Bunk Bed

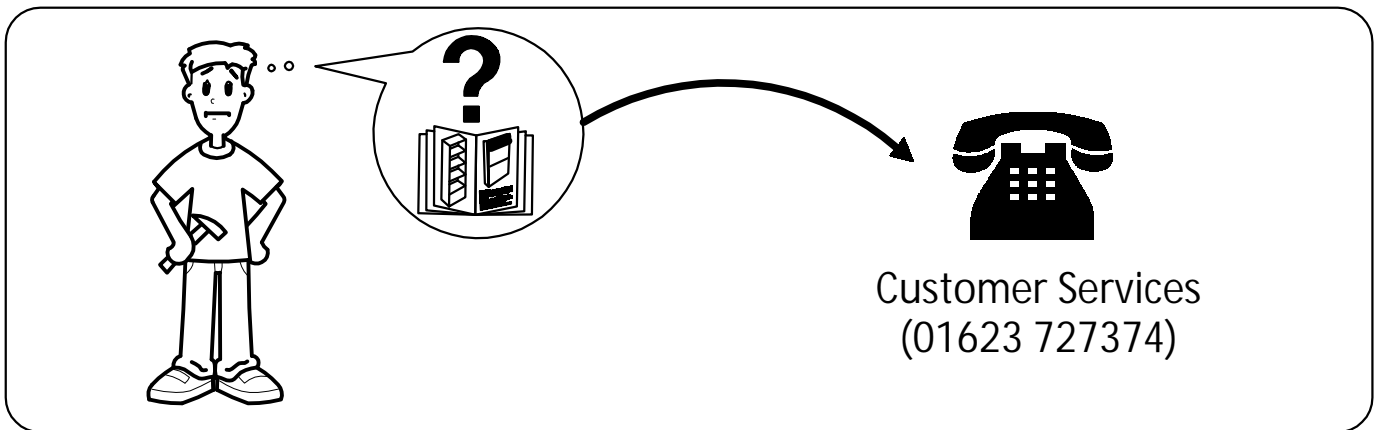
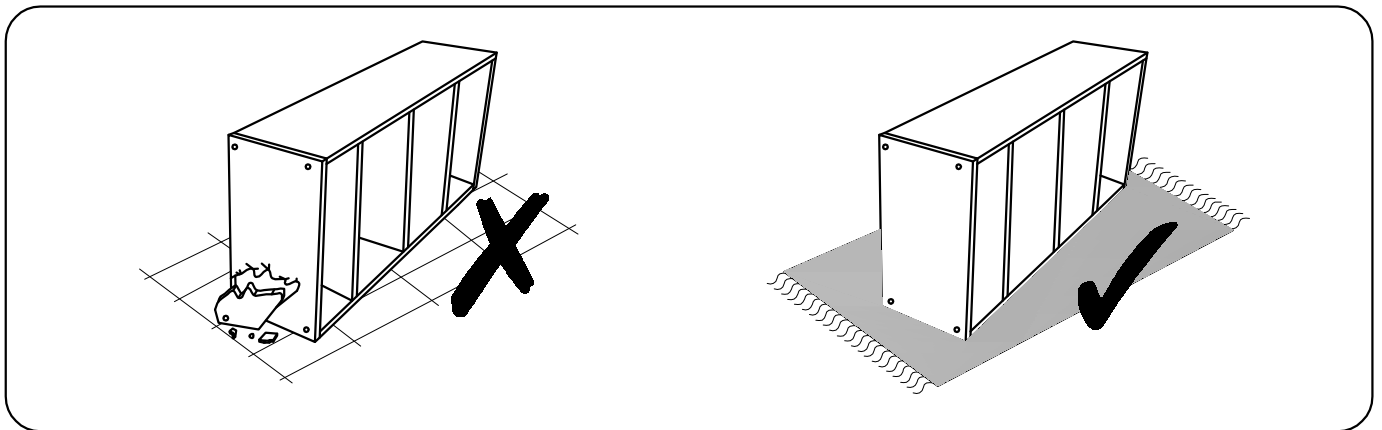
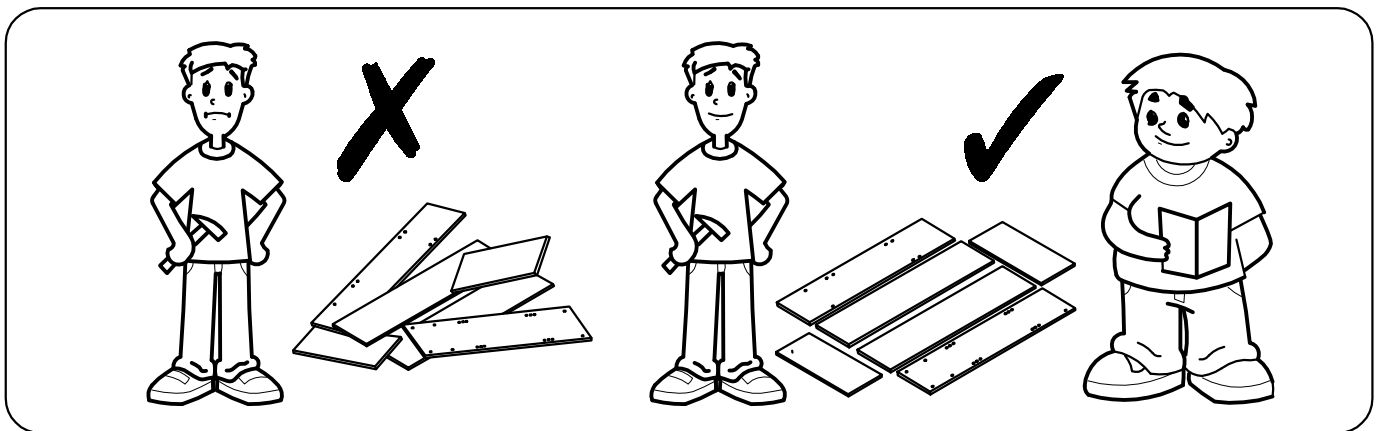
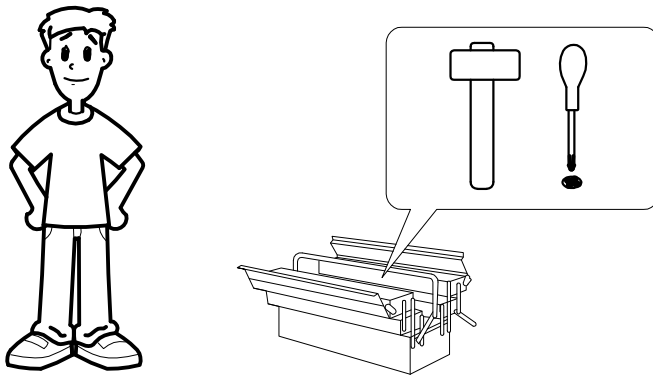
Assembly Instructions



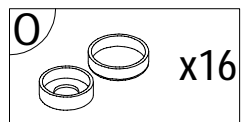
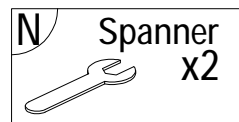
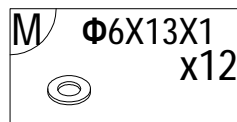
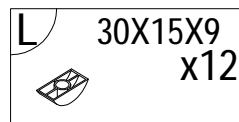
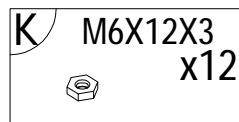
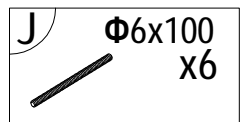
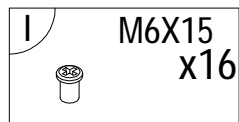
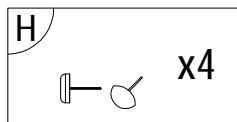
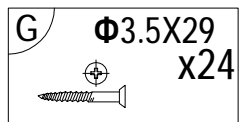
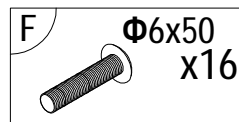
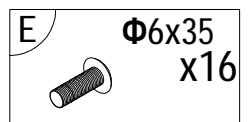
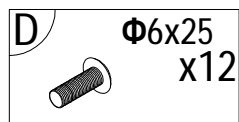
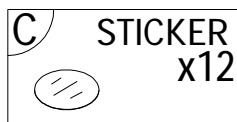
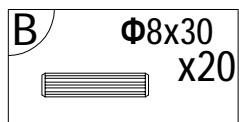
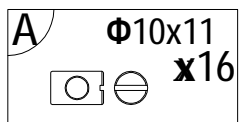
VERSION:201118

SOL 001
SOL 002

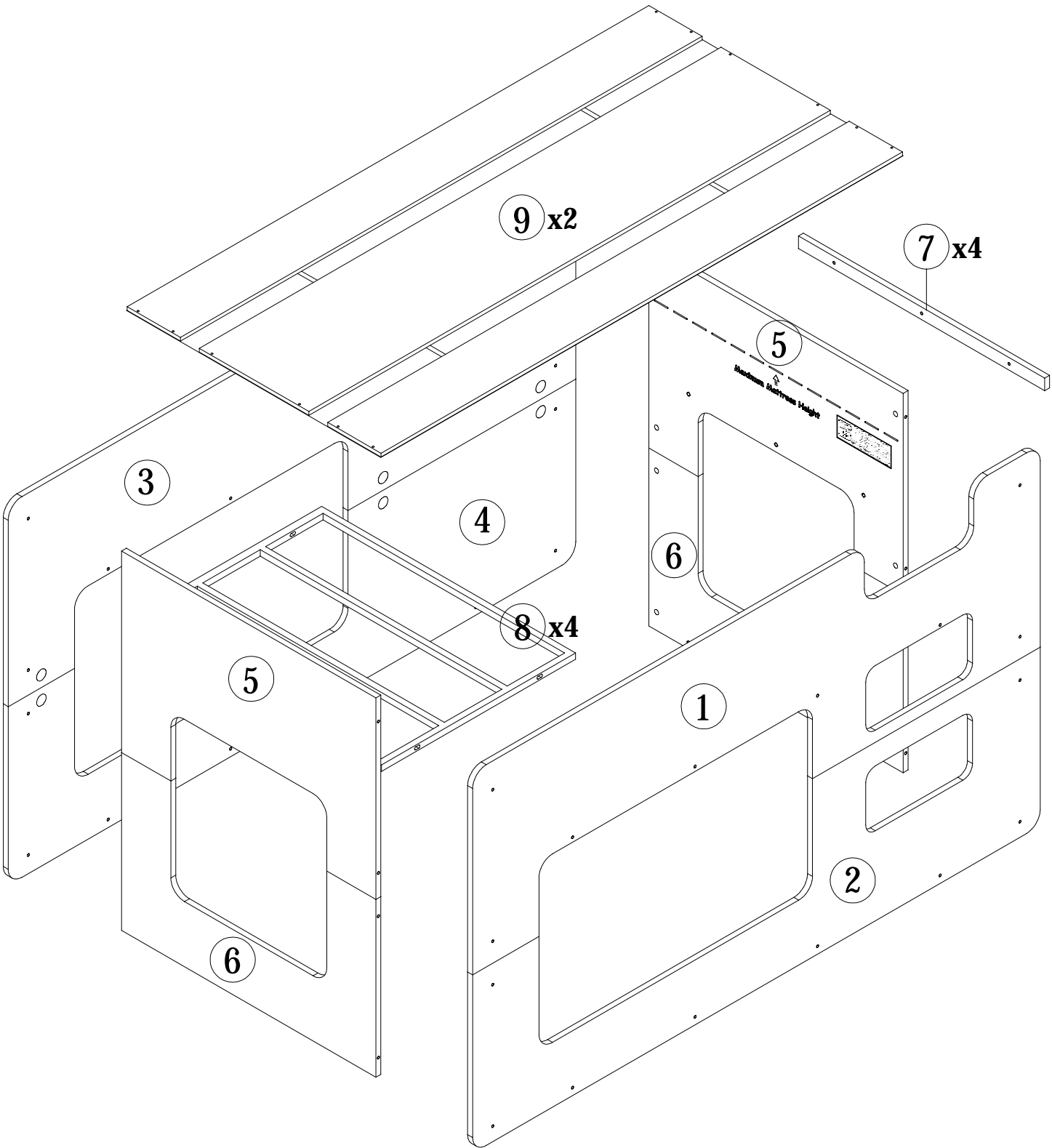
We strongly urge that you do not use Power Tools, such as drills or electric screwdrivers during this assembly as this could cause irreparable damage to your product and will invalidate the warranty.



HARDWARE



PARTS



Safety Advice

WARNING: This bunk is intended for use by children only, with a maximum recommended weight of 75 Kg. Julian Bowen Ltd. cannot be held responsible for failure or damage to the bunk or personal injuries should this warning be ignored

Please take the time to carefully read through the whole of these instructions before you commence. Keep these instructions for future reference.

Unpack, inspect and check off all of the contents.

Please dispose of all packaging safely.

Small component parts could choke a child if swallowed.

We strongly recommend that you keep children well away from the work area.

It would be sensible to lay a sheet or blanket on the floor where you intend to work to avoid scratching this product and to protect your floor.

This product is heavy. Take extreme care when lifting to avoid personal injury or damage to the product.

Assemble the product as close to its intended final position in the room as possible.

Please check the contents of the boxes before attempting to assemble this product.

A full checklist of parts and fittings is given in pages 3 and 4 of this instruction leaflet.

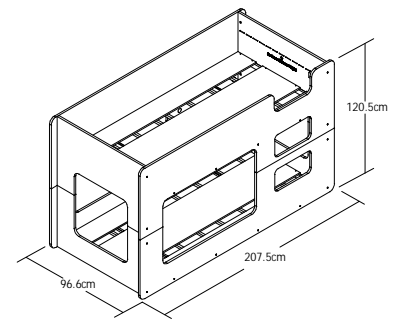
HANDY HINT: If you keep the hardware in a bowl during assembly you will be less likely to lose

Important Information

Tighten firmly all the fittings when the assembly is complete.

The bed base is an integral and in dissociable part of the bed.

WARNING: High beds and the upper bed of bunk beds are not suitable for children under six years due to the risk of injury through falls.



WARNING: It is not safe to use this product if any part of the structure is missing or broken.

Always check fixings of the items and re-tighten all the screws periodically.

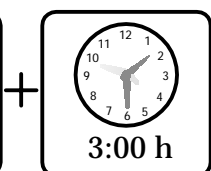
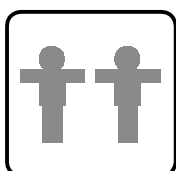
WARNING: Bunk beds and High beds can present a serious risk of injury from strangulation if not used correctly. Never attach or hang items to any part of the bunk bed that are not designed to be used with the bed, for example, but not limited to ropes, strings, cords, hooks, belts and bags.

WARNING: Children can become trapped between the bed and the wall, a roof pitch, the ceiling, adjoining pieces of furniture (e.g cupboards) and the like. To avoid risk of serious injury the distance between the top safety barrier and the adjoining structure shall not exceed 75 mm or shall be more than 230 mm. It is recommended that you always follow the manufacturer's instructions to assemble this product.

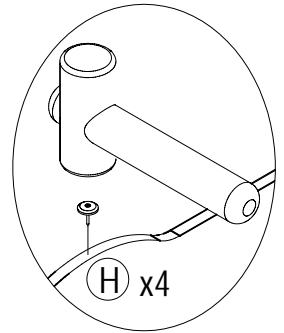
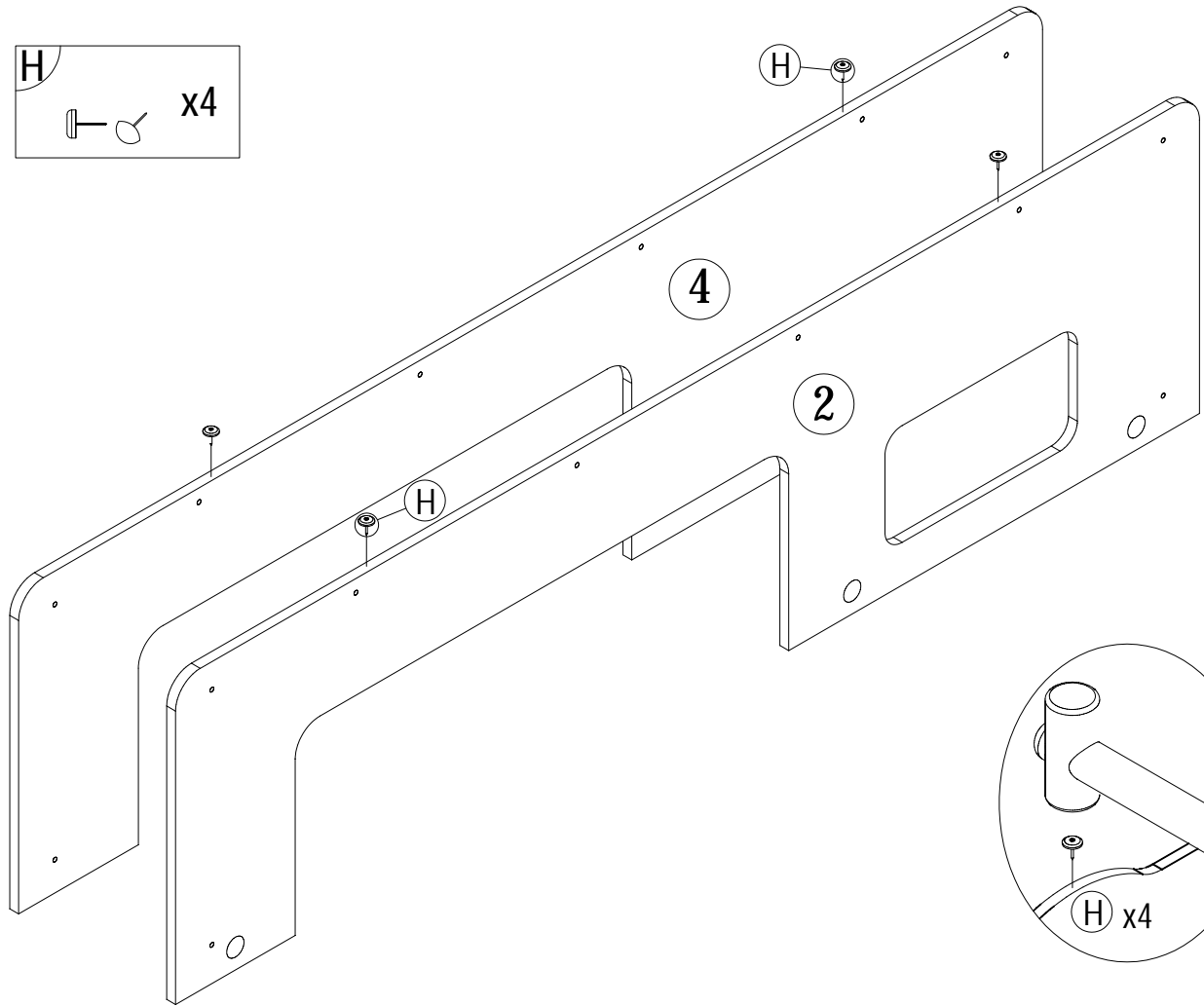
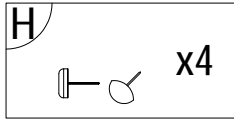
Always follow the manufacturer's recommended mattress size, as per these Instructions and the bunk bed / high bed maximum mattress height marking on the item: "91cm W x 190cm L with a Maximum Depth of 21.0cm."

It is necessary to frequently ventilate the room in order to keep the humidity low and to prevent mold in and around the bed.

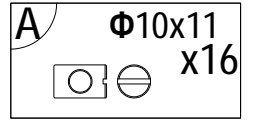
This item conforms to European Safety Standards - BS EN 747-1: 2012 + A1:2015



1

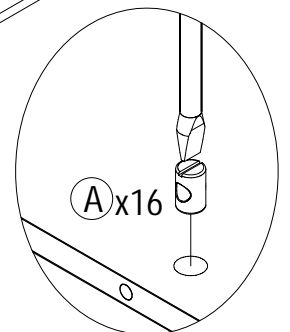
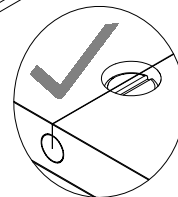
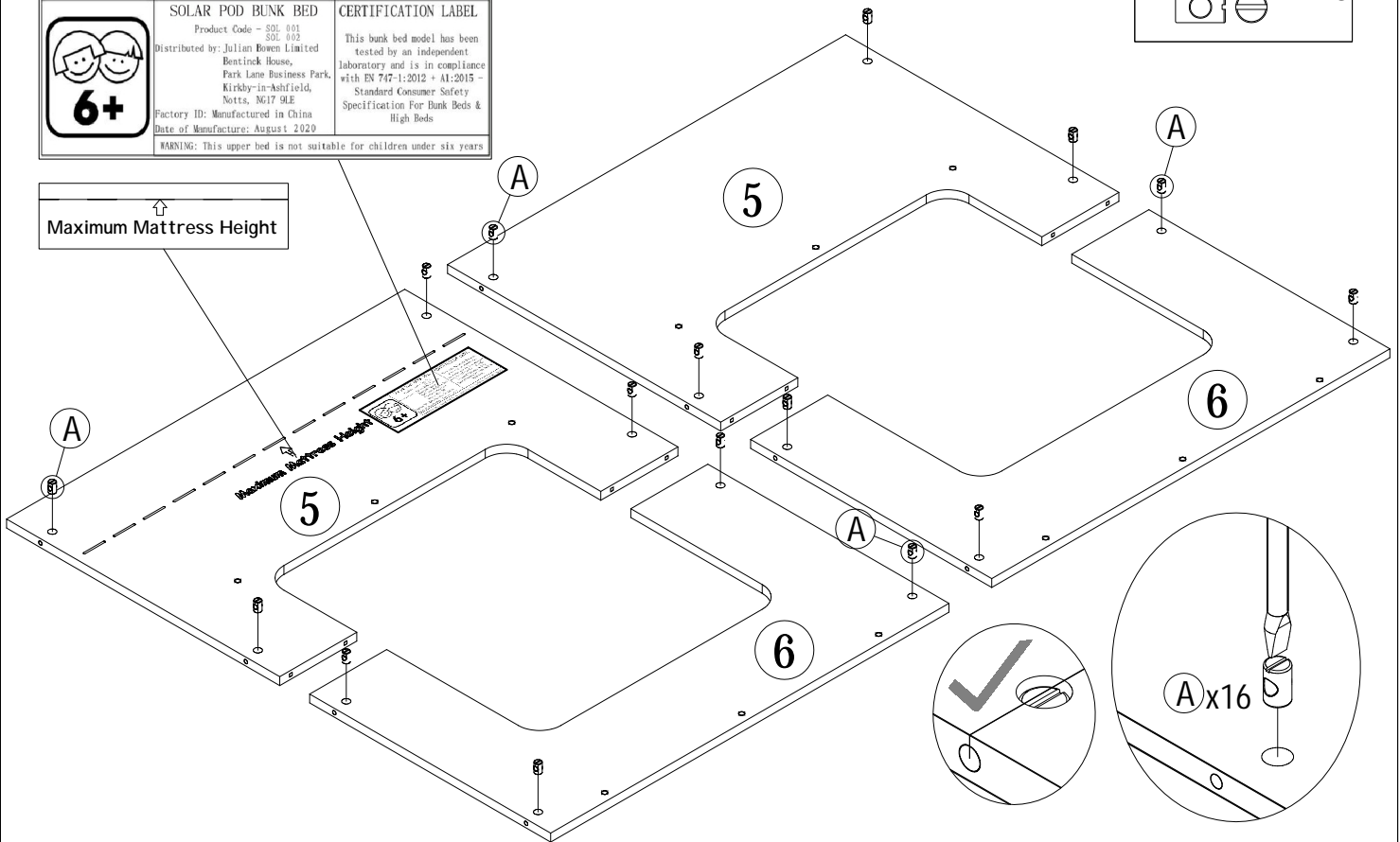


2



	SOLAR POD BUNK BED	CERTIFICATION LABEL
	Product Code - SOL 001 SOL 002	This bunk bed model has been tested by an independent laboratory and is in compliance with EN 747-1:2012 + A1:2015 - Standard Consumer Safety Specification For Bunk Beds & High Beds
	Distributed by: Julian Bowen Limited Bentink House, Park Lane Business Park, Kirby-in-Ashfield, Notts, NG17 9LE	
	Factory ID: Manufactured in China Date of Manufacture: August 2020	
	WARNING: This upper bed is not suitable for children under six years	

Maximum Mattress Height



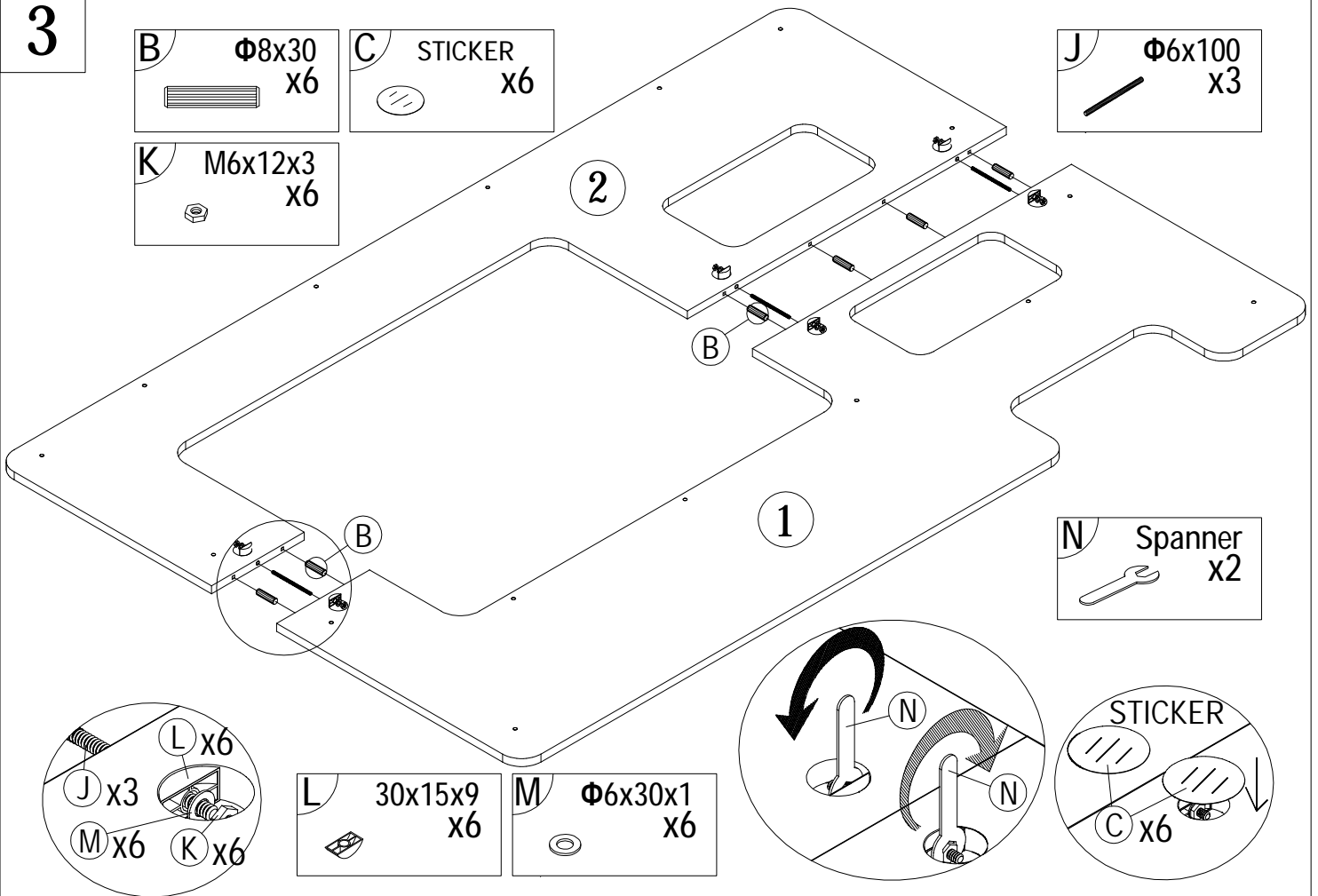
3

B $\Phi 8 \times 30$
x6

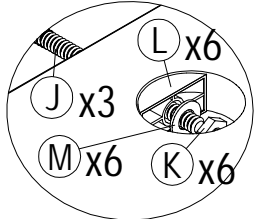
C STICKER
x6

J $\Phi 6 \times 100$
x3

K M6x12x3
x6

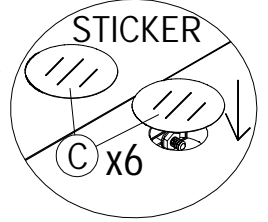
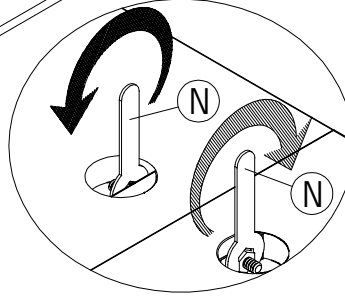


N Spanner
x2



L 30x15x9
x6

M $\Phi 6 \times 30 \times 1$
x6



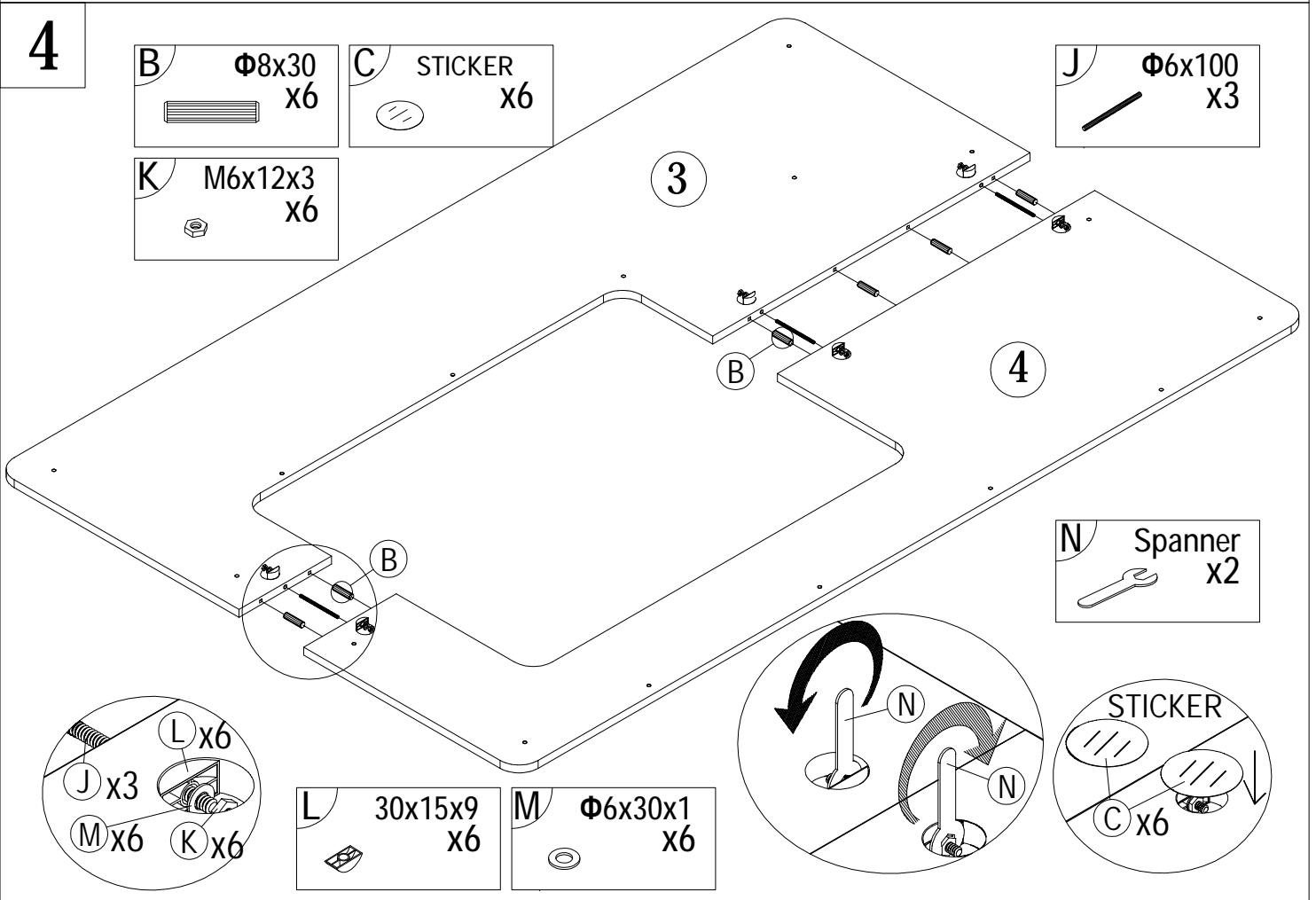
4

B $\Phi 8 \times 30$
x6

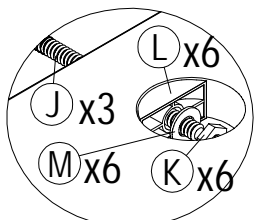
C STICKER
x6

J $\Phi 6 \times 100$
x3

K M6x12x3
x6

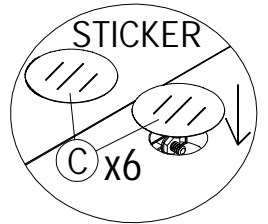
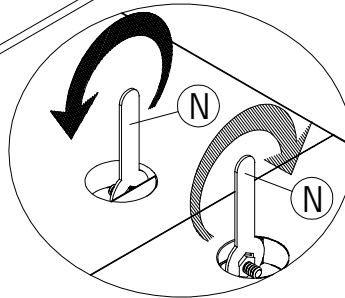


N Spanner
x2

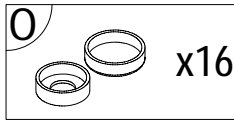
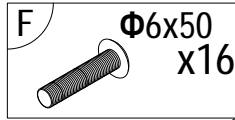
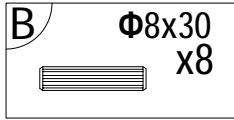


L 30x15x9
x6

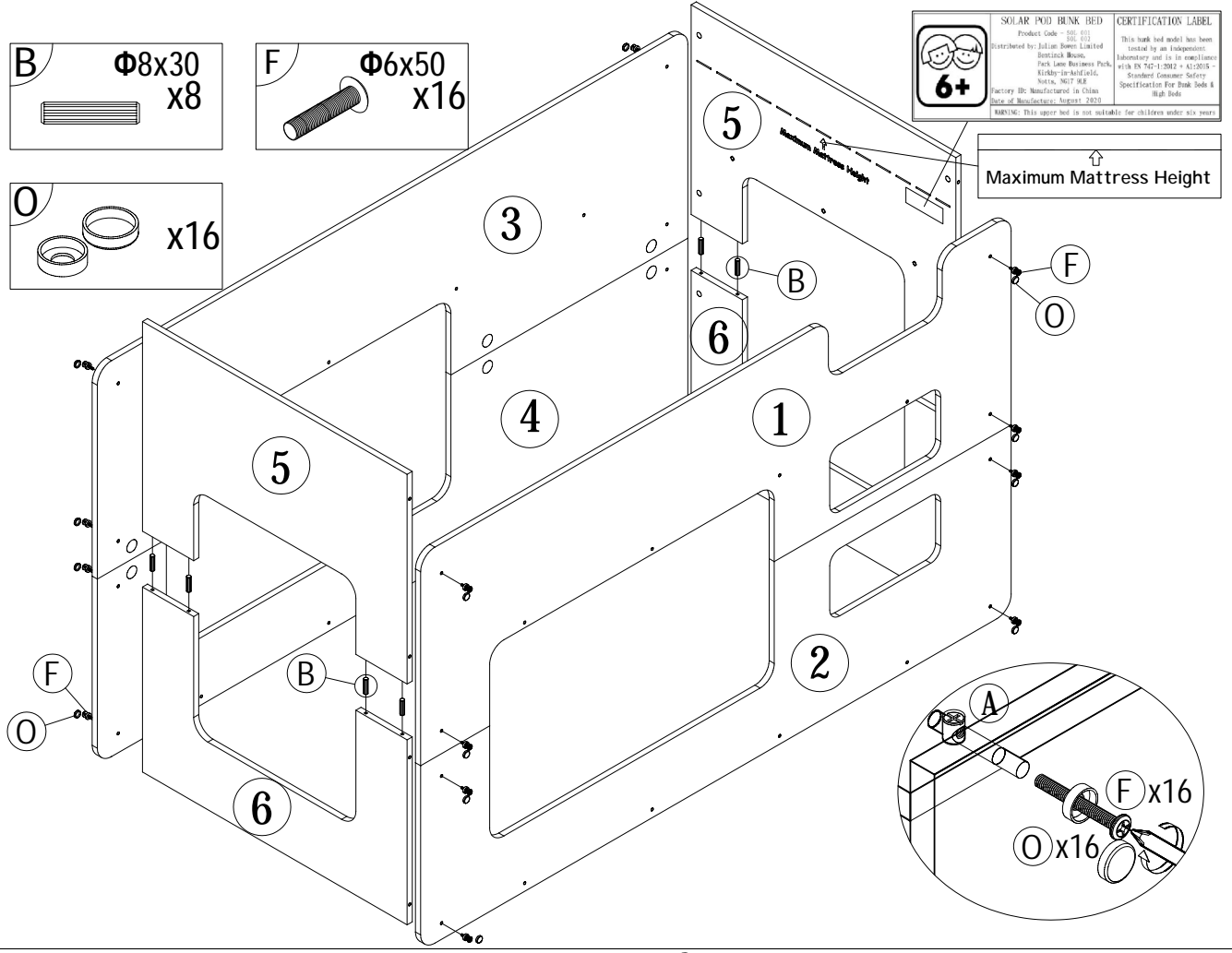
M $\Phi 6 \times 30 \times 1$
x6



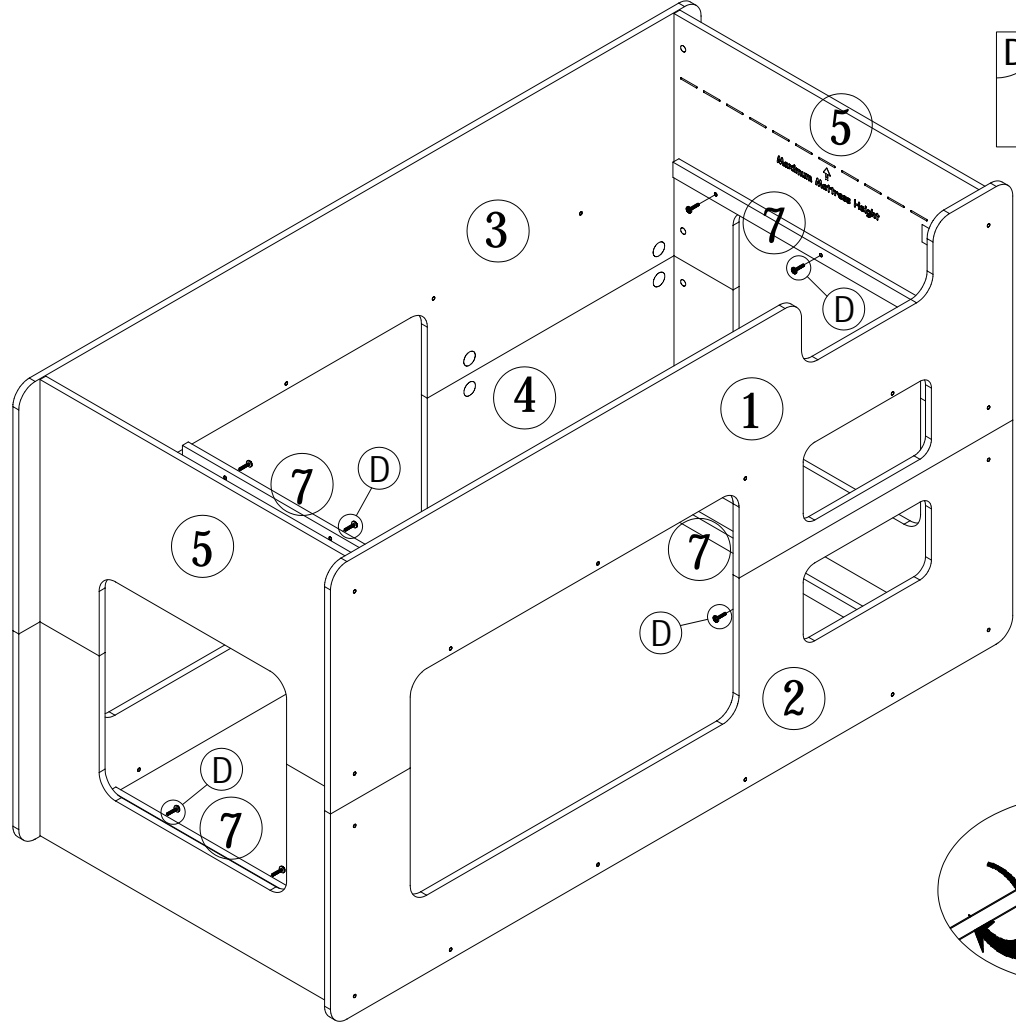
5



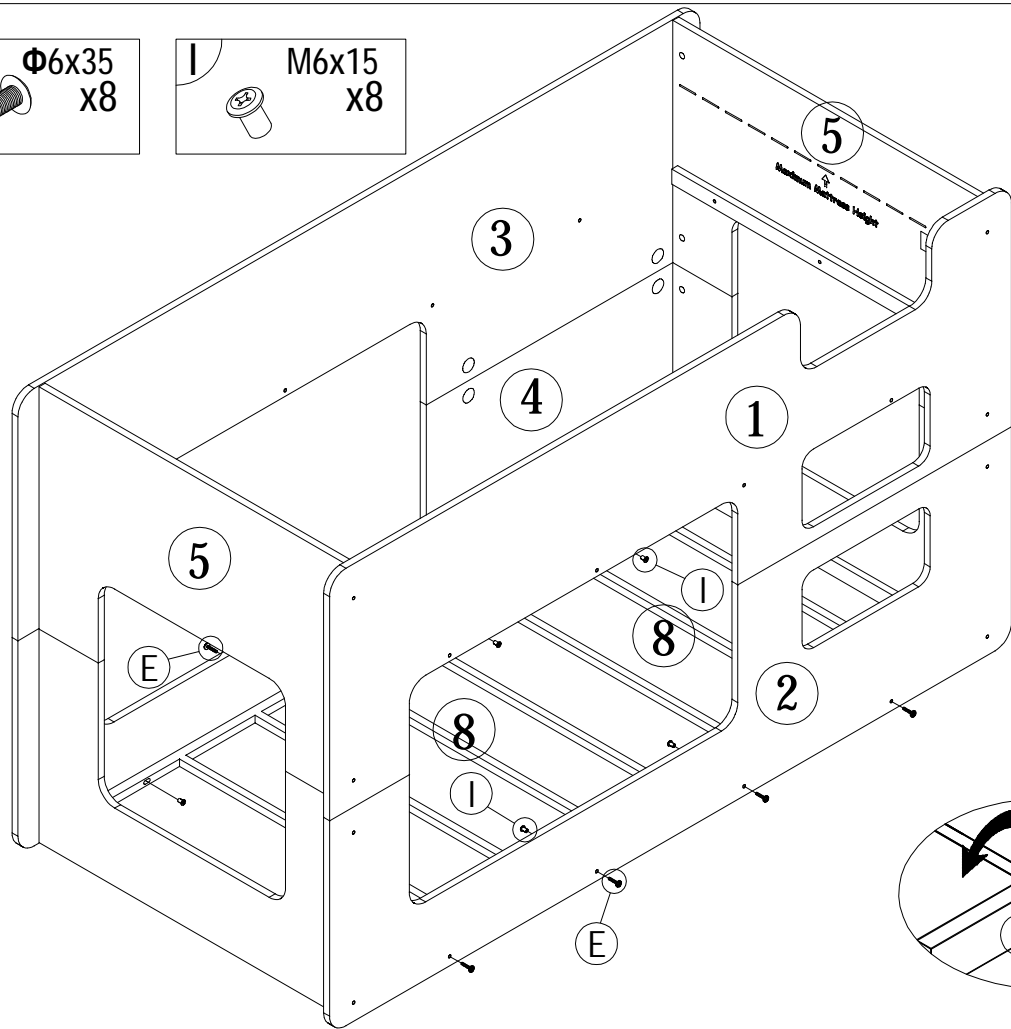
	SOLAR POOD BUNK BED	CERTIFICATION LABEL
	Product Code: 502 011	This bunk bed model has been tested by an independent laboratory and is in compliance with BS 747-1:2002 + A1:2015 - Standard Consumer Safety Specification For Bunk Beds & High Beds
	Distributed by: Julian Bowen Limited Bentnck Wood, Park Lane Business Park Kilby-to-Ashfield, Nottingham	
	Factory ID: Manufactured in China Date of Manufacture: August 2019	



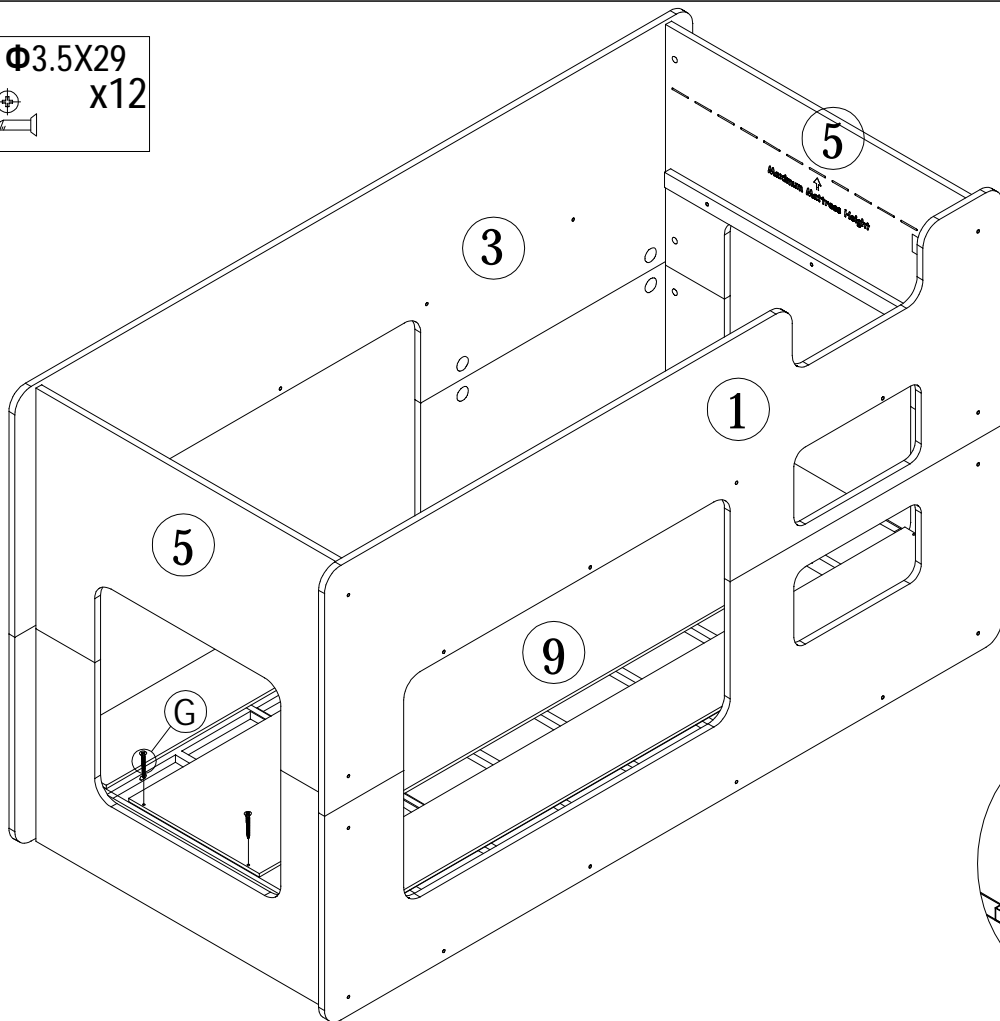
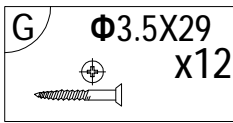
6



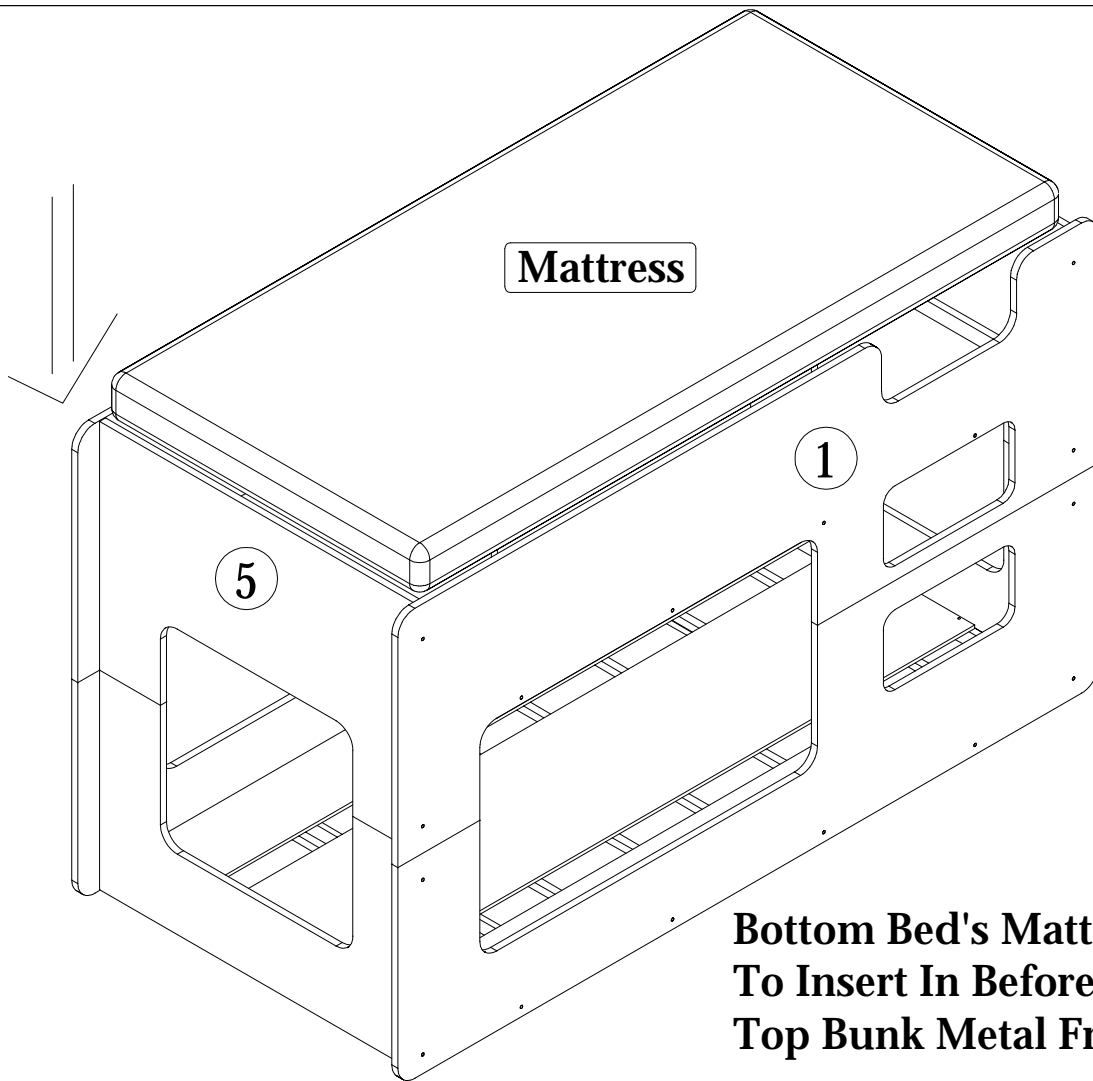
7



8

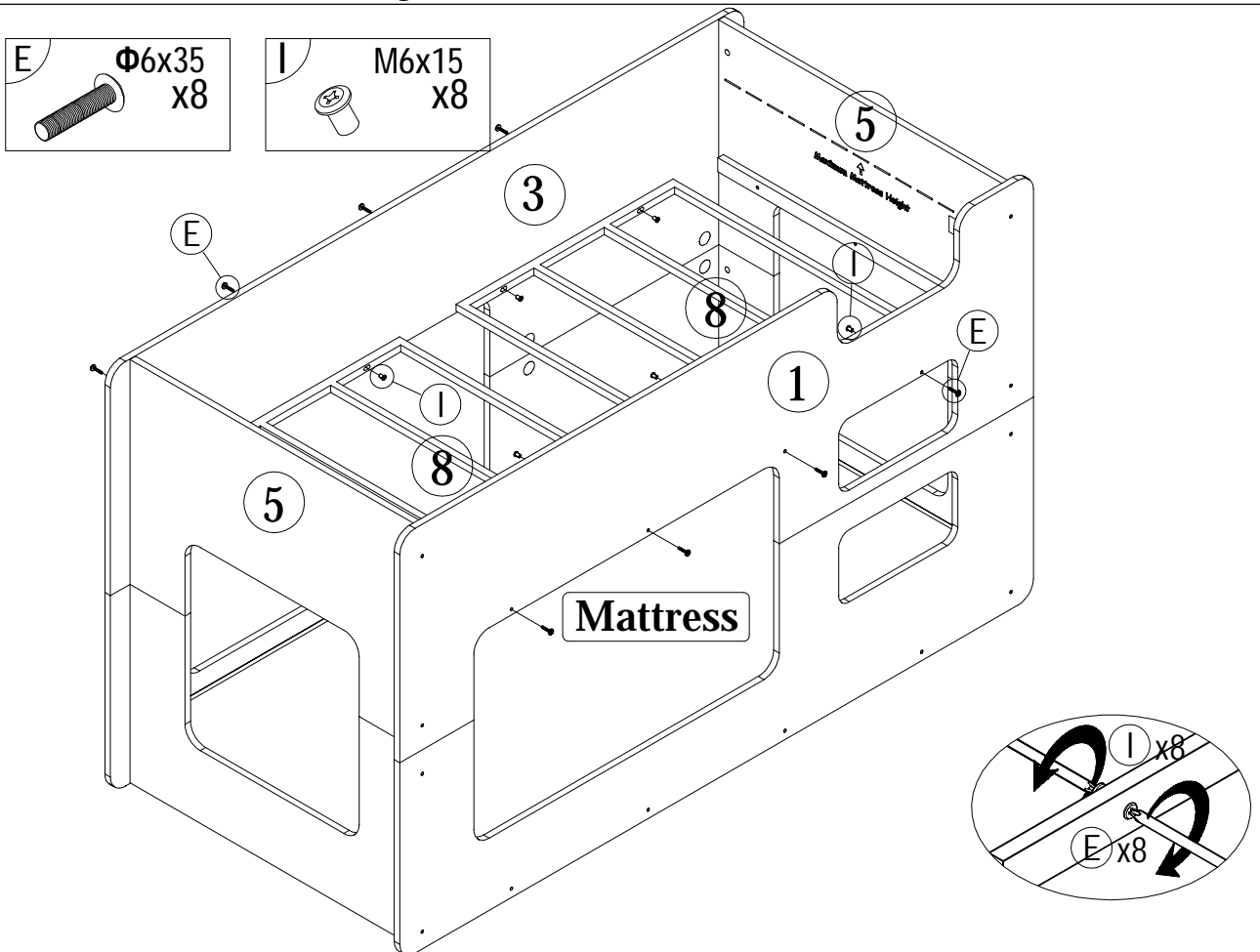


9



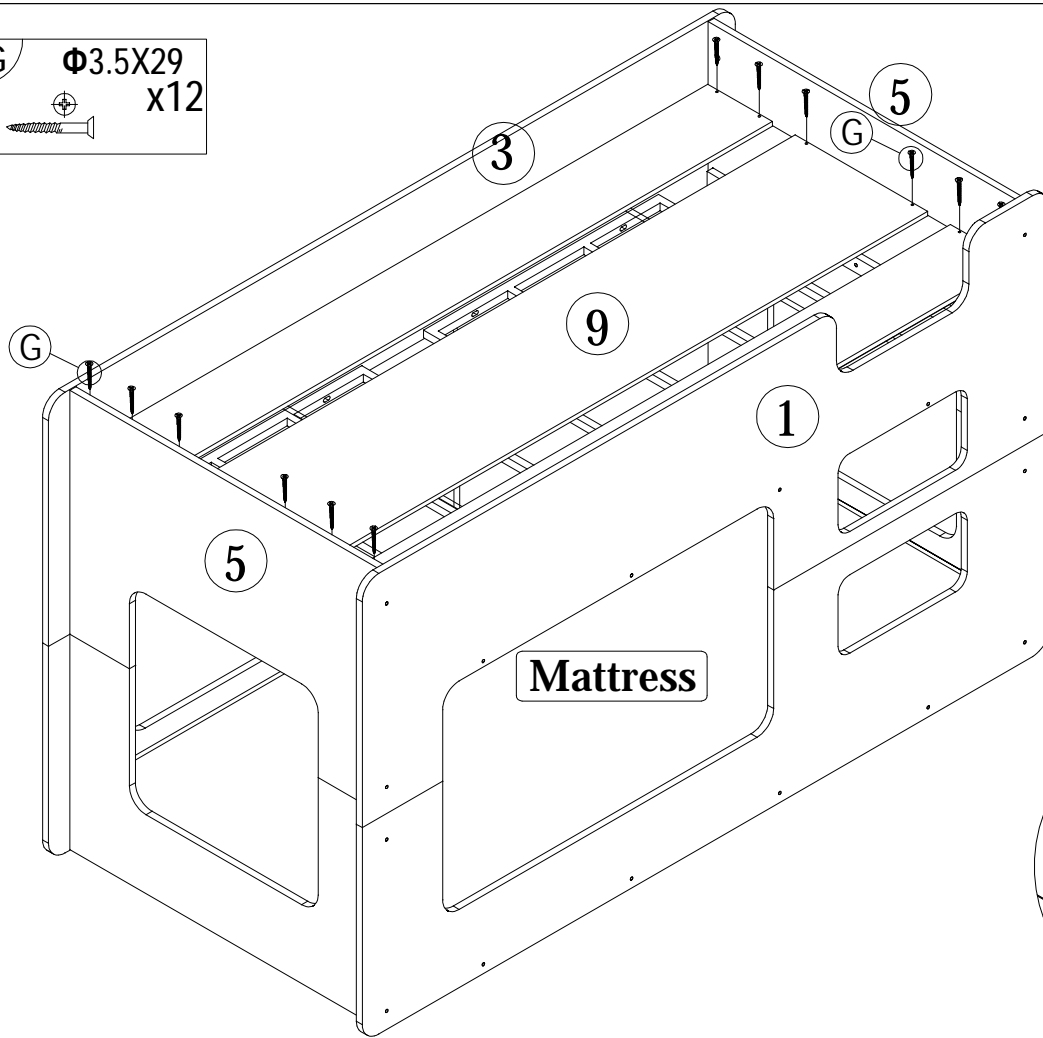
Bottom Bed's Mattress Needs To Insert In Before Installing Top Bunk Metal Frame.

10

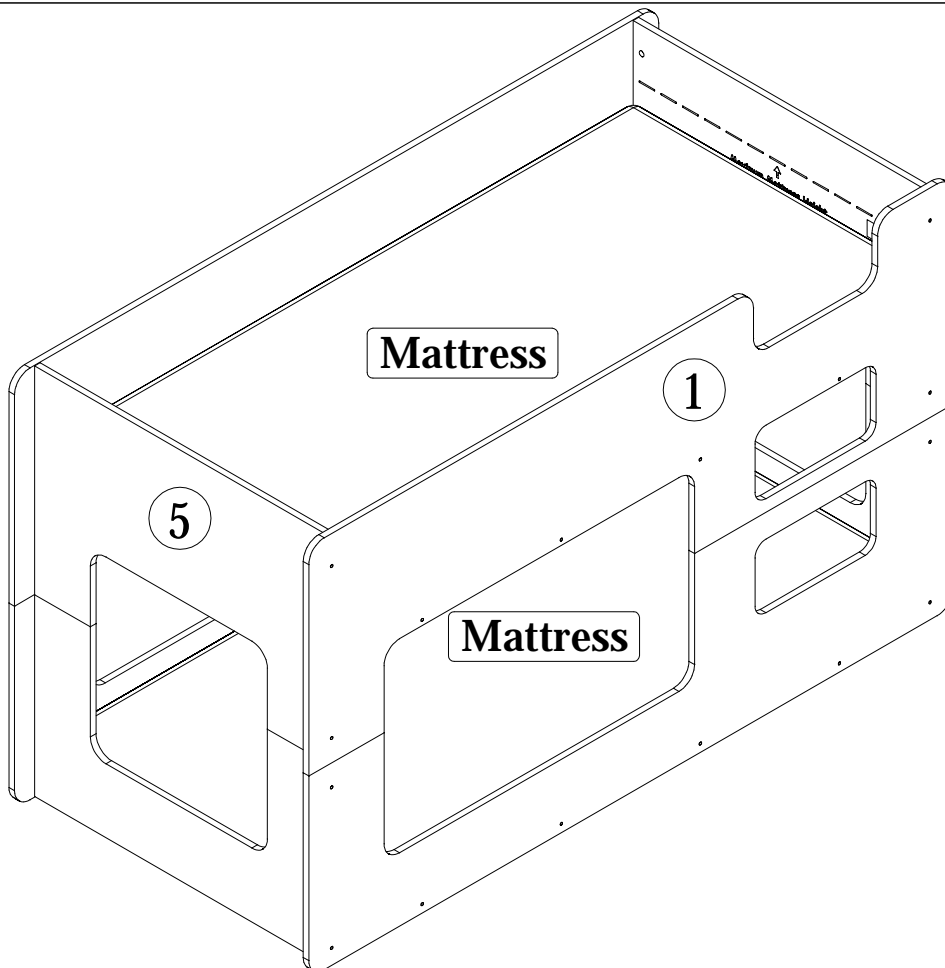


11

G $\Phi 3.5 \times 29$
x12



12



Your Solar Pod Bunk Bed Is Now Fully Assembled And Ready For Use.

General Care

Wipe clean with a slightly damp soft cloth.

Avoid the use of all household cleaners and abrasives.

When moving your furniture, carefully lift into place. Never drag or push the pieces across the floor as this will cause damage to the joints and could result in failure to the product that will invalidate the warranty.

Recommendations

Periodical re-tightening of fixings.

Warning

This unit is heavy. Please use an assistant when lifting.

Notes

We've tried to make this piece of furniture as easy to assemble as possible. In the unlikely event that you have problems putting it together or have damaged or missing pieces, please contact our customer services on 01623 727374