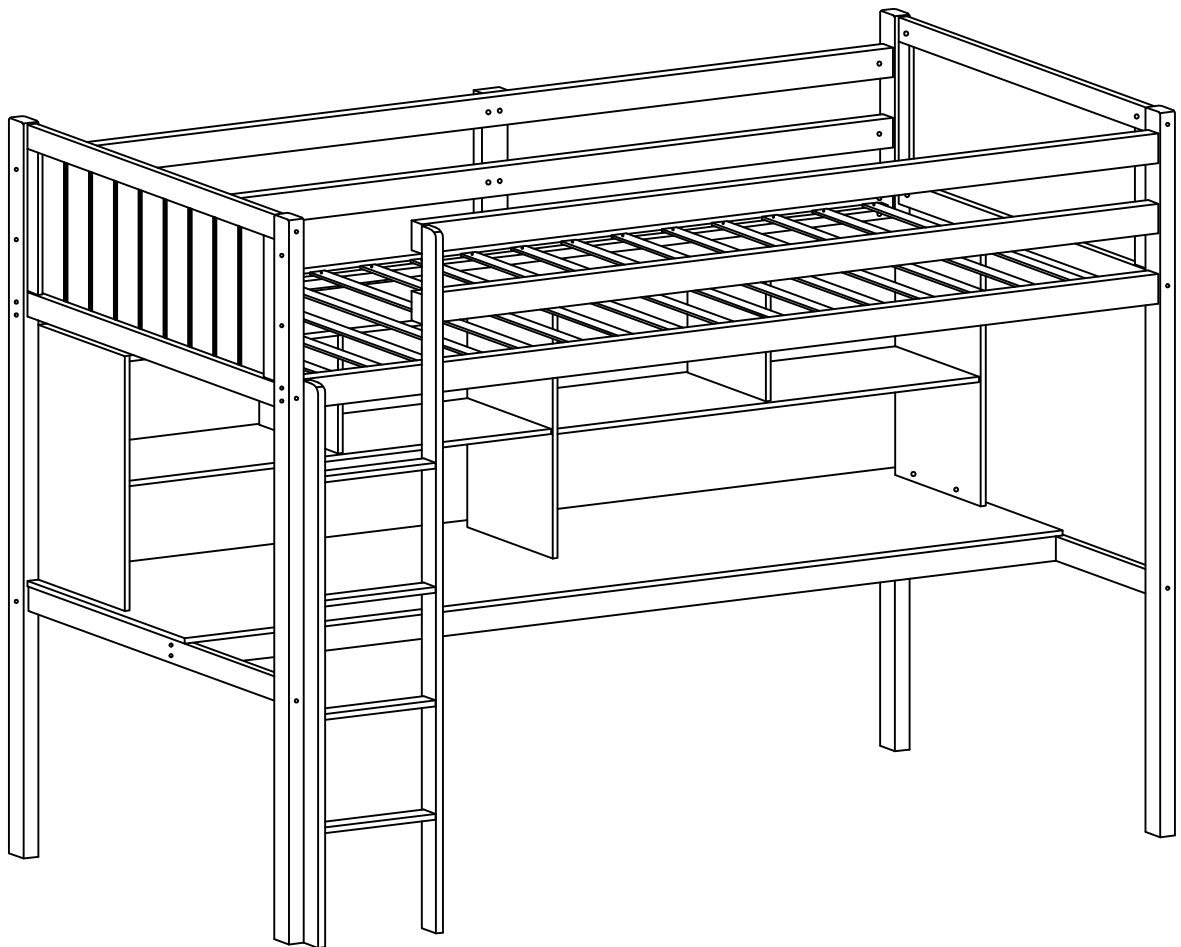
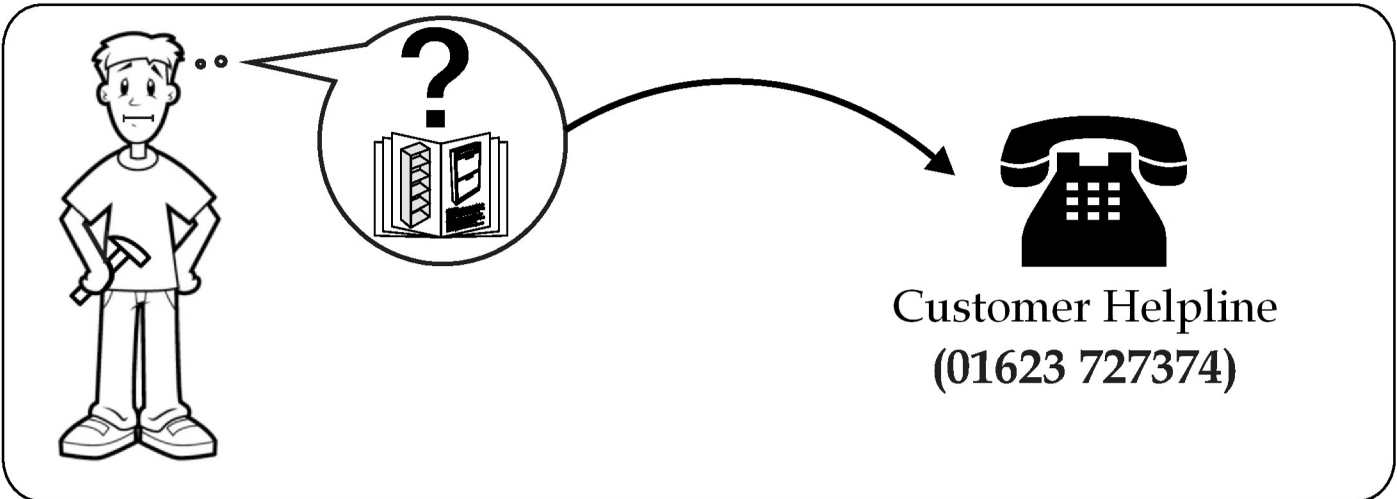
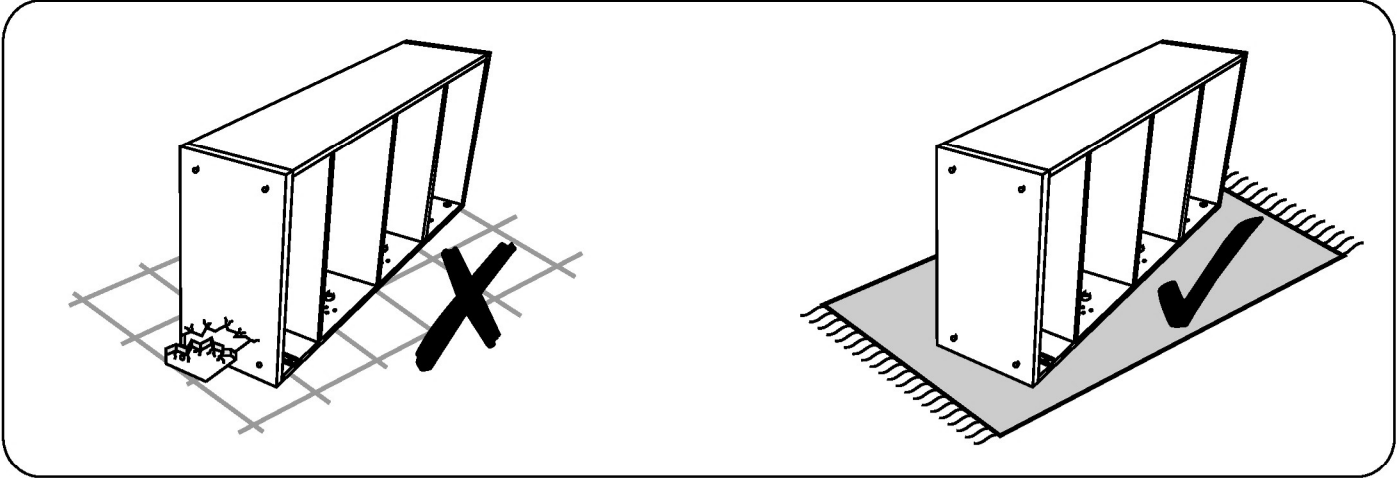
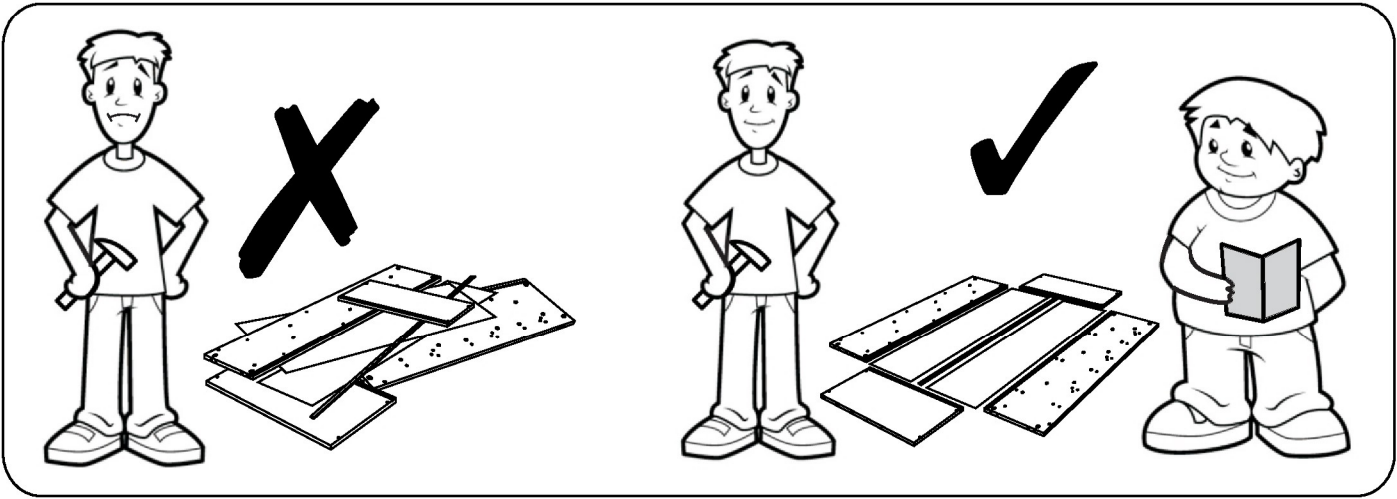
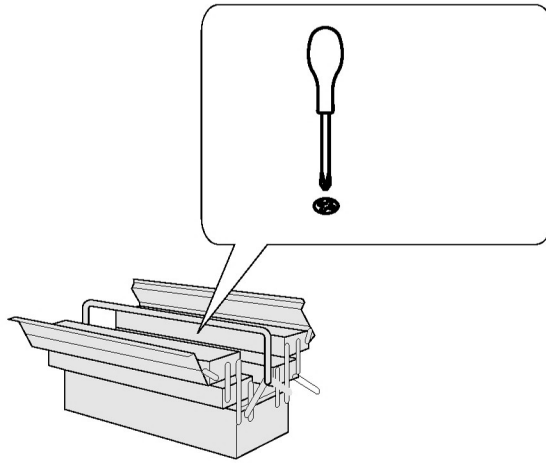
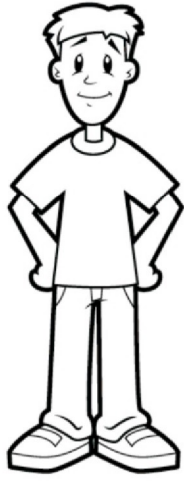


IMPORTANT - READ CAREFULLY-RETAIN  
FOR FUTURE REFERENCE

# High Sleeper Bunk Bed 90cm

## Assembly Instructions





# HARDWARE

JCBC

M6 x 90mm



A

28x

JCBC

M6 x 60mm



B

4x

JCBC

M6 x 35mm



C

12x

Barrel Nut  
M6 x 15mm



D

32x

Wood Dowel  
M10 x 40mm



E

11x

Csk  
M4 x 25mm



F

28x

M4  
Allen Key



G

1x

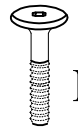
Block



H

1x

JCBB  
M8 x 35mm



I

18x

Connecting  
Bolt



J

28x

Minifix  
Housing



K

28x

Csk Screw  
M3.5 x 16mm



L

6x

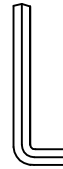
L Bracket



M

3x

M5  
Allen Key



N

1x

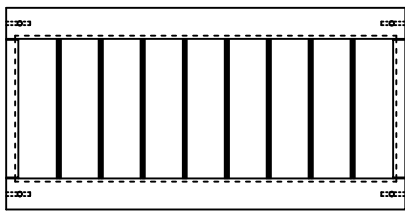
Pad



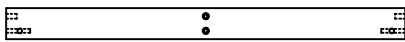
O

8x

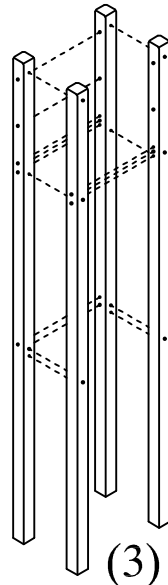
# PARTS



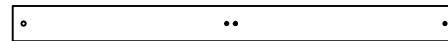
(1) 4x



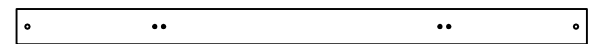
(2) 2x



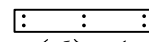
(3) 4x



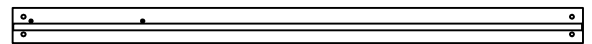
(4) 2x



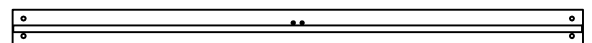
(5) 2x



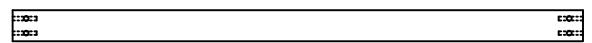
(6) 1x



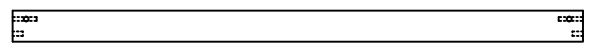
(7) 1x



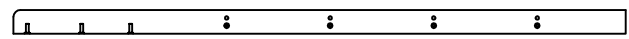
(8) 1x



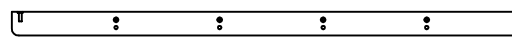
(9) 1x



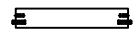
(10) 1x



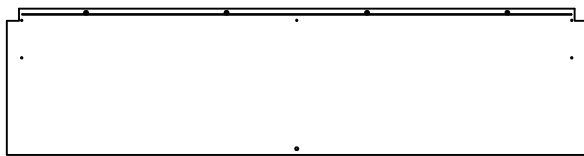
(11) 1x



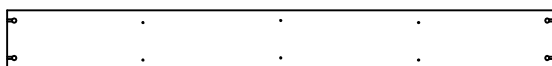
(12) 1x



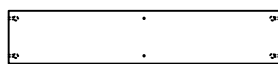
(13) 4x



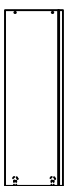
(14) 1x



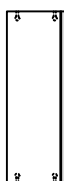
(15) 1x



(18) 2x



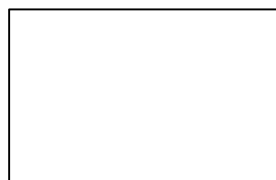
(16) 2x



(17) 1x



(19) 2x



(20) 2x



(21) 12x



(22) 4x

# Safety Advice

Please take the time to carefully read through the whole of these instructions before you commence.

Keep these instructions for future reference.

Unpack, inspect and check off all of the contents.

Please dispose of all packaging safely.

Small component parts could choke a child if swallowed.

We strongly recommend that you keep children well away from the work area.

It would be sensible to lay a sheet or blanket on the floor where you intend to work to avoid scratching this product and to protect your floor.

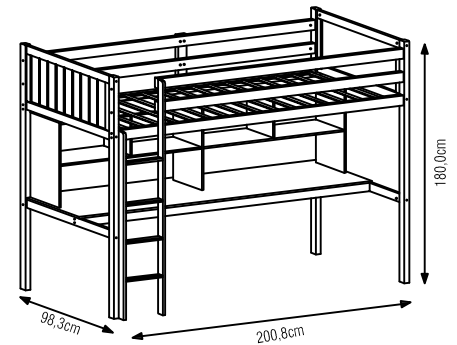
This product is heavy. Take extreme care when lifting to avoid personal injury or damage to the product.

Assemble the product as close to its intended final position in the room as possible.

Please check the contents of boxes before attempting to assemble this product. A full checklist of parts and fittings is given in page 3 of this instruction leaflet.

This bunk bed is not designed to be split for use as 2 beds.

**HANDY HINT :** If you keep the hardware in a bowl during assembly you will be less likely to lose them.



# Important Information

**WARNING:** High beds and the upper bed of bunks beds are not suitable for children under six years due to the risk of injury from falls

**WARNING:** Bunk beds and high beds can present a serious risk of injury from strangulation if not used correctly.

Never attach or hang items to any part of the bed that are not designed to be used with the bed, for example, but not limited to, ropes, strings, cords, hooks, belts and bags.

**WARNING:** Children can become trapped between the bed and the wall, a roof pitch, the ceiling, adjoining pieces of furniture (e.g. cupboards) and the like. To avoid risk of serious injury, the distance between the top safety barrier and the adjoining structure shall not exceed 75mm or shall be more than 230mm.

**WARNING:** Do not use the bunk bed/high bed if any structural part is broken or missing and always follow the manufacturer's instructions.

The largest size of mattress recommended for safe use is 190cm x 90cm with maximum thickness of 18cm (7 inch).

Frequent ventilation of the room is necessary to ensure that humidity is kept low and to prevent mould forming in and around the bed.

This bunk complies with BS EN 747-1:2012+A1:2015

These labels are not to be removed.



+

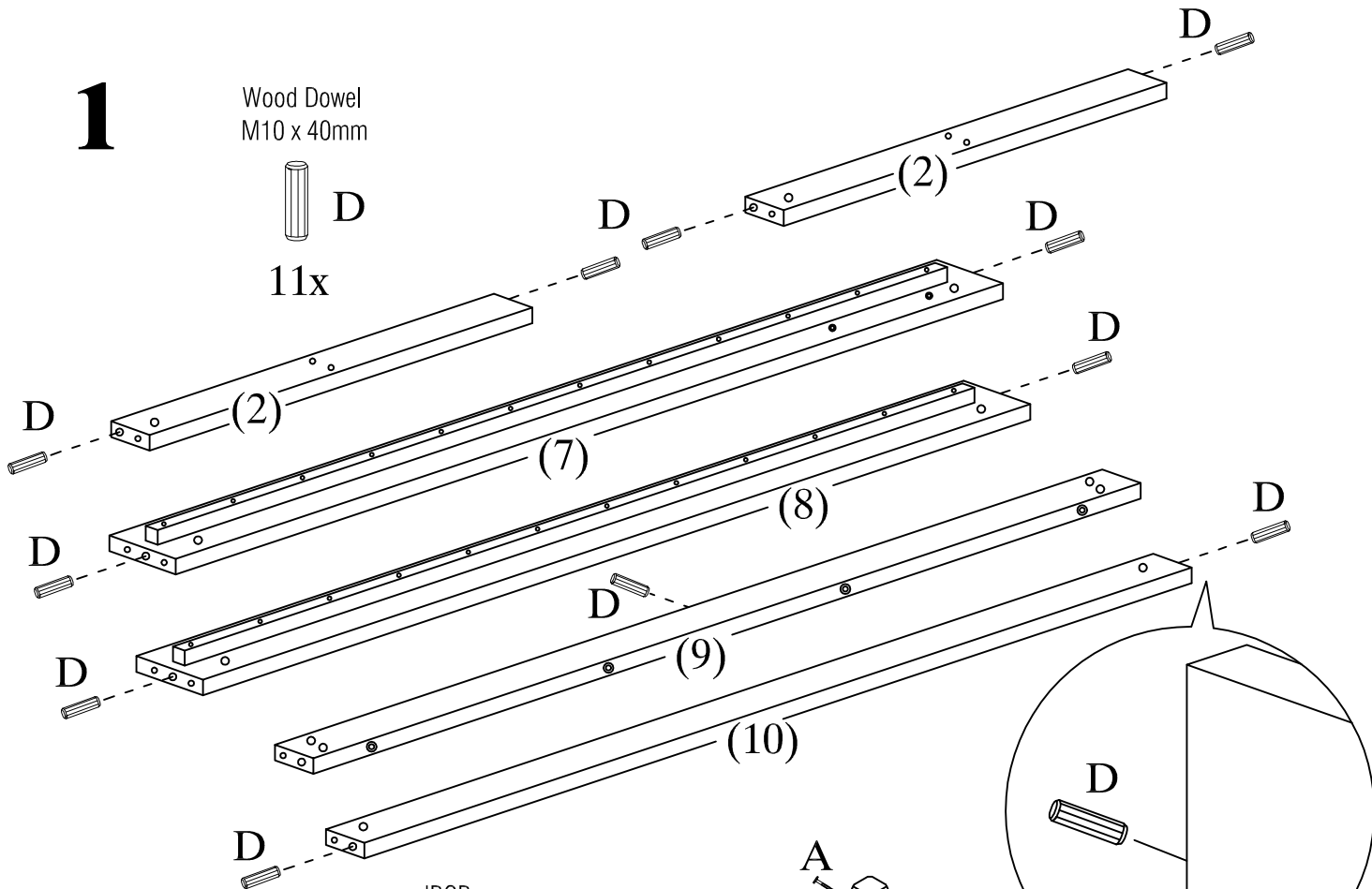


# 1

Wood Dowel  
M10 x 40mm



11x



# 2

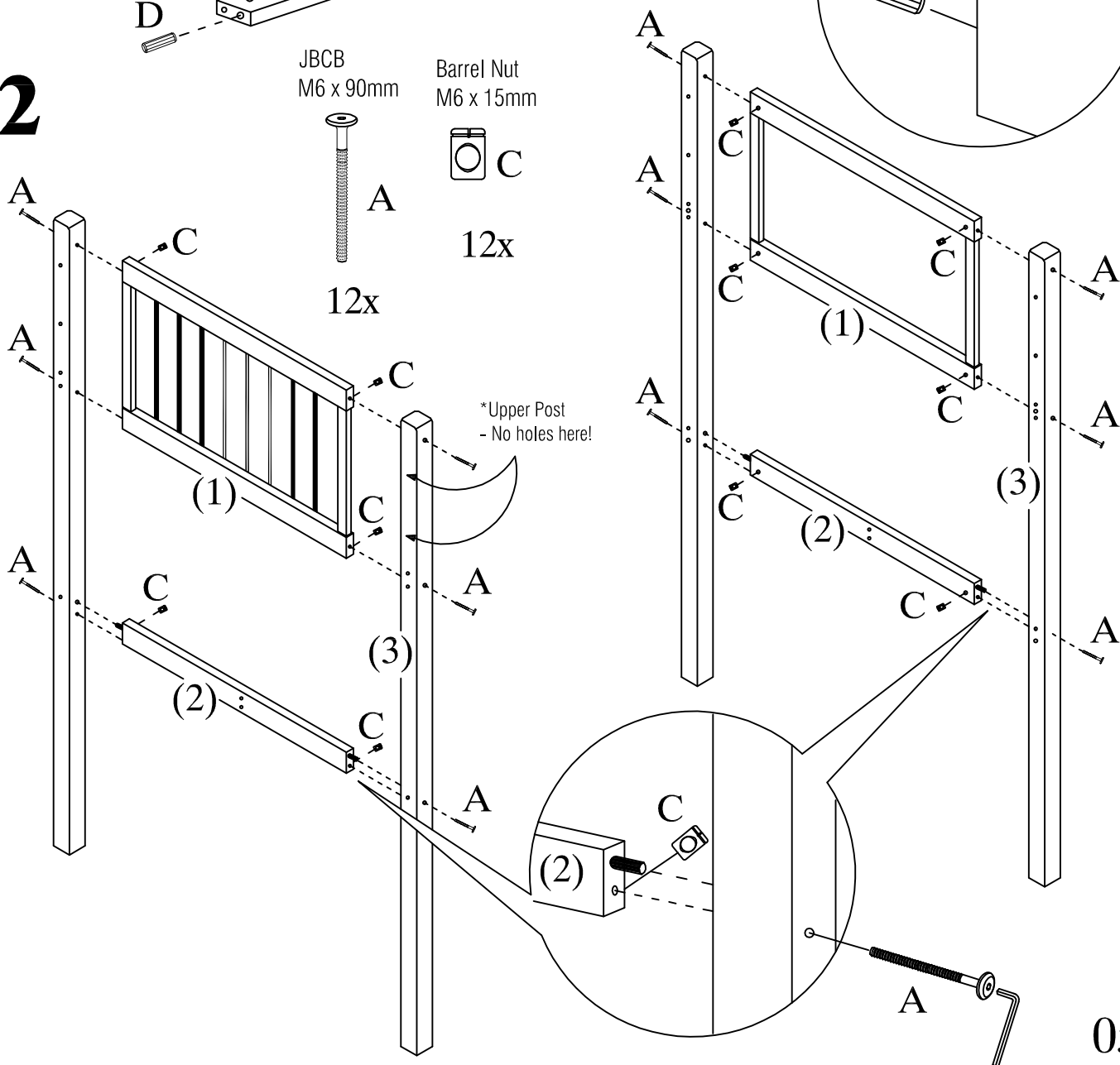
JBCB  
M6 x 90mm

Barrel Nut  
M6 x 15mm



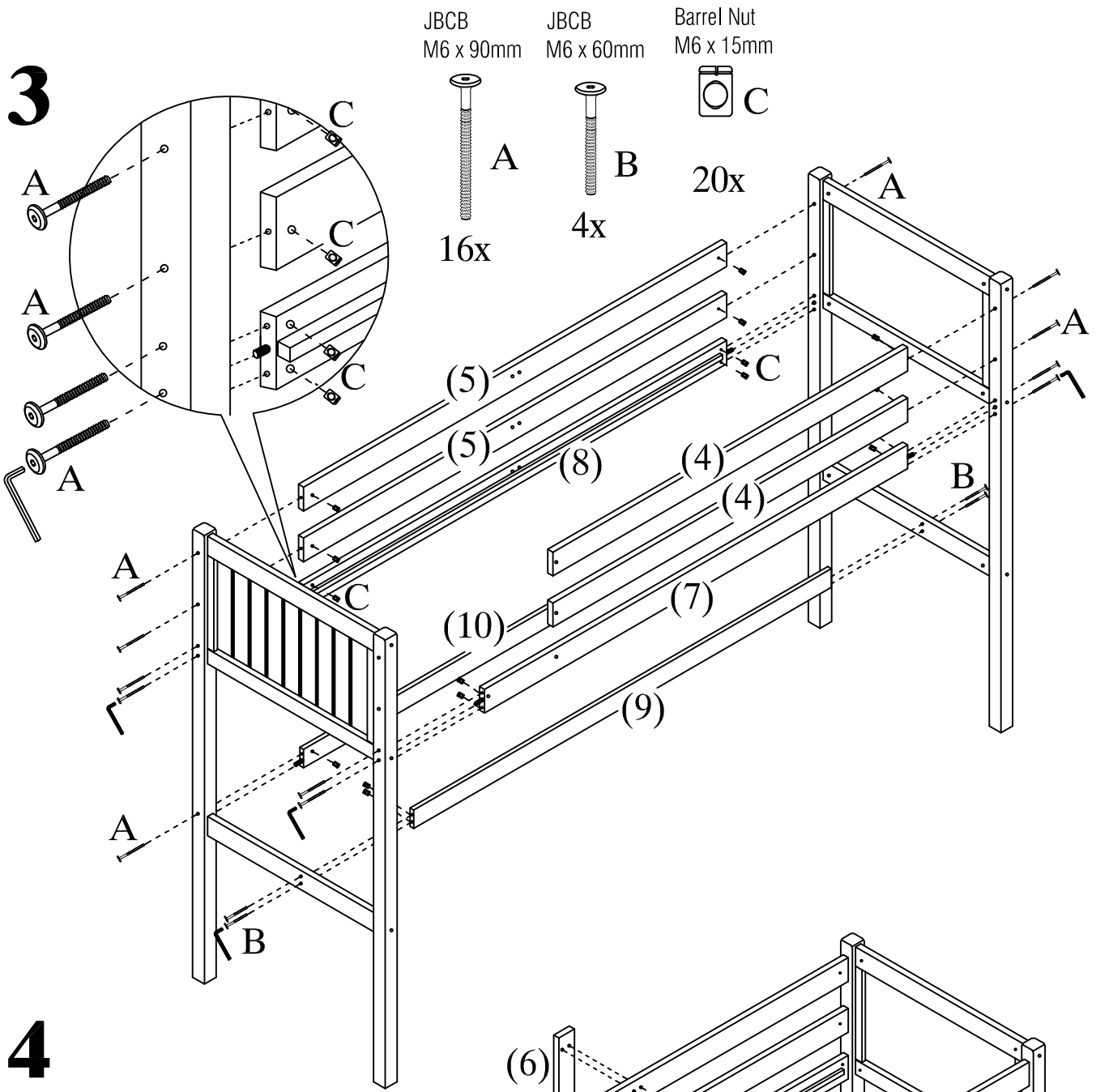
12x

12x



\*Upper Post  
- No holes here!

# 3

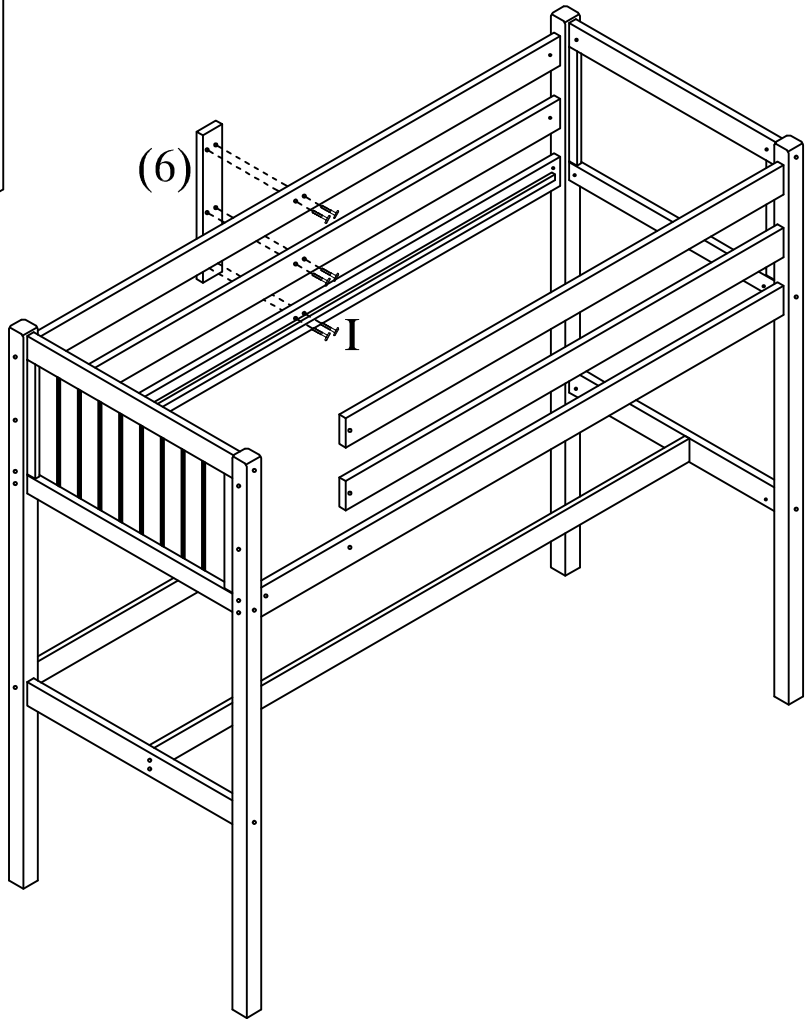


# 4

JCBB  
M8 x 35mm

I

6x

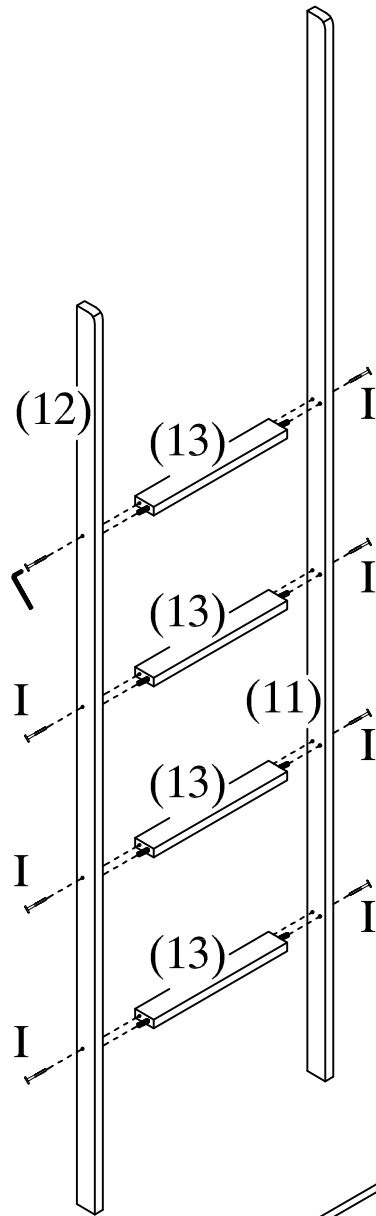


# 5

JCBC  
M8 x 35mm



8x

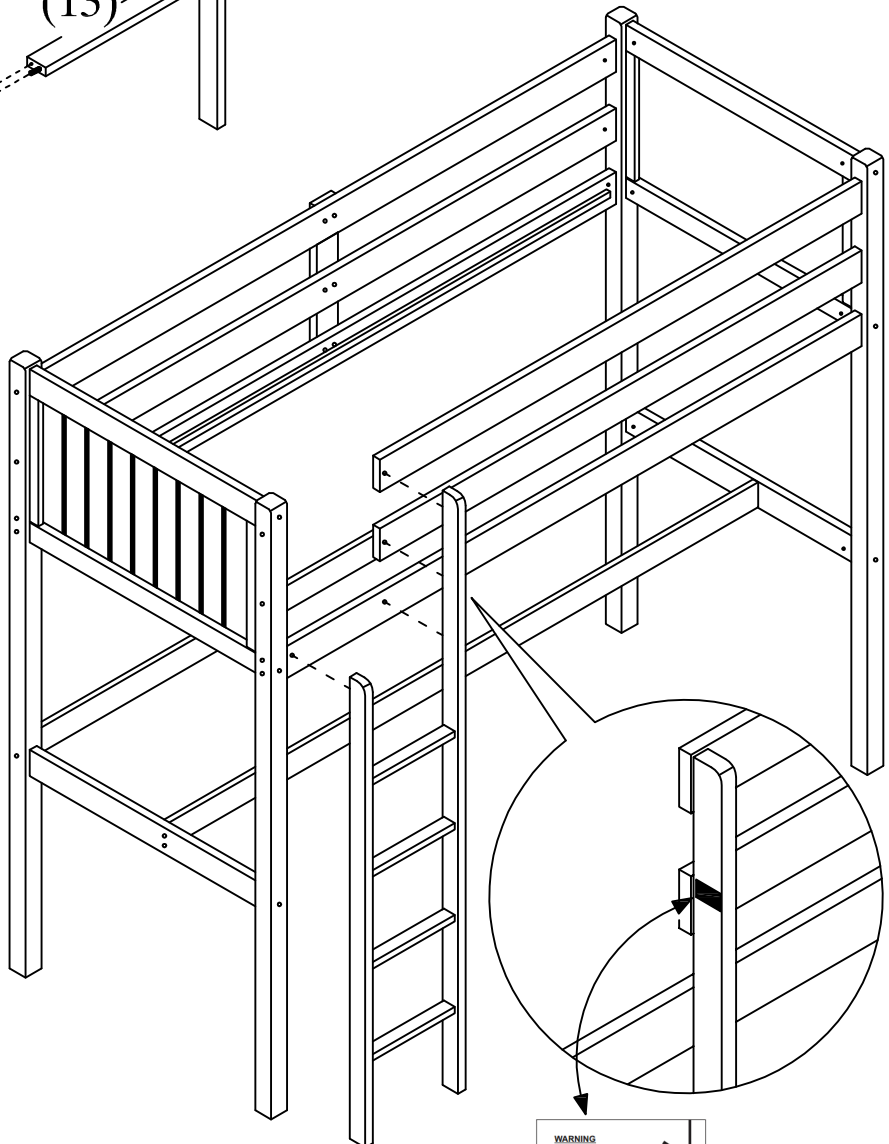


# 6

JCBB  
M8 x 35mm



4x



WARNING  
THE MATTRESS  
SURFACE MUST NOT  
BE ABOVE THIS LINE →

These labels are not to be removed.

# 7

Csk Screw  
M3.5 x 16mm



L

6x

L Bracket



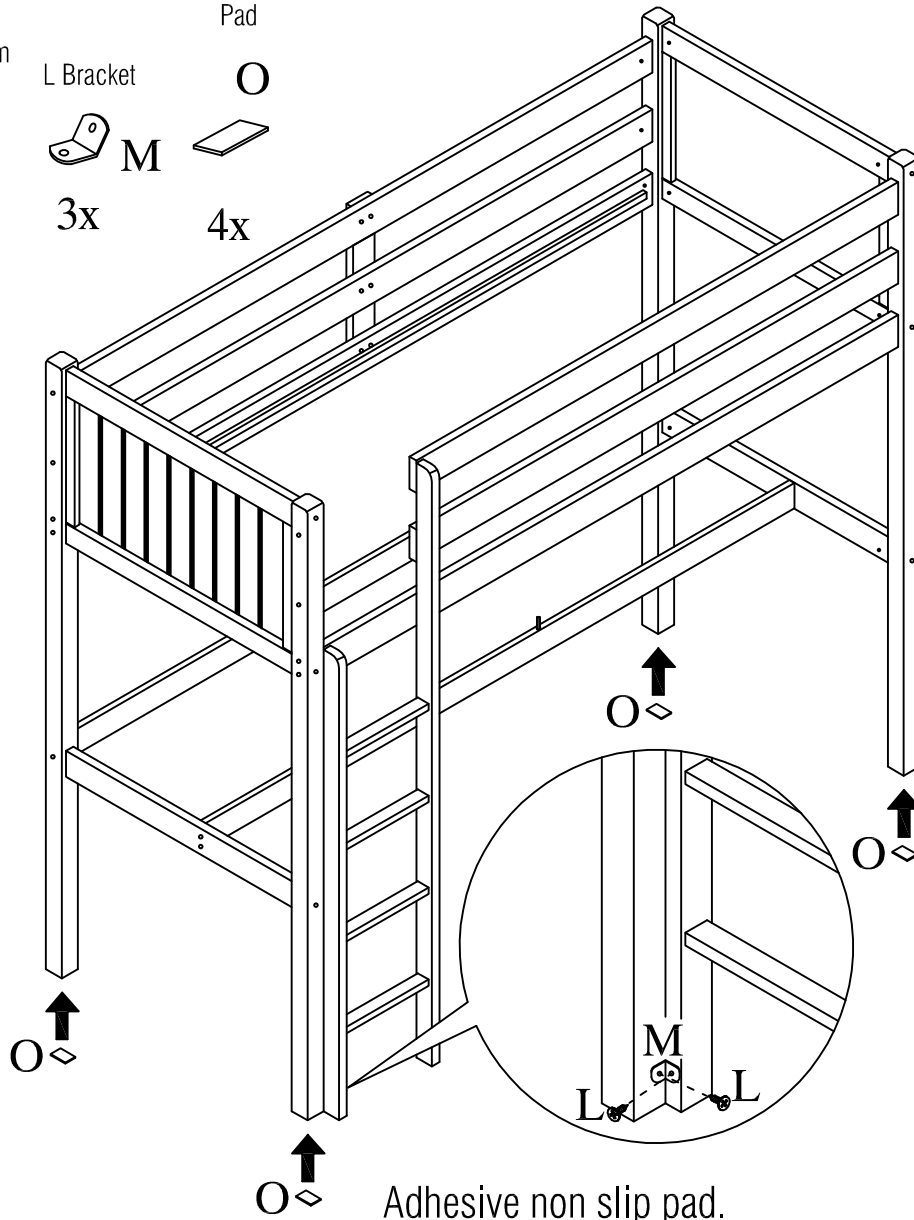
M

3x

Pad



4x



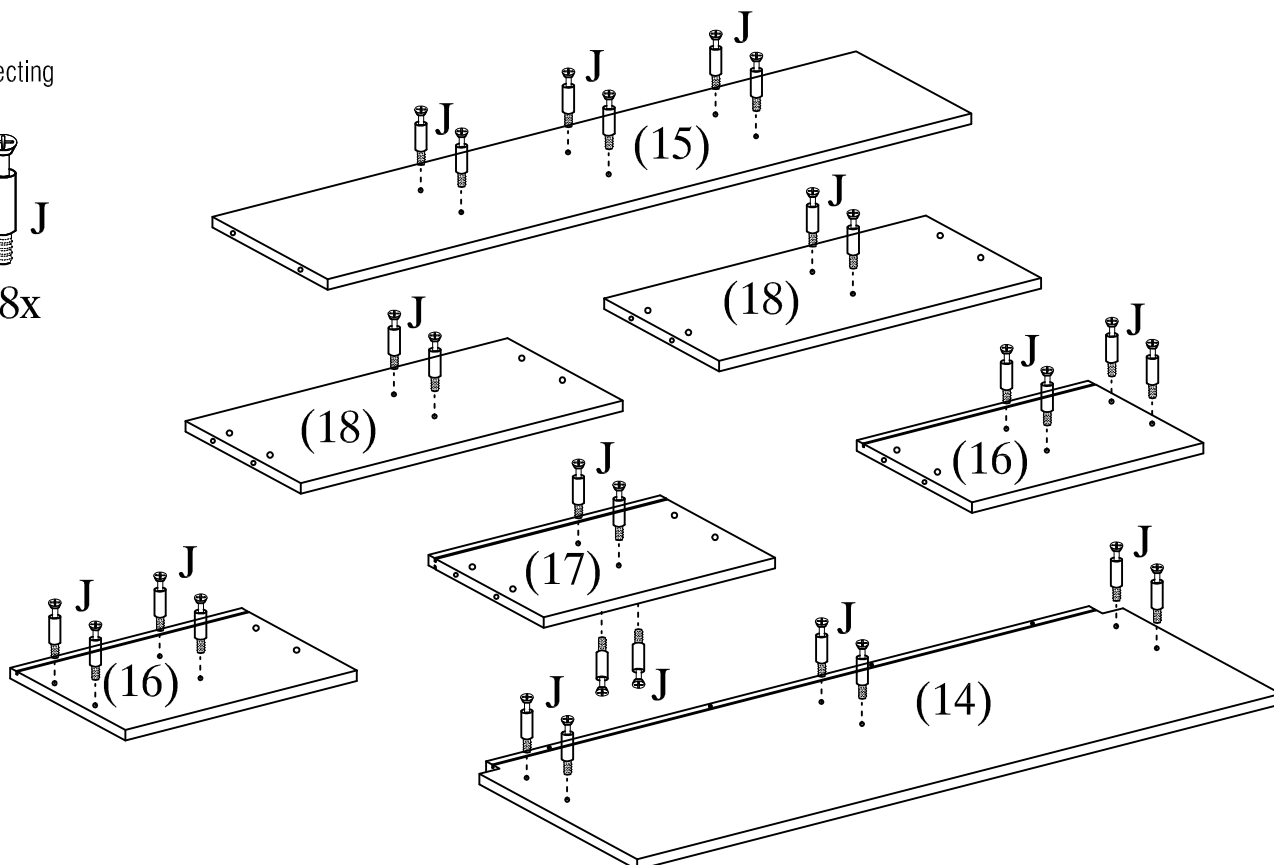
# 8

Adhesive non slip pad.

Connecting Bolt



28x



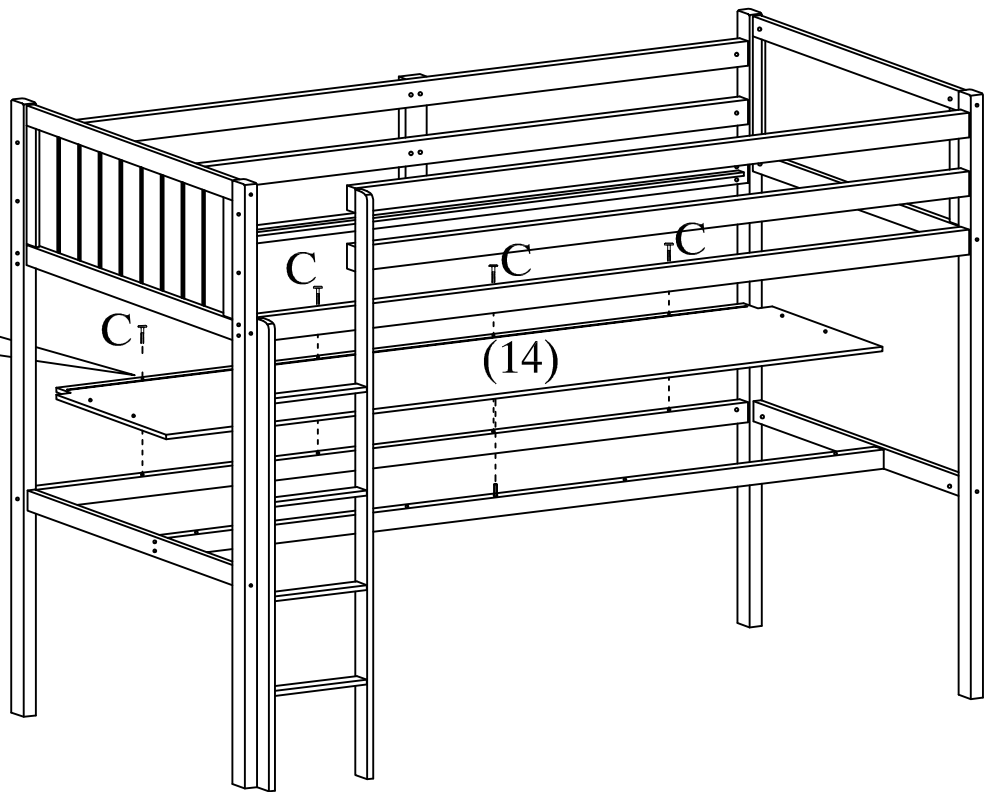
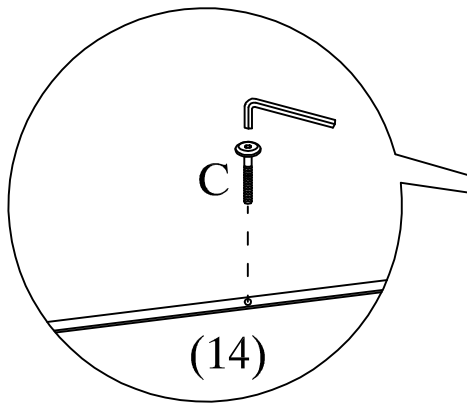


# 9

JCBC  
M6 x 35mm



4x

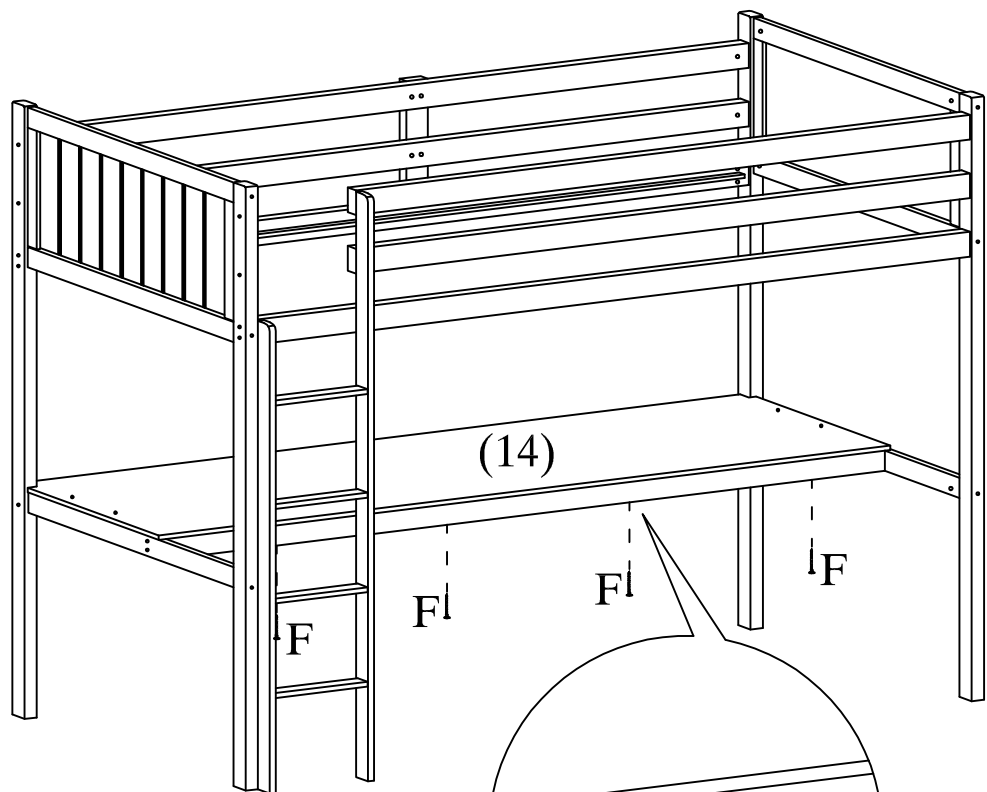


# 10

Csk  
M4 x 25mm



4x

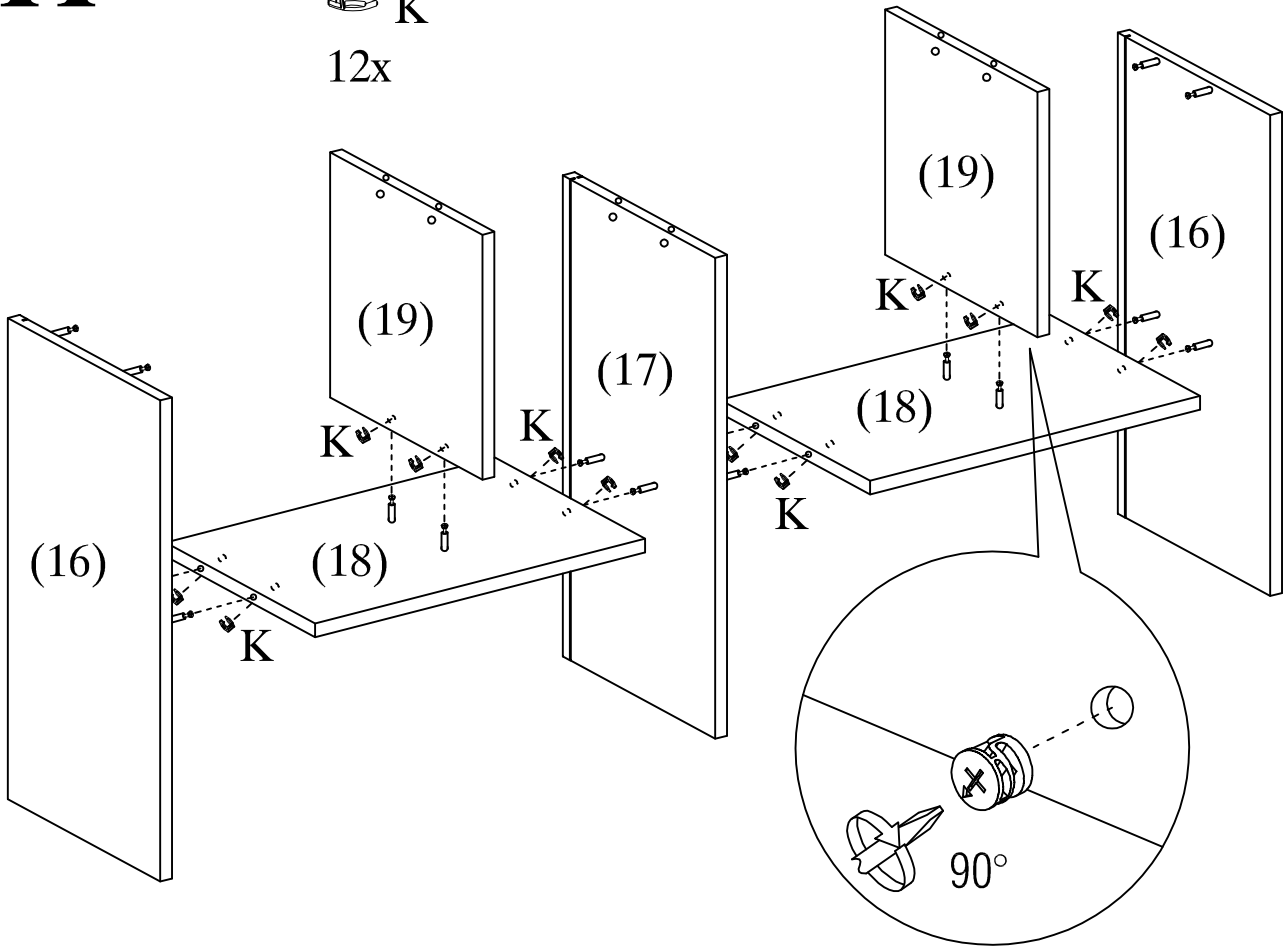


# 11

Minifix  
Housing



12x

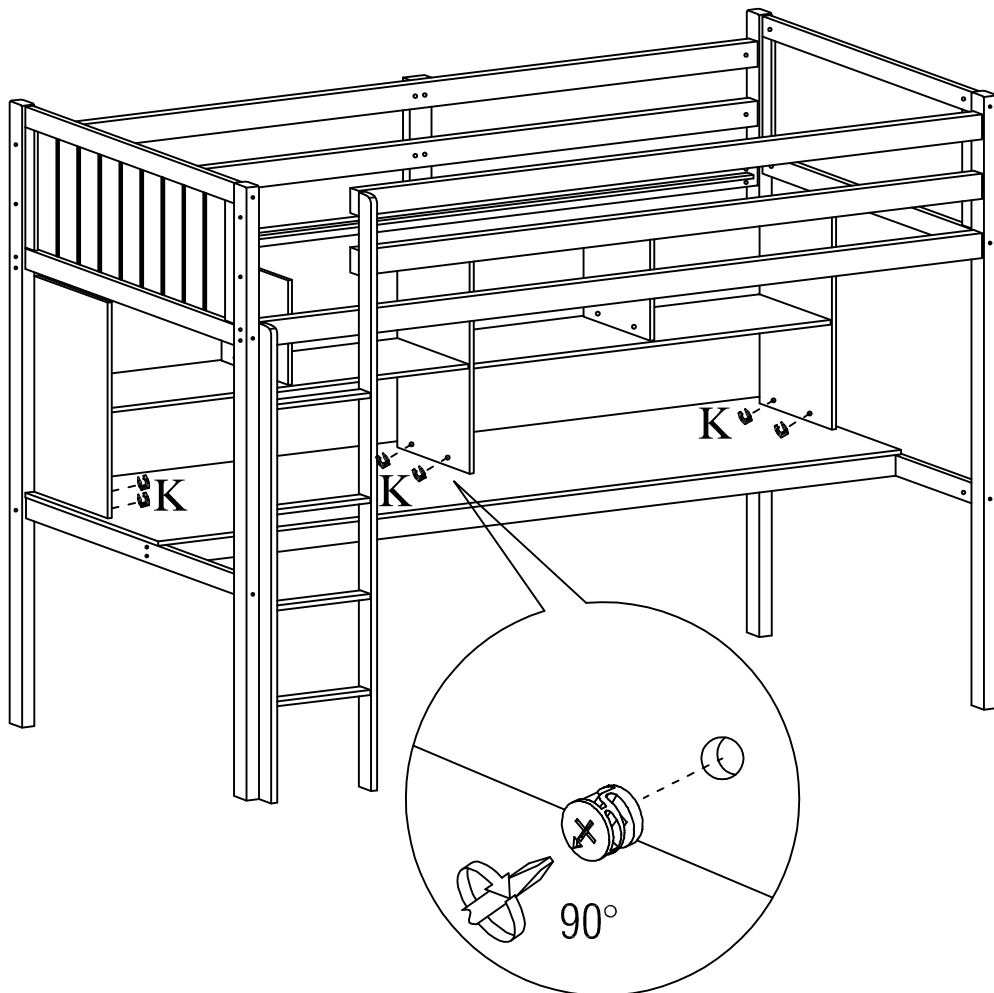


# 12

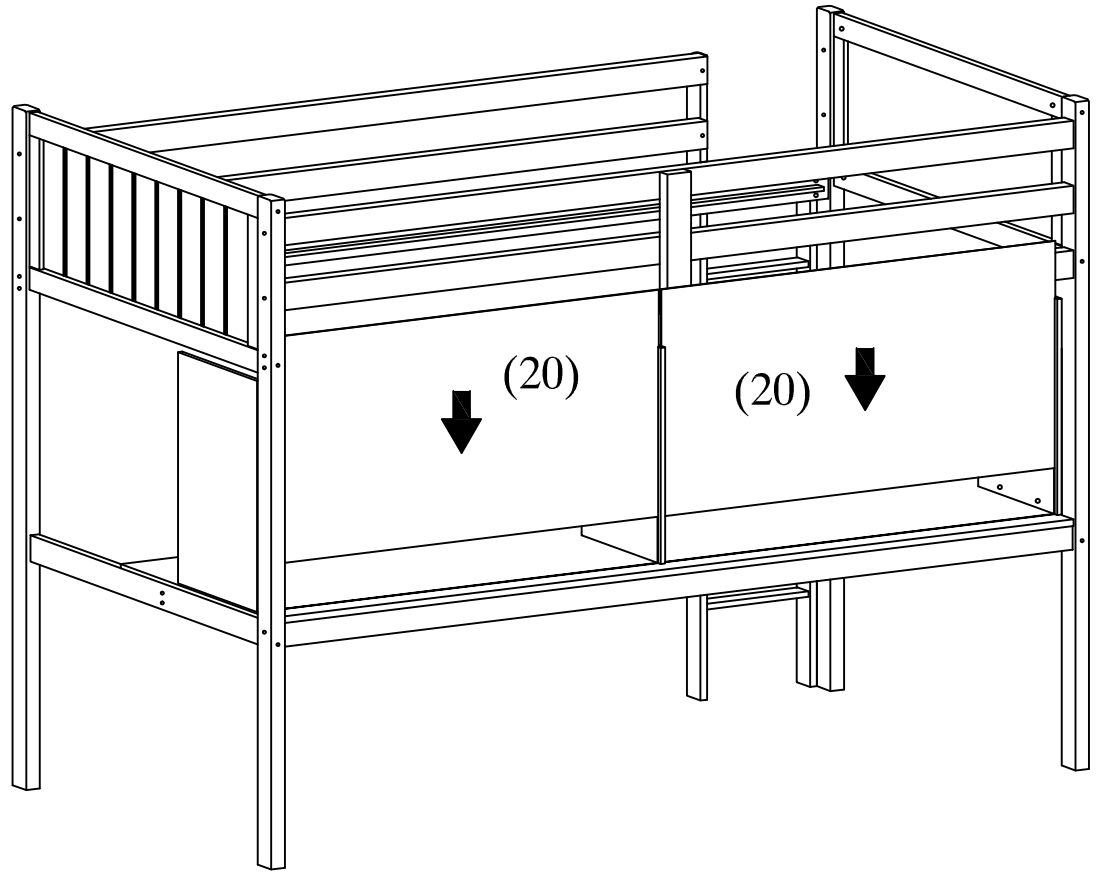
Minifix  
Housing



6x



# 13

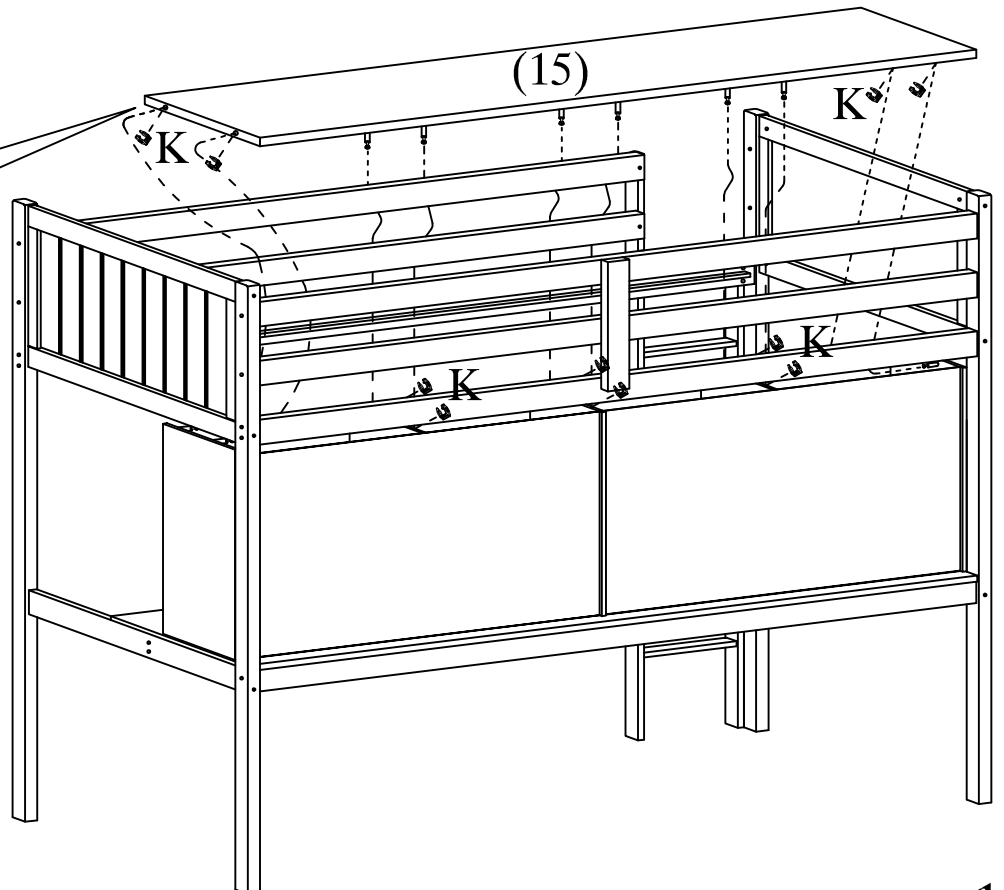
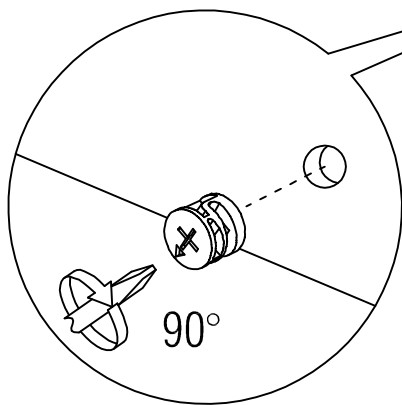


# 14

Minifix  
Housing



10x

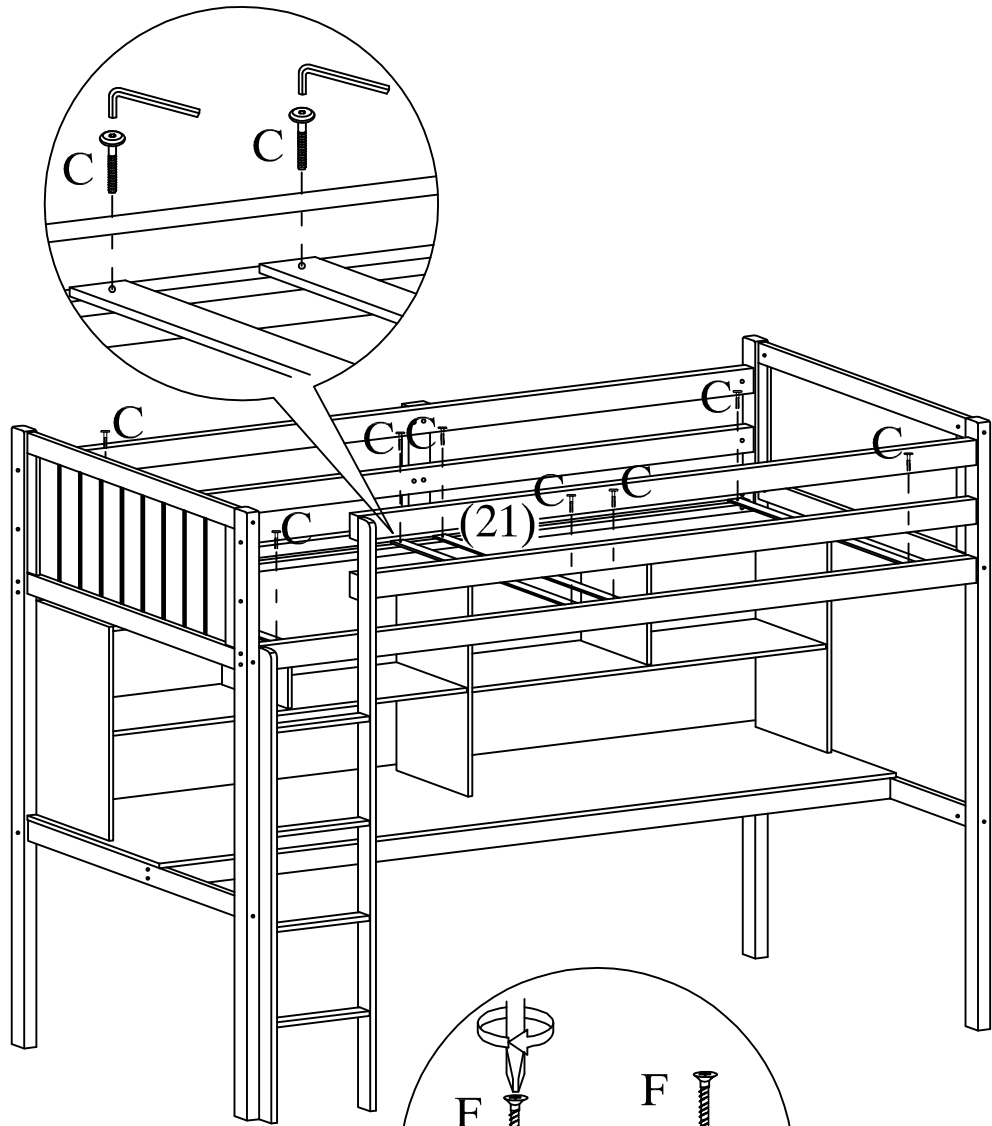


# 15

JCBC  
M6 x 35mm

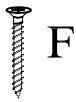


8x



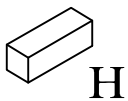
# 16

Csk  
M4 x 25mm

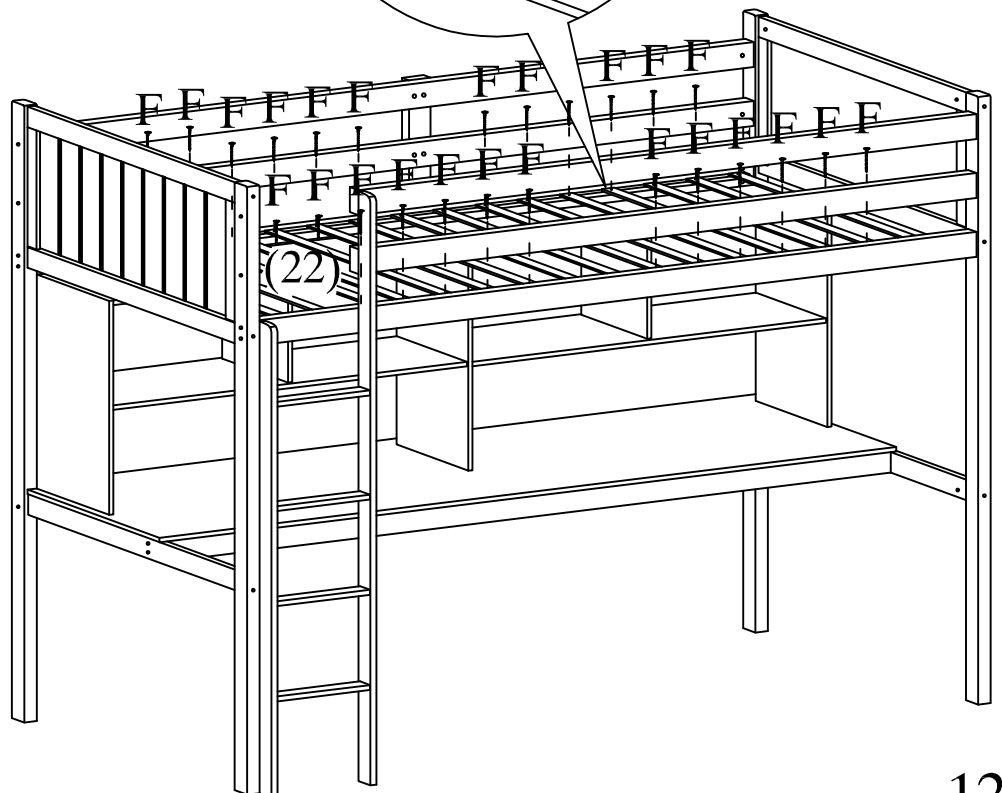
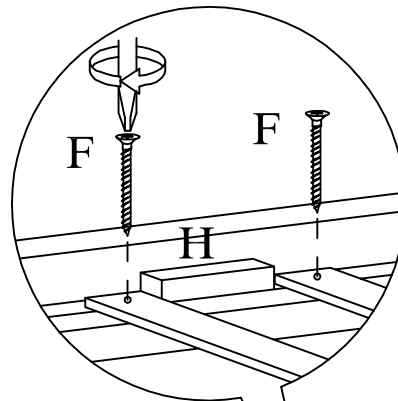


24x

Block



1x



Do Not Use Power Tools

## General Care

Wipe clean with a slightly damp soft cloth.

Avoid the use of all household cleaners and abrasives.

When moving your furniture, carefully lift into place.

Never drag or push the pieces across the floor as this will cause damage to the joints and could result in failure to the product that will invalidate the warranty.

## Recommendations

We strongly recommend regular checks on all assembly fastenings to ensure they are properly tightened.

## Warning

This unit is heavy. Please use an assistant when lifting.

## Notes

We've tried to make this piece of furniture as easy to assemble as possible.

In the unlikely event that you have problems putting it together or have damaged or missing pieces, please contact our customer services on 01623 727374