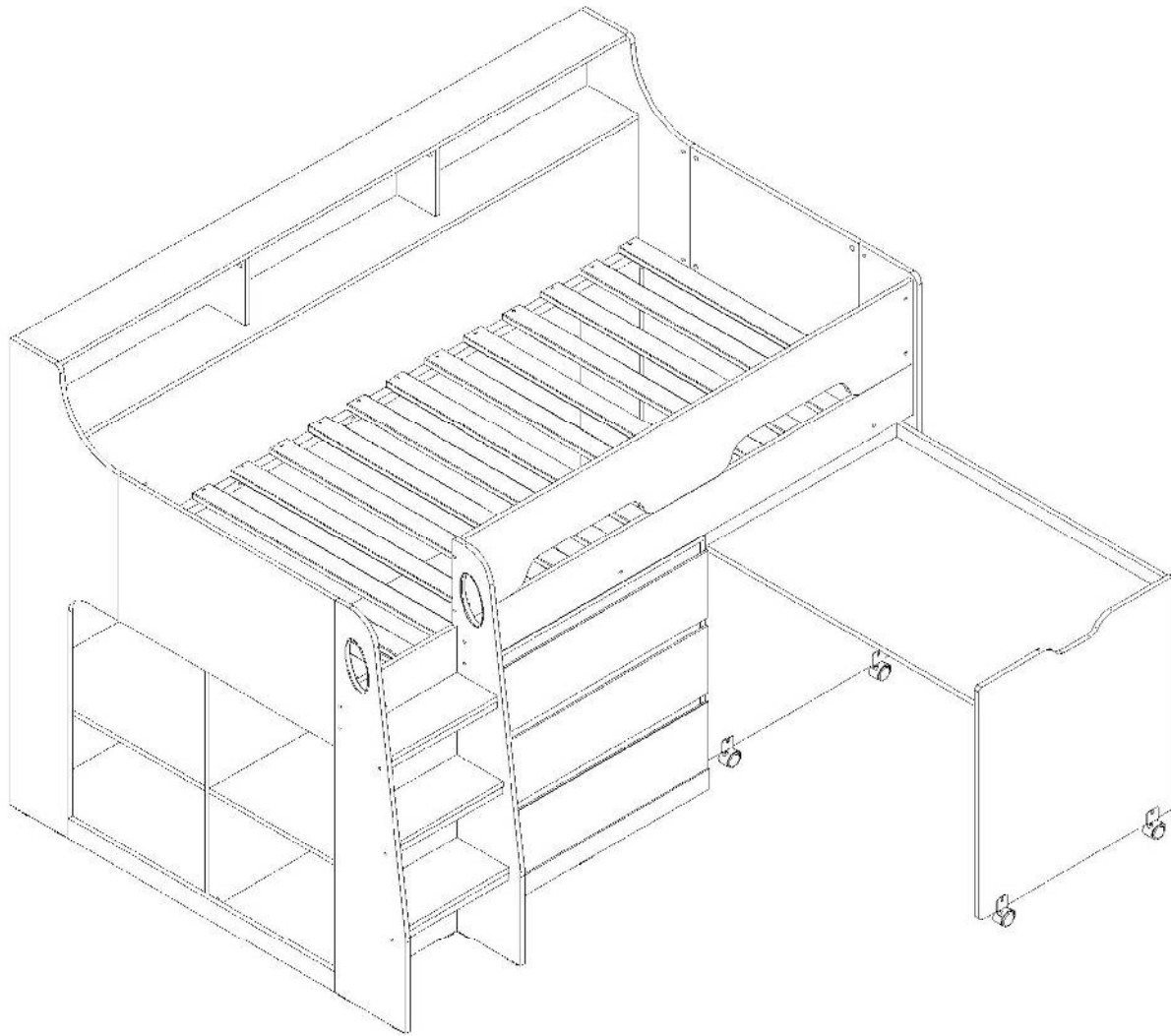
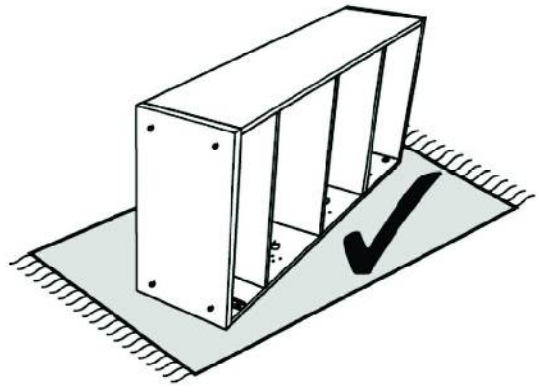
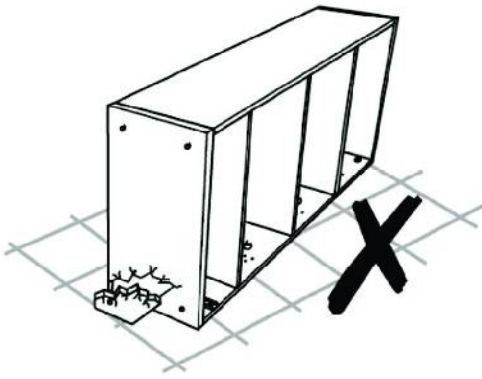
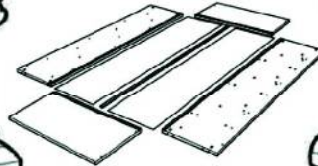
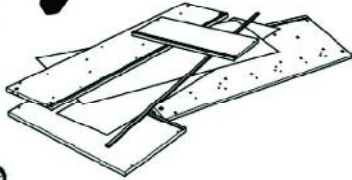
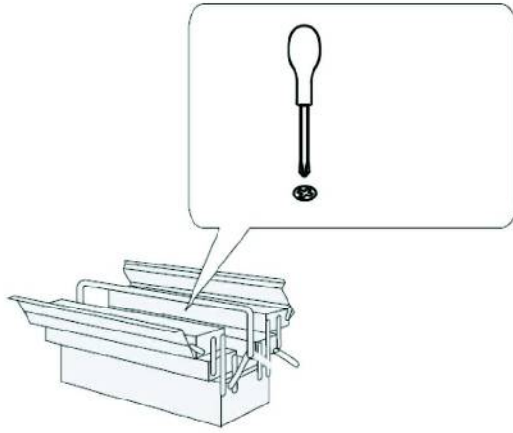


**IMPORTANT - READ CAREFULLY - RETAIN
FOR FUTURE REFERENCE**

Jupiter Midsleeper

Assembly Instructions

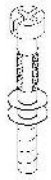




Customer Service
(01623 727374)

HARDWARE

(A)



Cam Stud
79PCS

(B)



Cam
91PCS

(C)



M8 x 25mm
118PCS

(D)



M6 x 45mm
9PCS

(E)



M4 x 45mm
8PCS

(F)



M4 x 38mm
12PCS

(G)



M4 x 22mm
16PCS

(H)



M3.5 x 16mm
46PCS

(N)



M6 x 25mm
4PCS

(P)



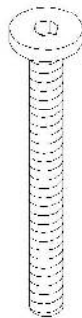
M6 Cap Nut
4PCS

(Q)



M6 Round Nut
4PCS

(R)



M6 x 50mm
10PCS

(S)



M6 x 35mm
16PCS

(T)



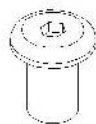
M6 x 30mm
30PCS

(U)



M6 x 12mm
4PCS

(V)



M6
6PCS

(Z1)



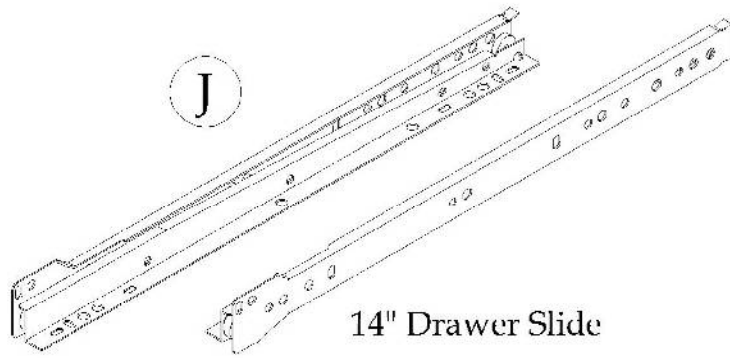
M6 x 13mm
18PCS

(Z2)

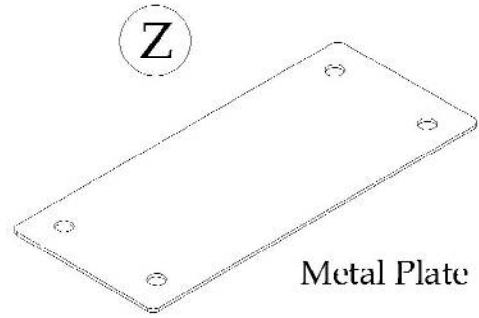


Contractfix Dowel
12PCS

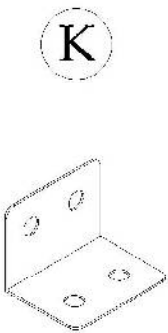
HARDWARE



14" Drawer Slide
3 SET



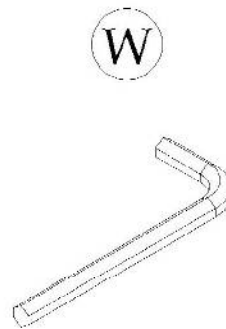
Metal Plate
1PCS



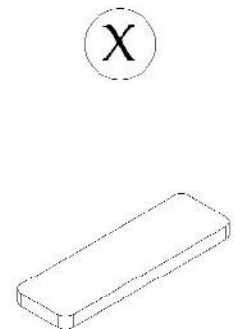
L Braket
4PCS



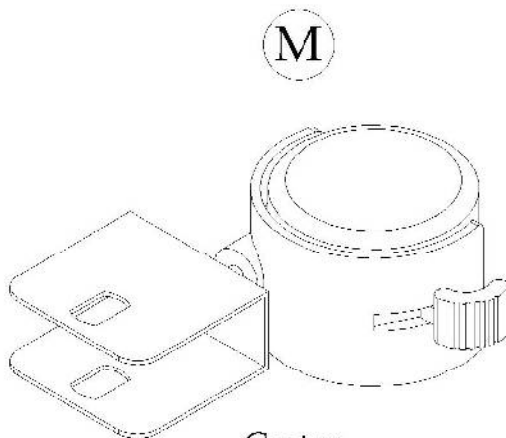
PVC Back Support
16PCS



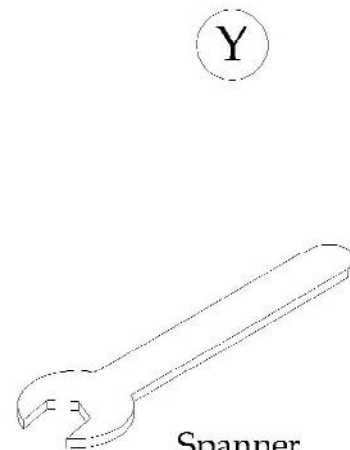
M4
2PCS



Felt Pads
23PCS

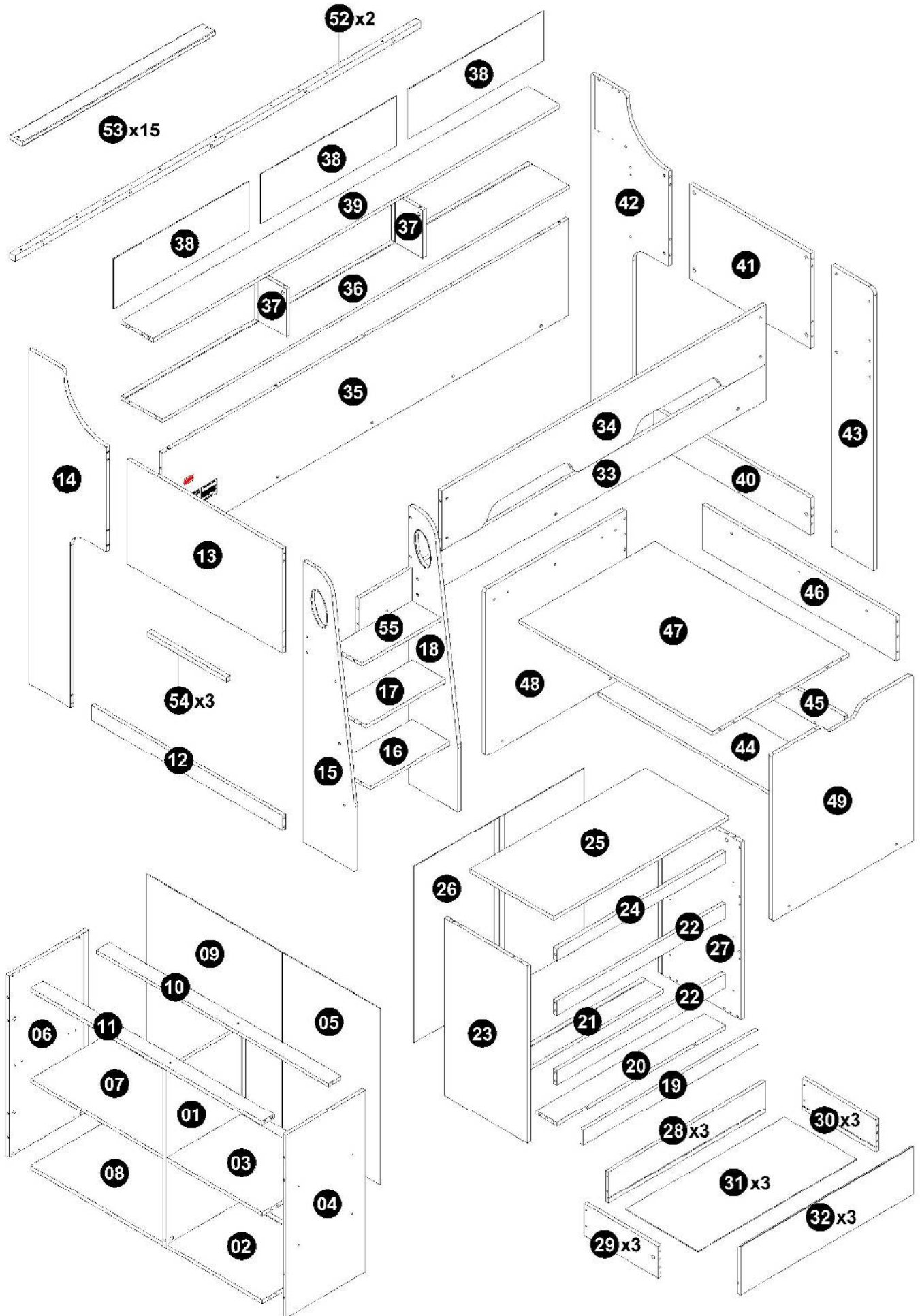


Castor
4PCS



Spanner
1PCS

PARTS



IMPORTANT INFORMATION

WARNING - High Beds and the upper bed of bunk beds are not suitable for children under six years due to the risk of injury from falls.

WARNING - Bunk beds and high beds can present a serious risk of injury from strangulation if not used correctly. Never attach or hang items to any part of the bunk bed that are not designed to be used with the bed, for example, but not limited to ropes, st rings, cords, hooks, belts and bags.

WARNING - Children can become trapped between the bed and the wall, a roof pitch, the ceiling, adjoining pieces of furniture (e.g.cupboards) and the like. To avoid risk of serious injury the distance between the top safety barrier and the adjoining structure shall not exceed 75mm or shall be more than 230mm.

WARNING - Do not use the bunk bed / high bed if any structural part is broken or missing. It is recommended that you always follow the manufacturer's instructions to assemble this product.

Always follow the manufacturer's recommended mattress size, as per these instructions and the bunk bed / high bed maximum mattress height marking on the item:

Recommended Mattress Size: 90cm x 190cm (UK Single) with Maximum Depth of 18.0cm

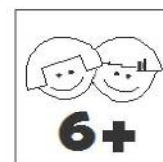
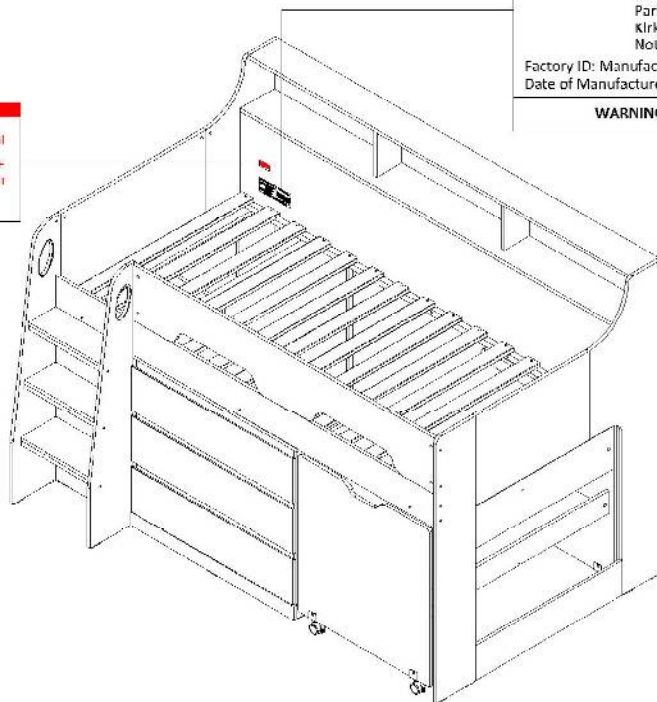
It is necessary to frequently ventilate the room in order to keep the humidity low and to prevent mold in and around the bed.

Please periodically check all the fixings of the item and re-tighten when necessary.

This item conforms to European Safety Standards - BS EN 747-1: 2012 + A1: 2015.

JUPITER MID SLEEPER BED	CERTIFICATION LABEL
Product Code - JUP101/JUP102/JUP103/JUP104 Distributed by : Julian Bowen Limited Bentnck House, Park Lane Business Park, Kirkby-In-Ashfield, Notls, NG17 9LE Factory ID: Manufactured in Malaysia Date of Manufacture: May 2017	This bunk bed model has been tested by an independent laboratory and is in compliance with EN 747-1:2012 + A1:2015 - Standard Consumer Safety Specification For Bunk Beds & High Beds
WARNING: This upper bed is not suitable for children under six years.	

IMPORTANT SAFETY WARNING!
DO NOT PLACE THE MATTRESS ABOVE
THE RED MARKING AREA AND NOT
REMOVE THIS LABEL.



Safety Advice

Please take the time to carefully read through the whole of these instructions before you commence.

Keep these instructions for future reference.

Unpack, inspect and check off all of the contents.

Please dispose of all packaging safely.

Small component parts could choke a child if swallowed.

We strongly recommend that you keep children well away from the work area.

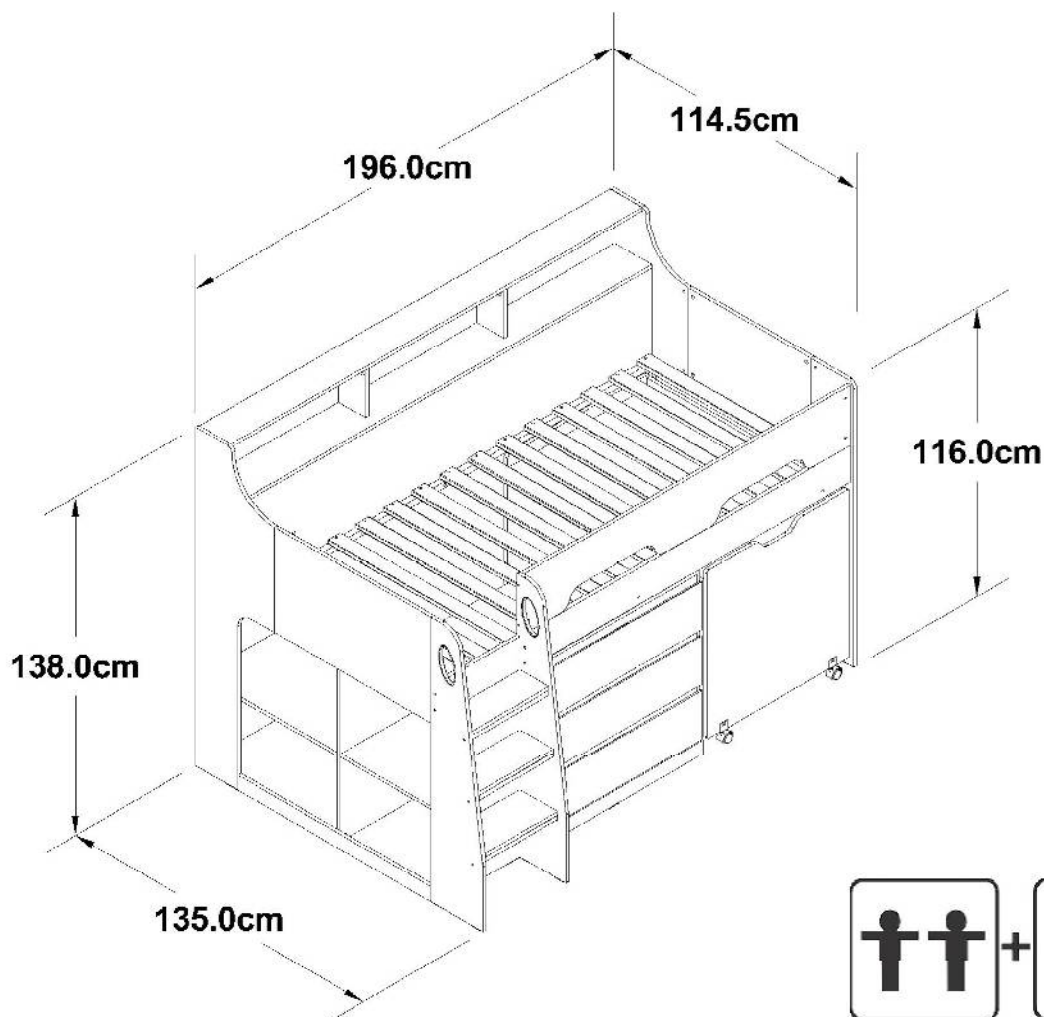
It would be sensible to lay a sheet or blanket on the floor where you intend to work to avoid scratching this product and to protect your floor.

This product is heavy. Take extreme care when lifting to avoid personal injury or damage to the product.

Assemble the product as close to its intended final position in the room as possible.

Please check the contents of boxes before attempting to assemble this product. A full checklist of parts and fittings is given in page 5 of this instruction leaflet.

HANDY HINT: If you keep the hardware in a bowl during assembly you will be less likely to lose them.



1



A x 10



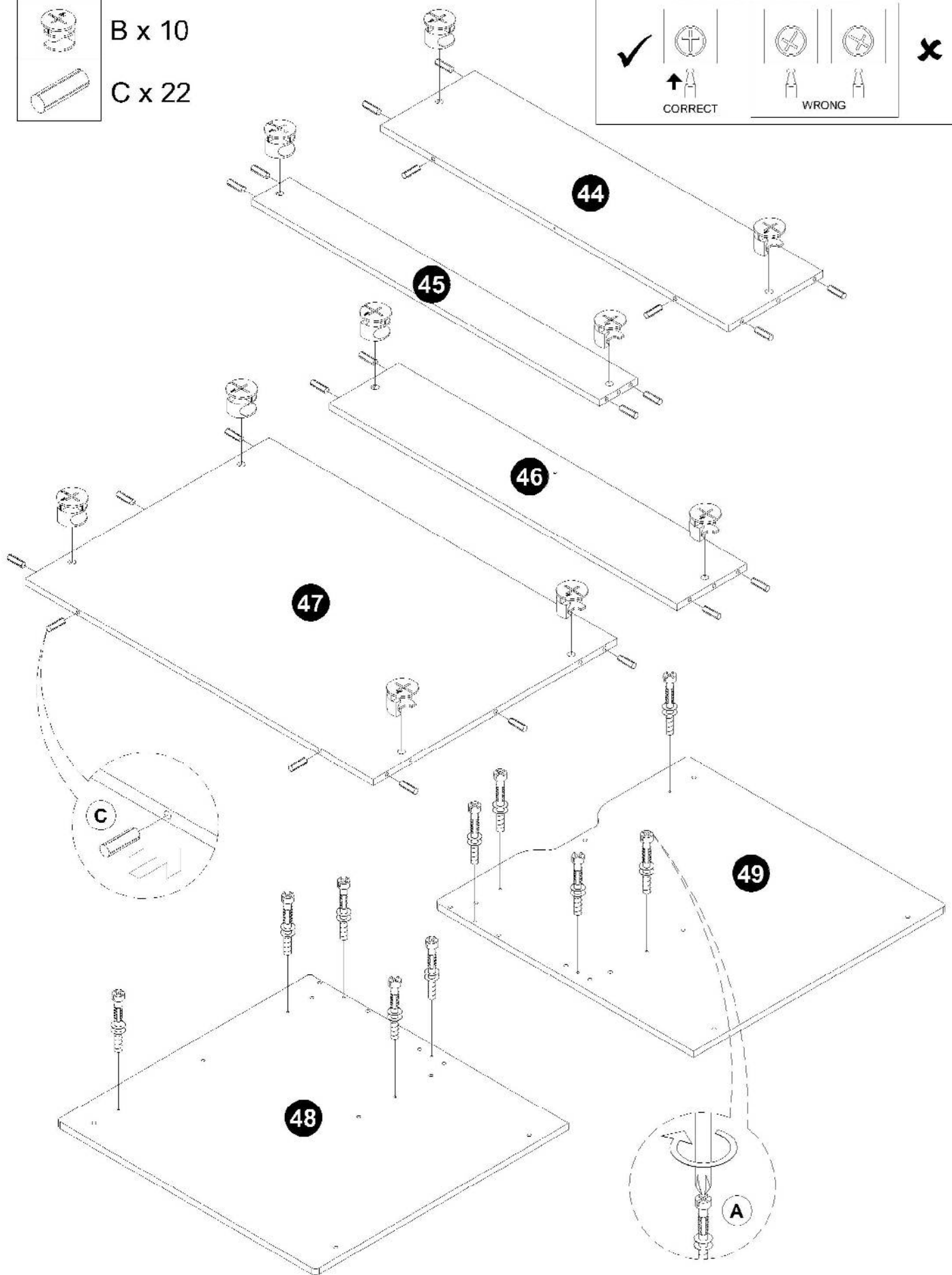
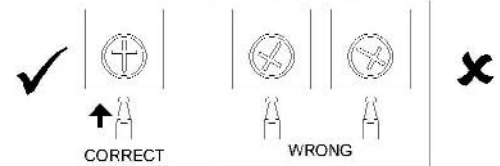
B x 10



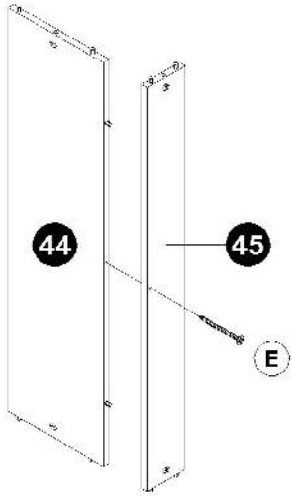
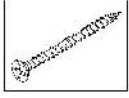
C x 22

WHEN FITTING CAMS

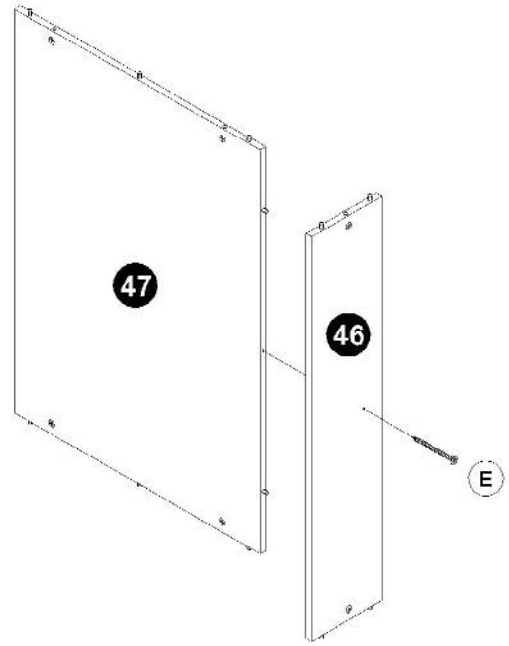
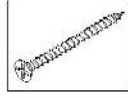
ENSURE STARTING POSITION IS CORRECT
BEFORE YOU INSERT CONNECTING BOLT
TURN CLOCKWISE UNTIL SECURE



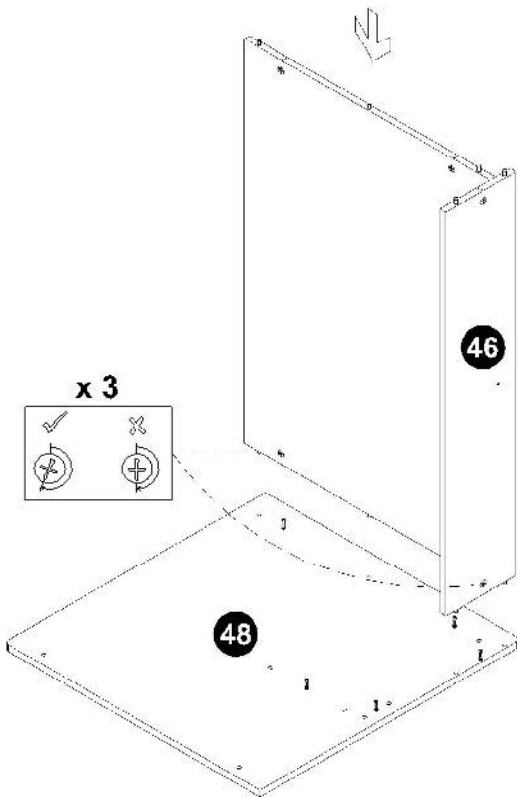
2 Ex 1



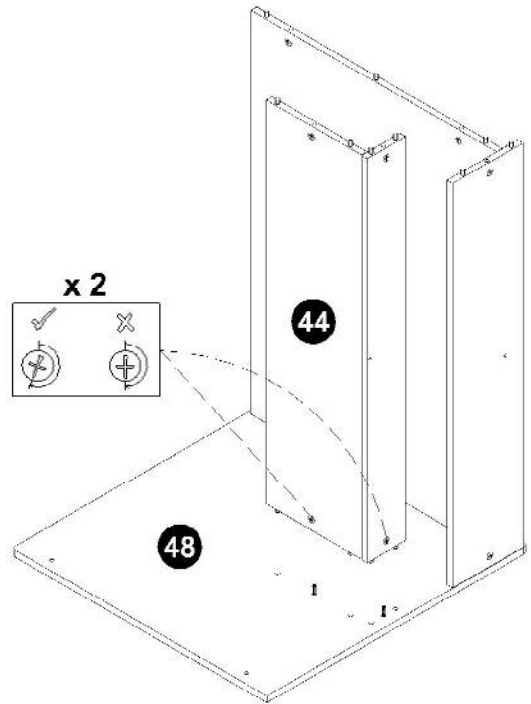
3 Ex 1



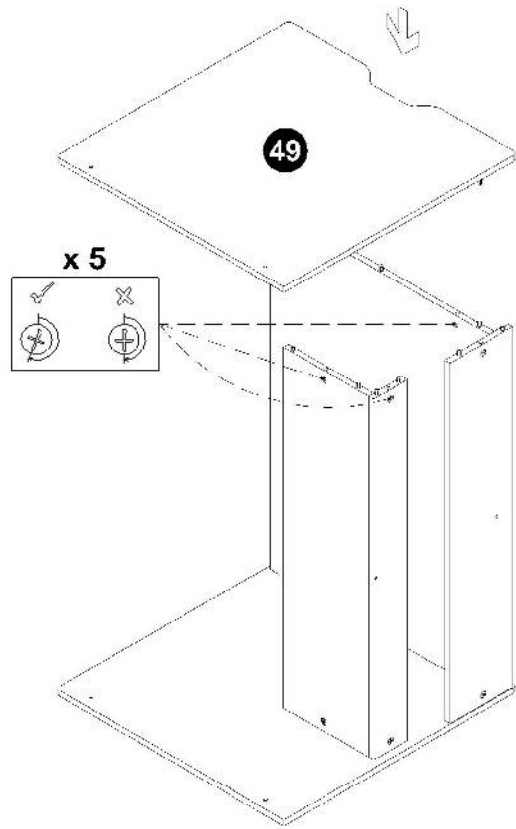
4



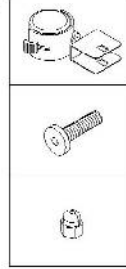
5



6



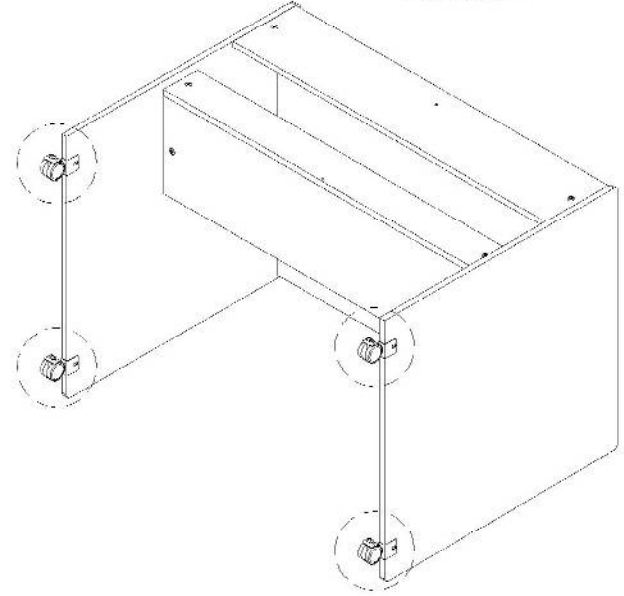
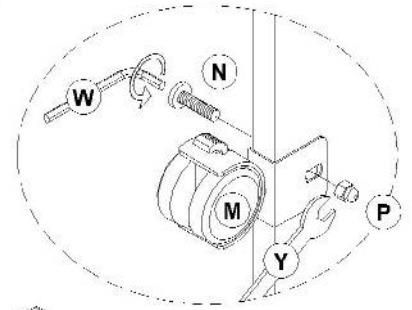
7



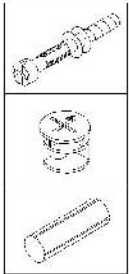
M x 4

N x 4

P x 4



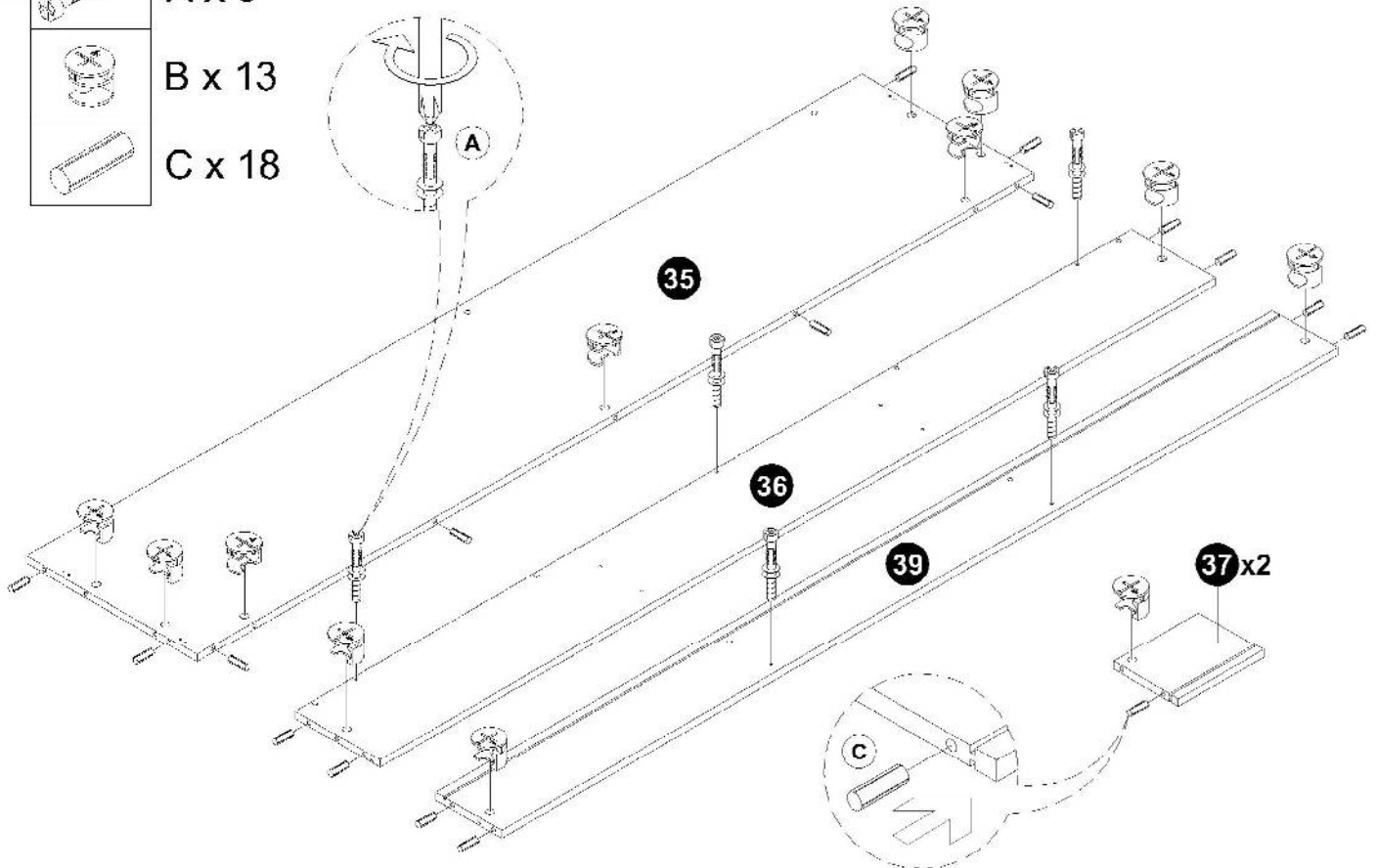
8



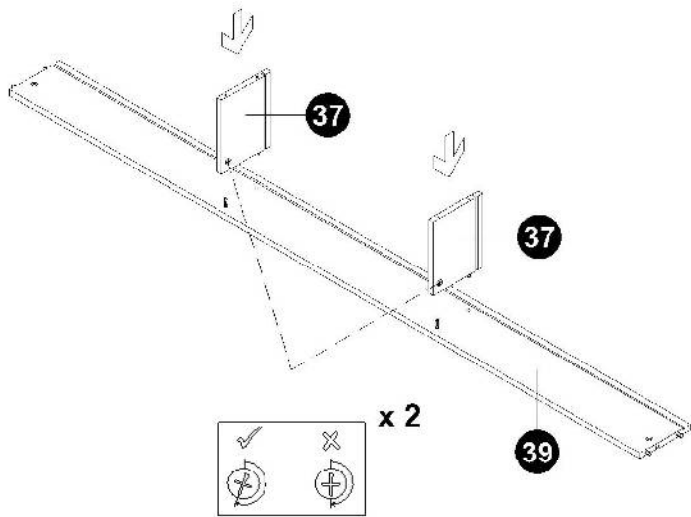
A x 5

B x 13

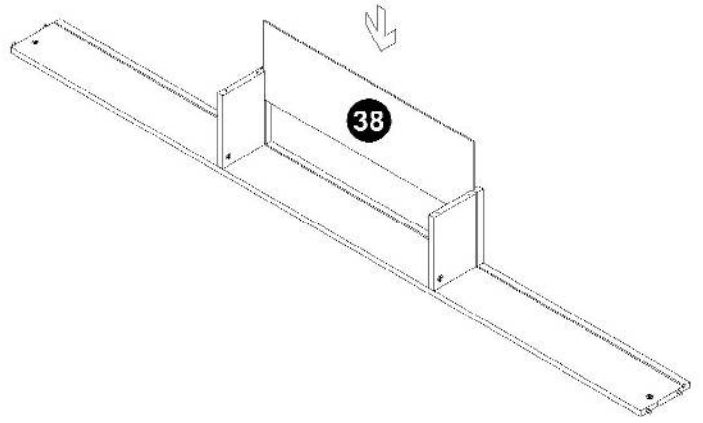
C x 18



9



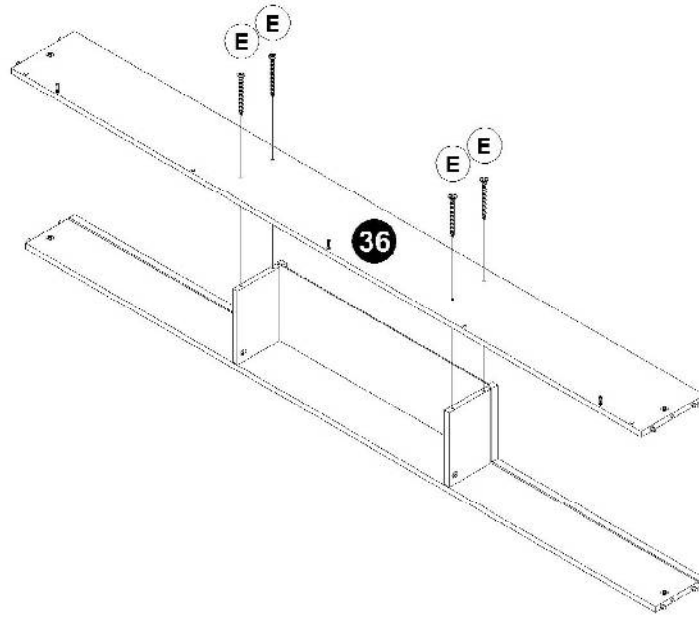
10



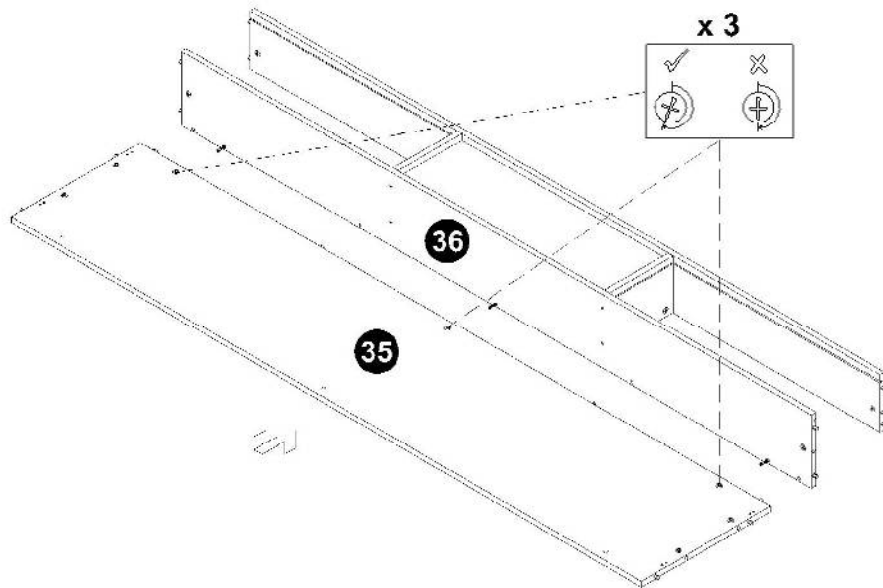
11



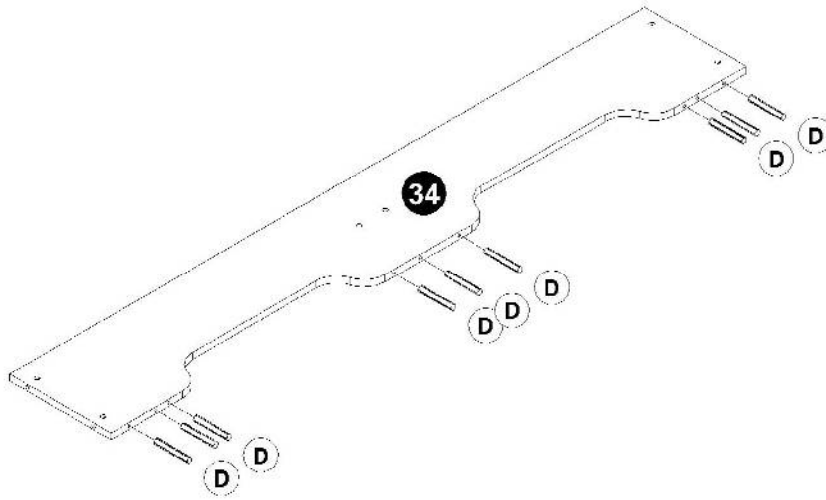
E x 4



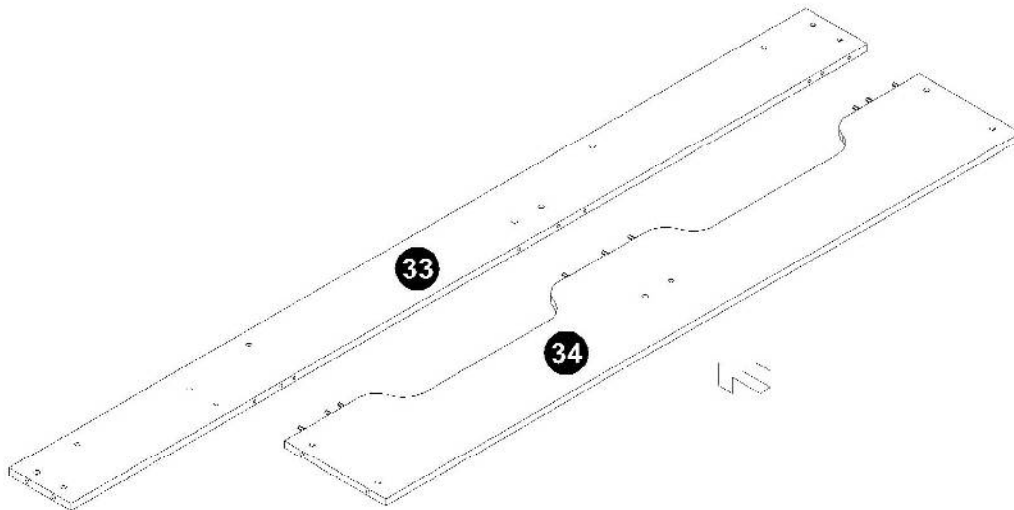
12





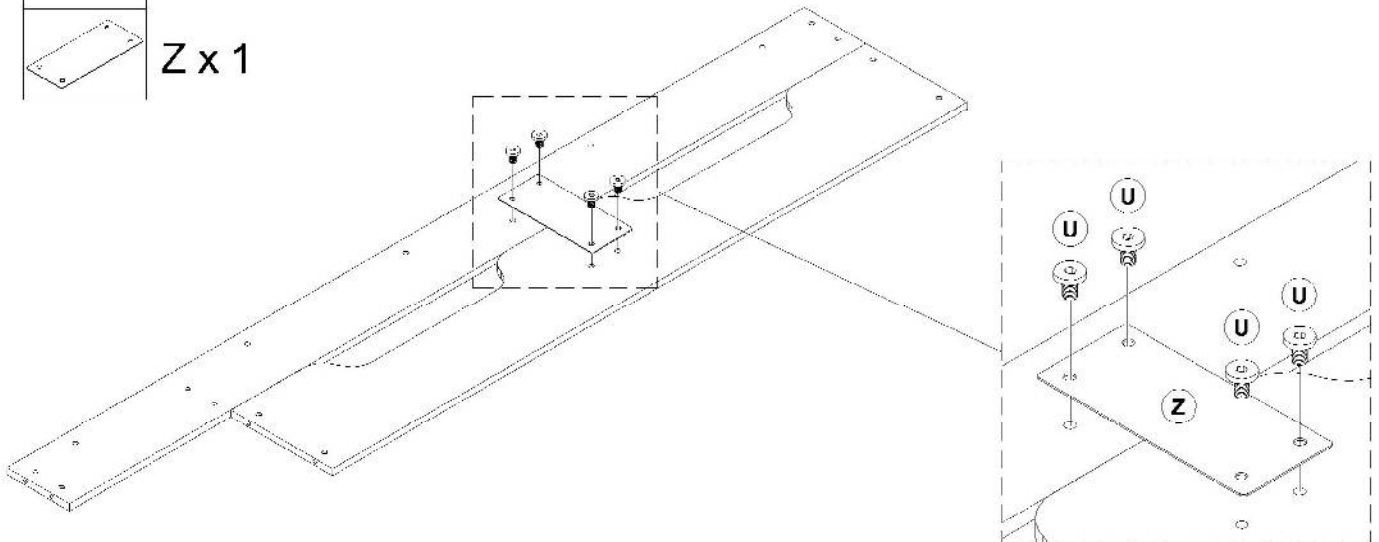
13  D x 9



14



15  U x 4
 Z x 1

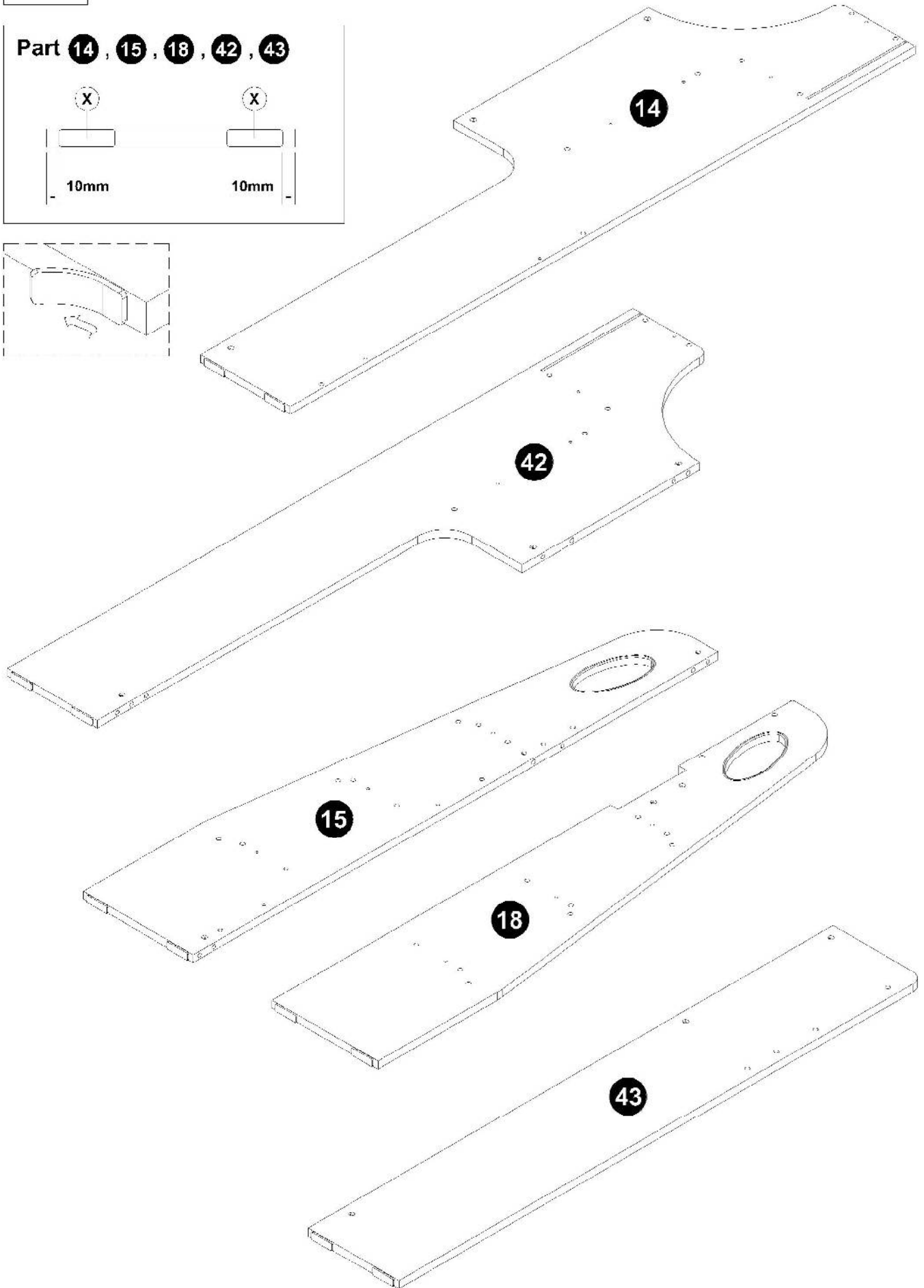
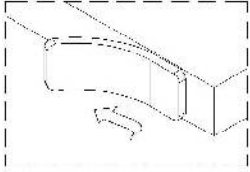


16

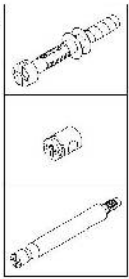


X x 10

Part 14, 15, 18, 42, 43



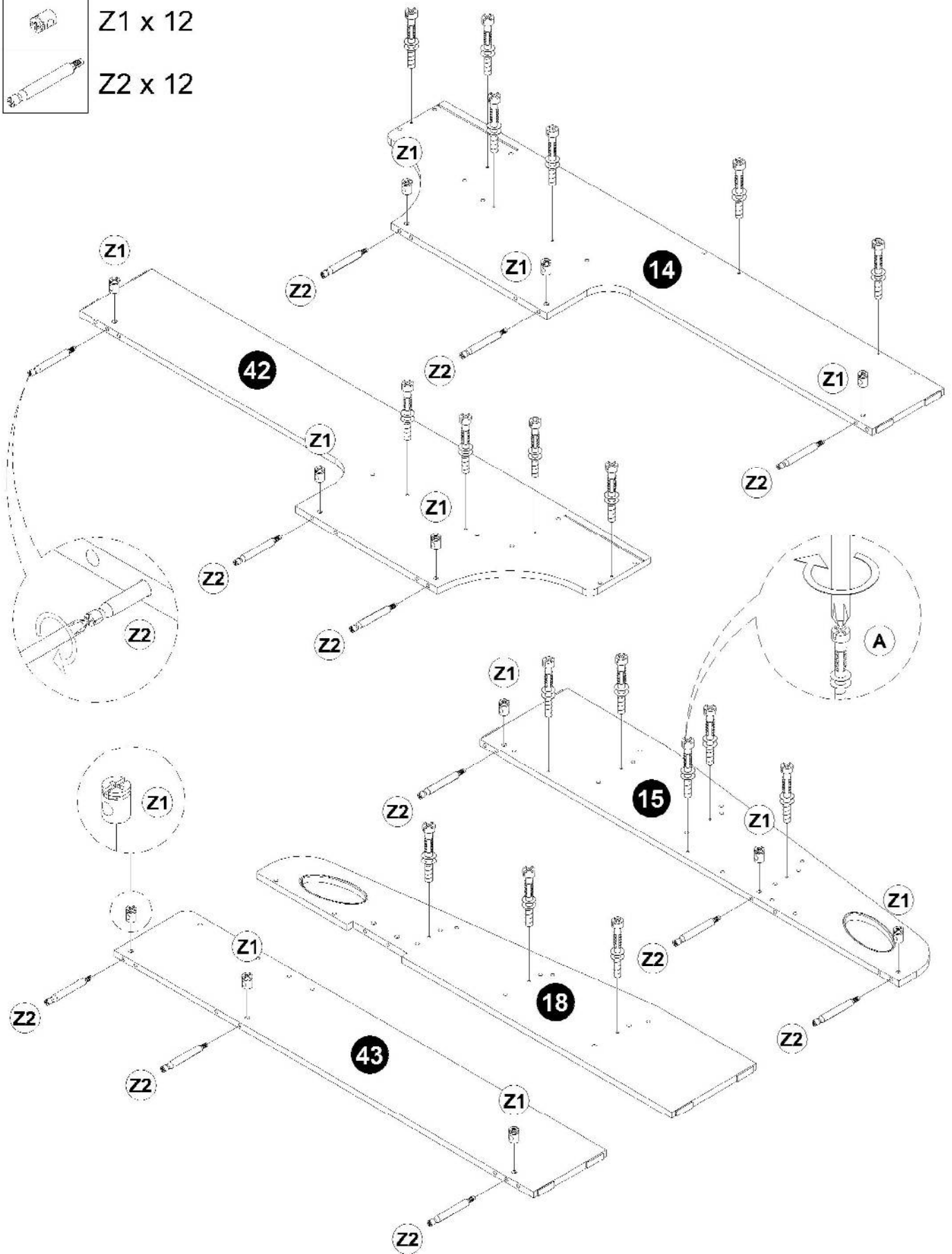
17



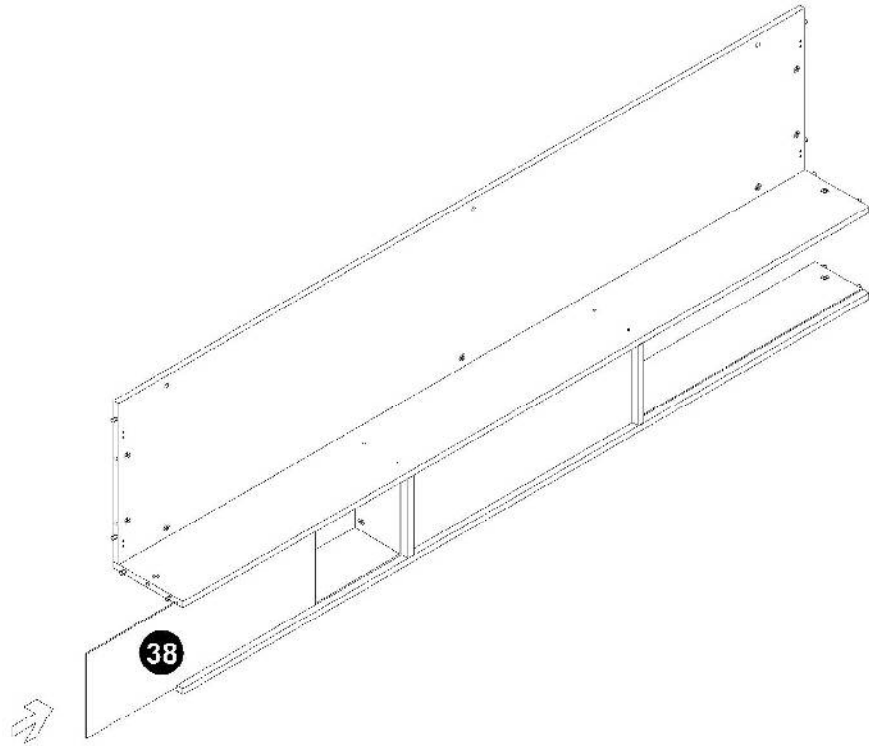
A x 18

Z1 x 12

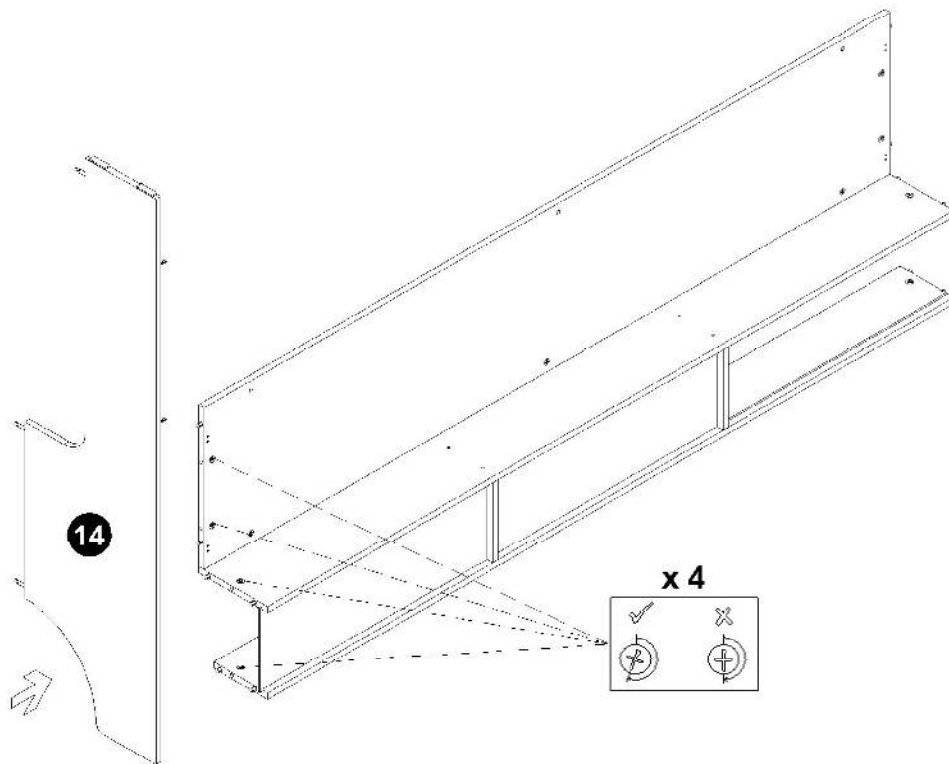
Z2 x 12



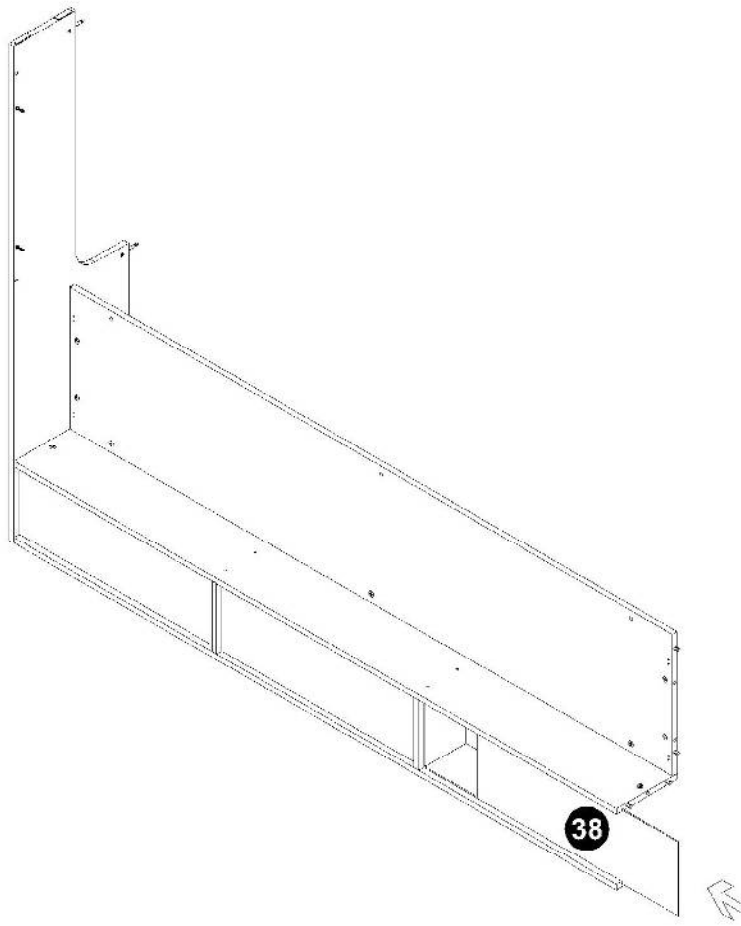
18



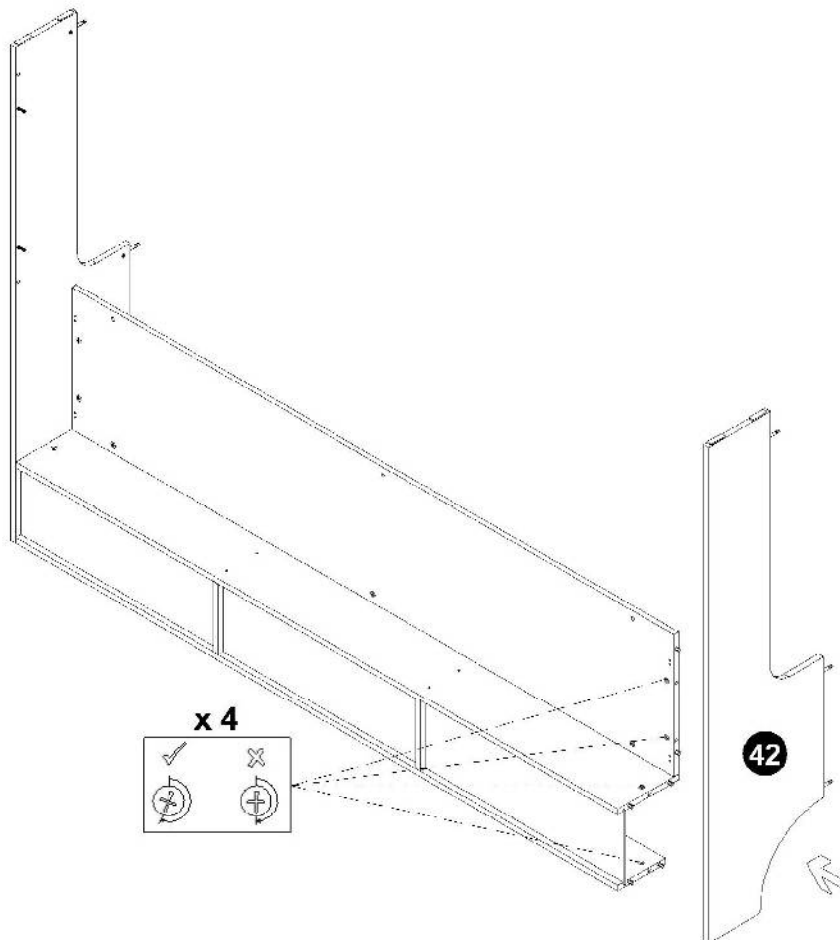
19



20



21



22

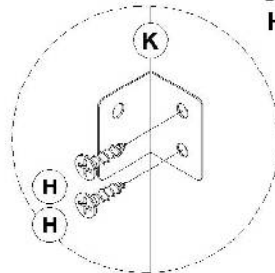


H x 16

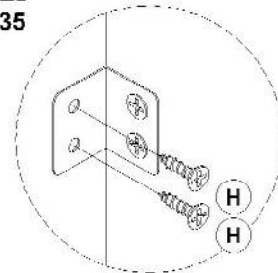


K x 4

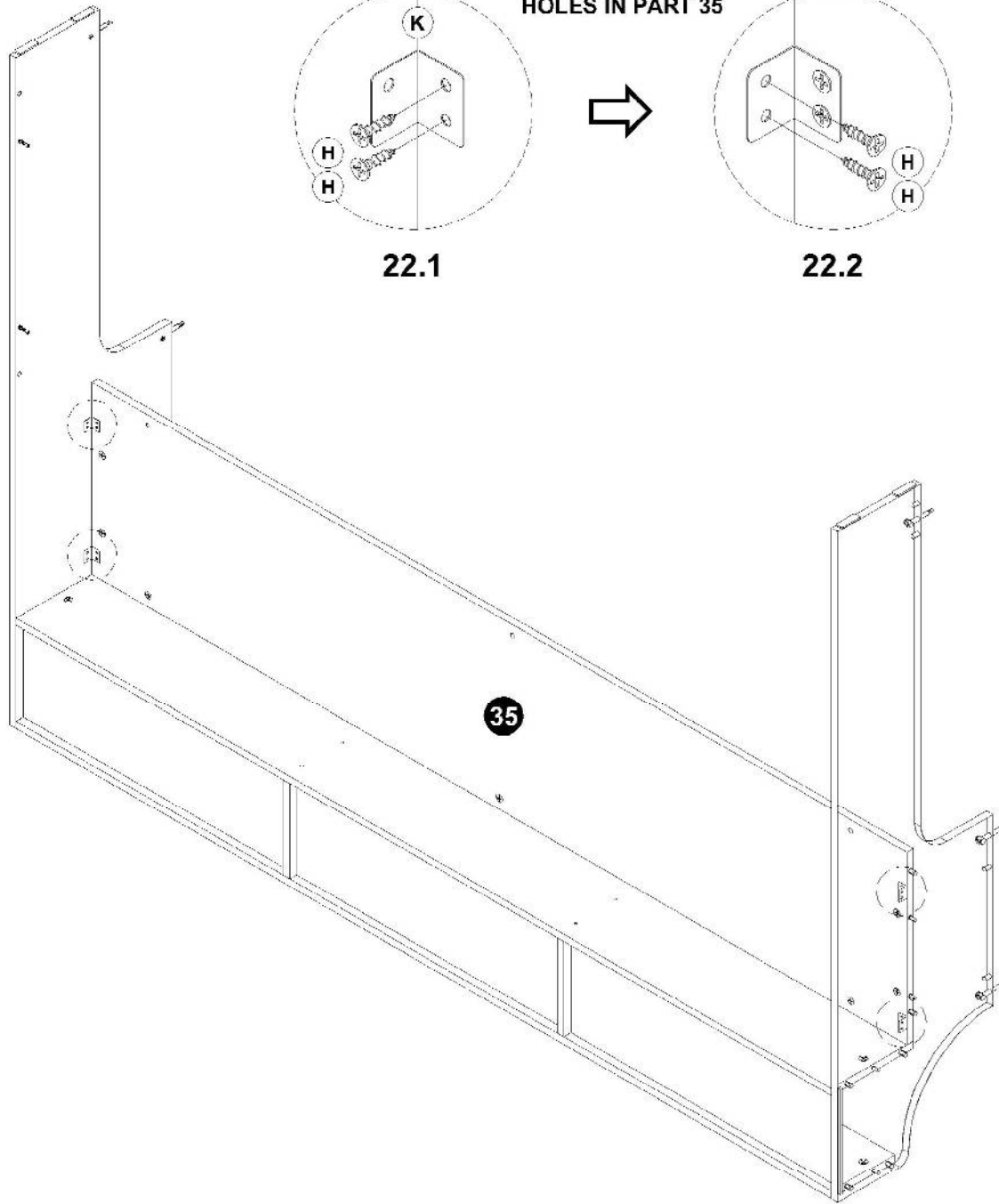
USE PRE - DRILLED
HOLES IN PART 35



22.1



22.2



23



A x 1



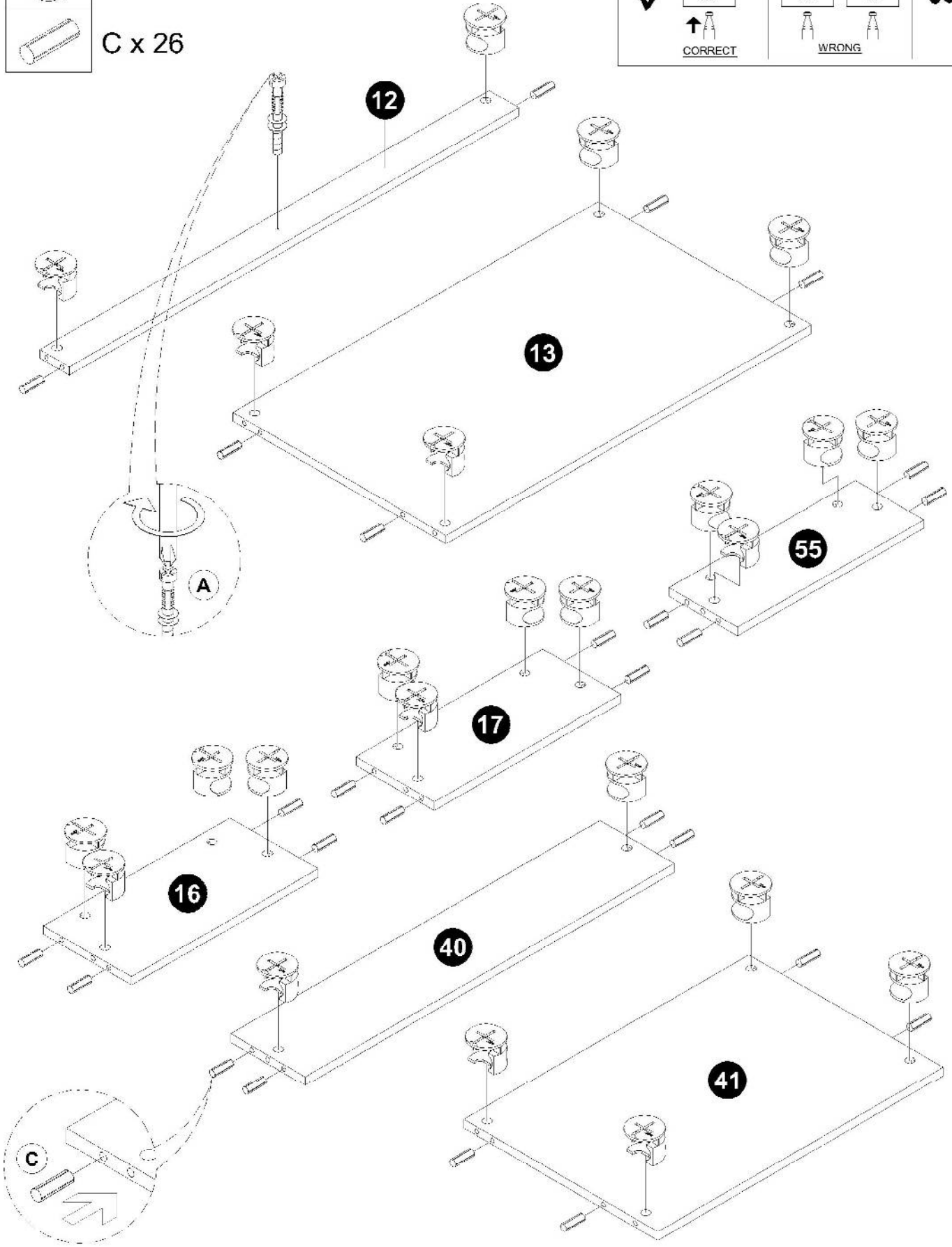
B x 24



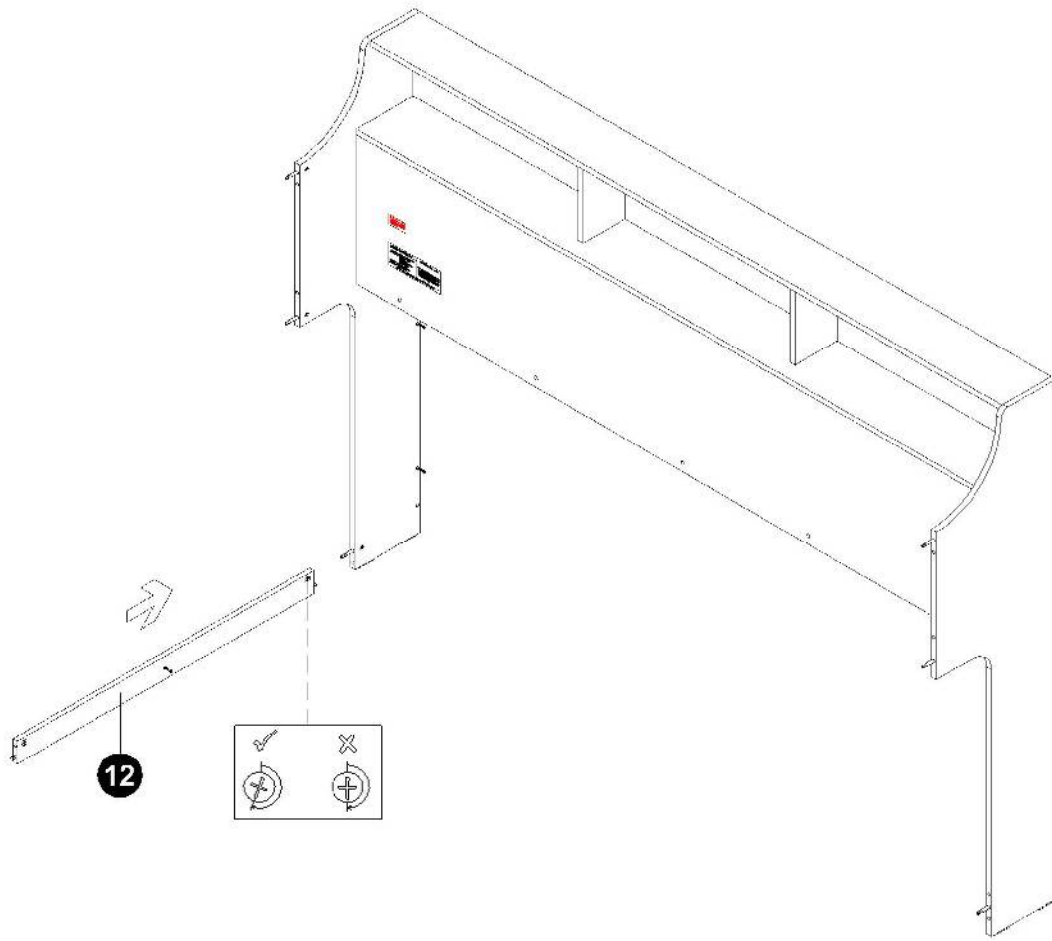
C x 26

WHEN FITTING CAMS
 ENSURE STARTING POSITION IS CORRECT
 BEFORE YOU INSERT CONNECTING BOLT
 TURN CLOCKWISE UNTIL SECURE

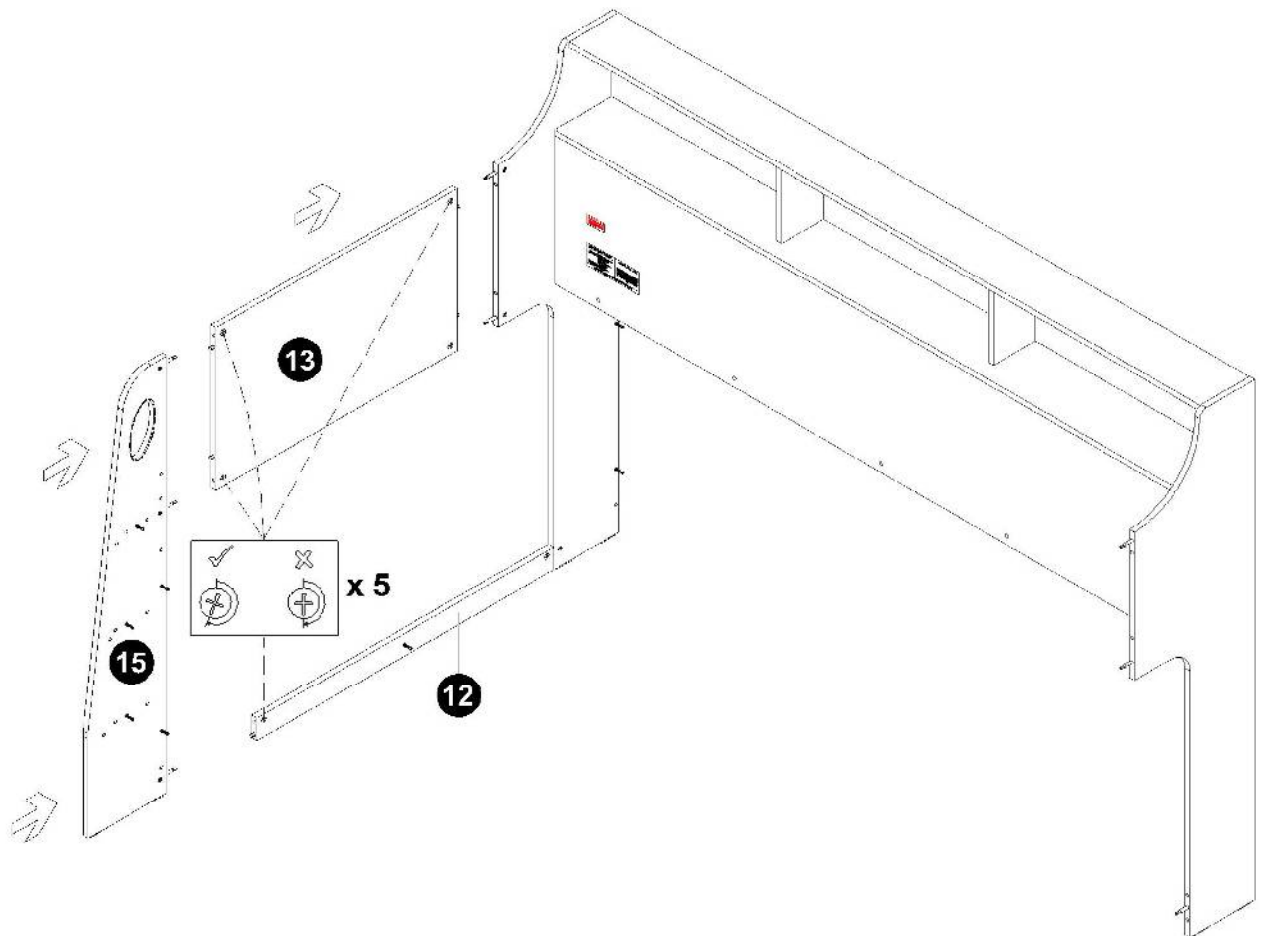
✓ X
 ↑
 CORRECT WRONG



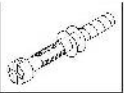
24



25



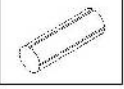
26



A x 16



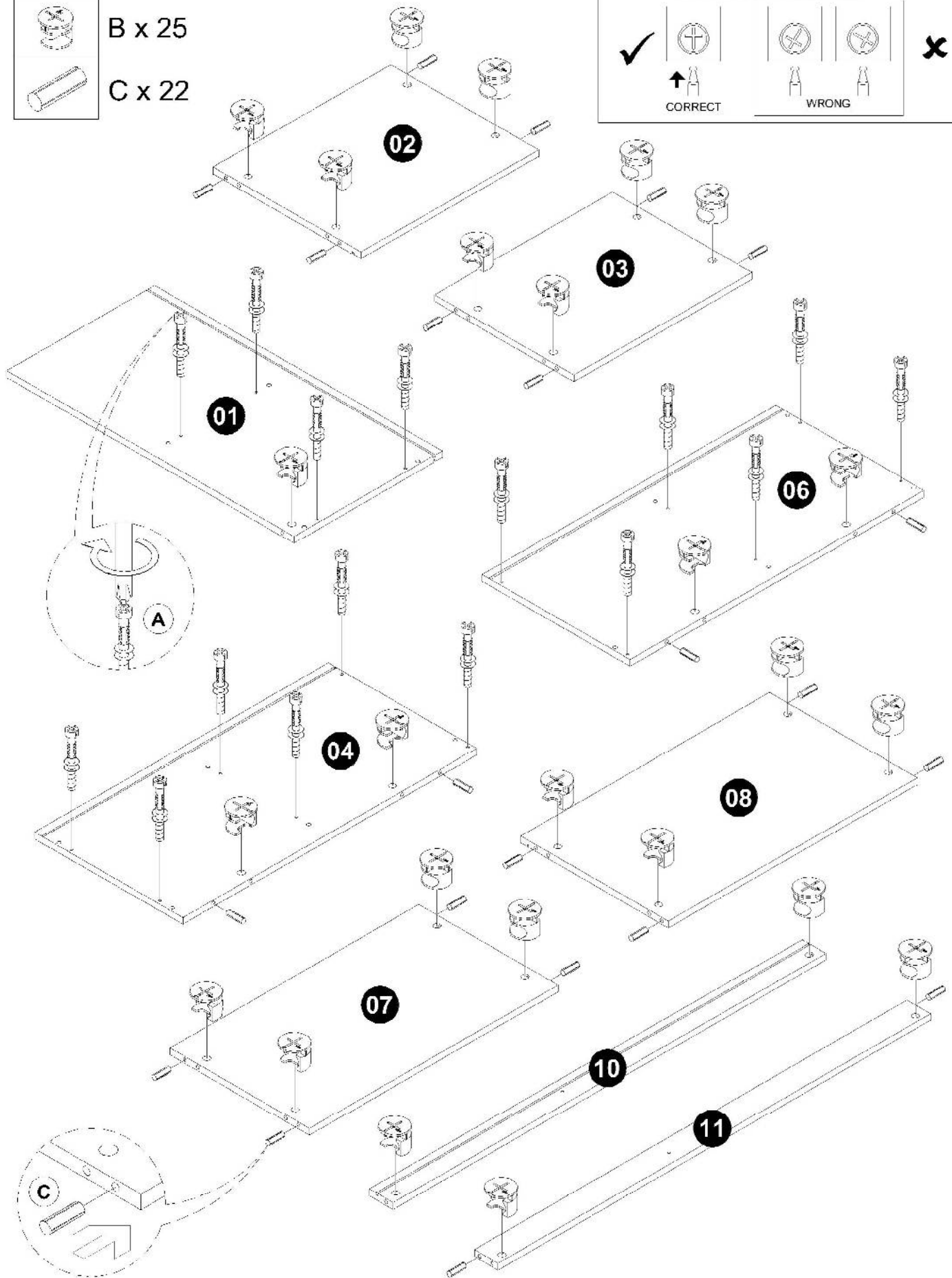
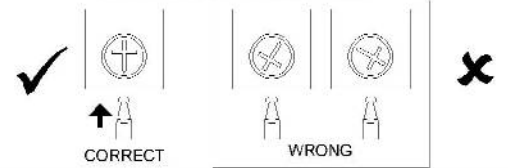
B x 25



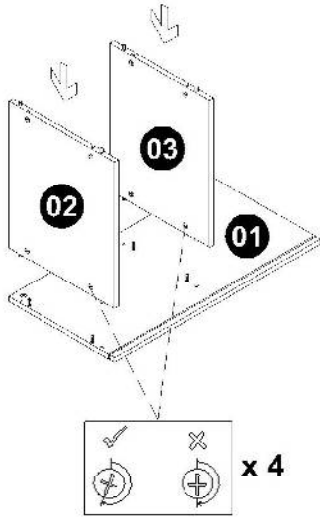
C x 22

WHEN FITTING CAMS

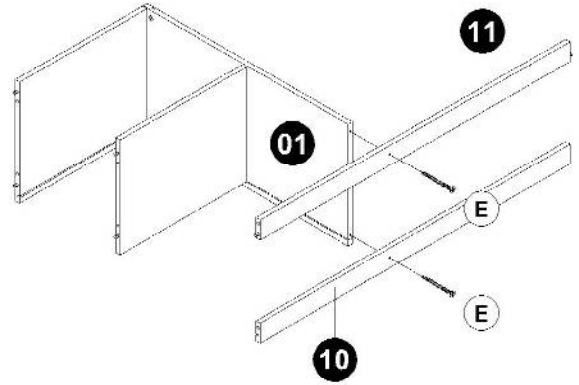
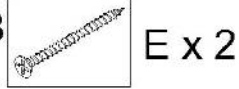
ENSURE STARTING POSITION IS CORRECT
BEFORE YOU INSERT CONNECTING BOLT
TURN CLOCKWISE UNTIL SECURE



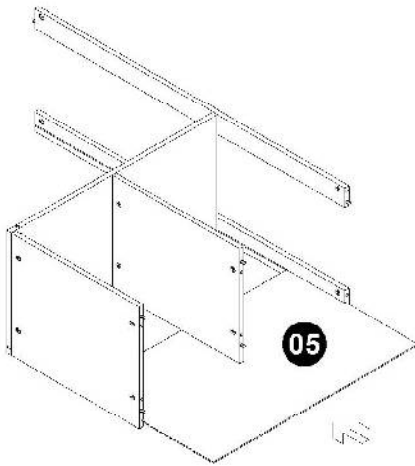
27



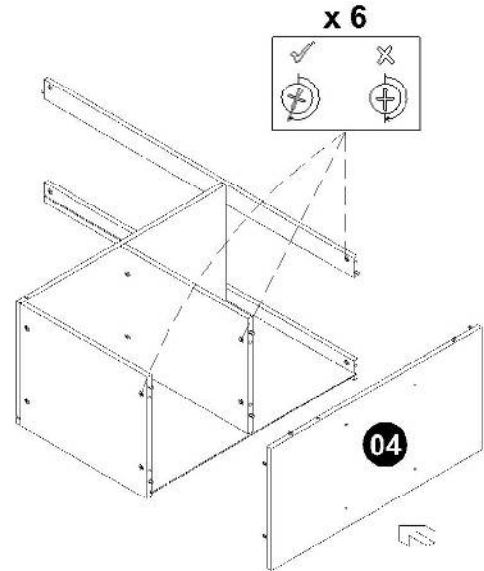
28



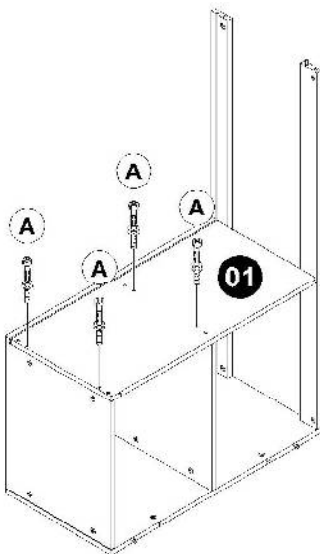
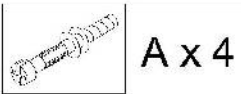
29



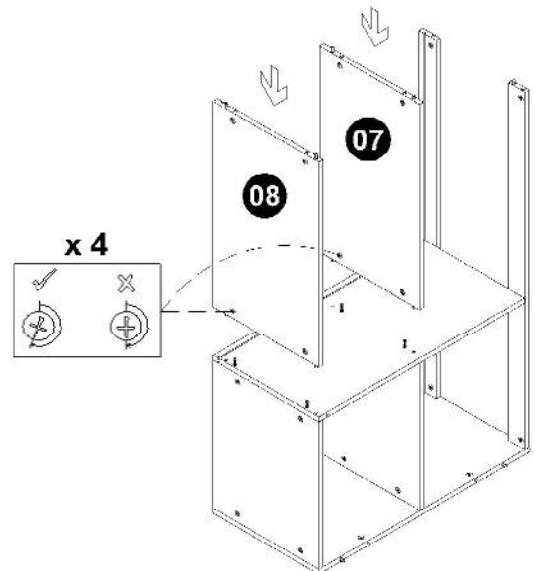
30



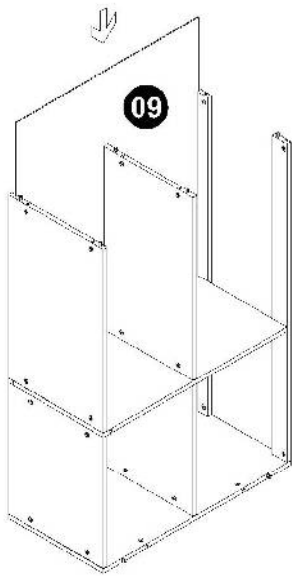
31



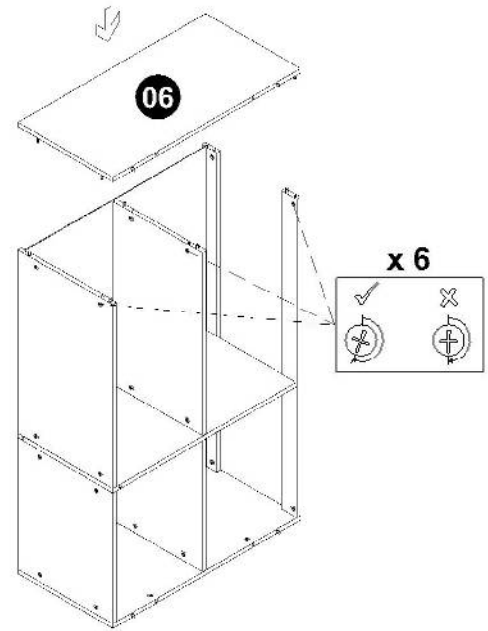
32



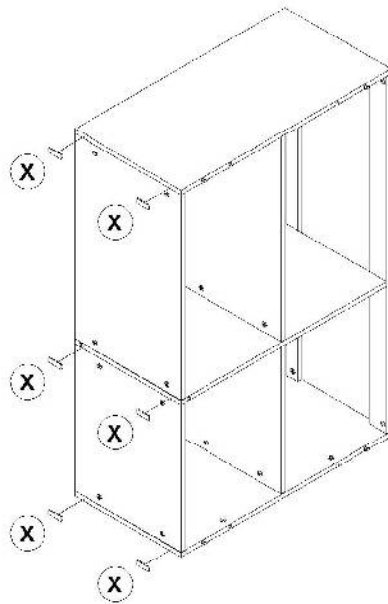
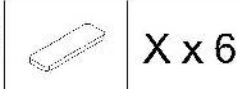
33



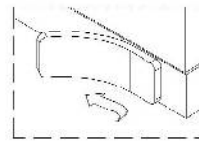
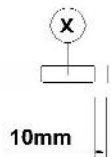
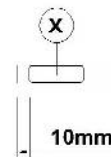
34



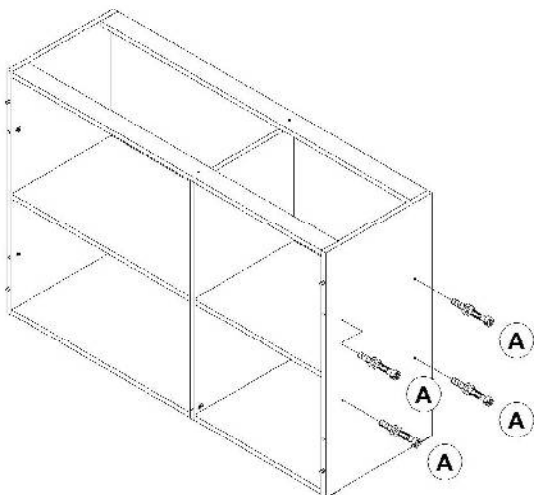
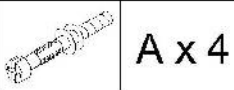
35



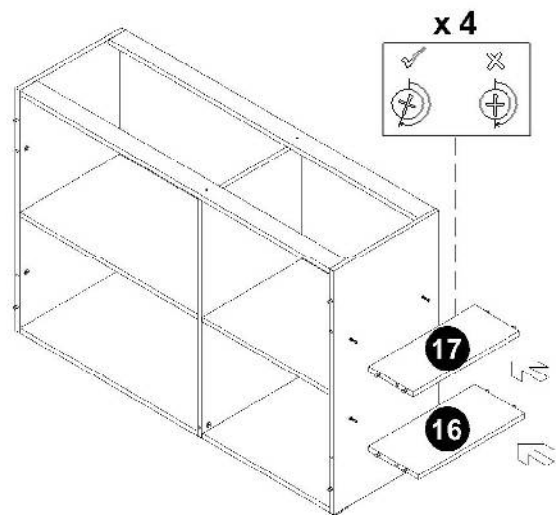
Part 01, 04, 06



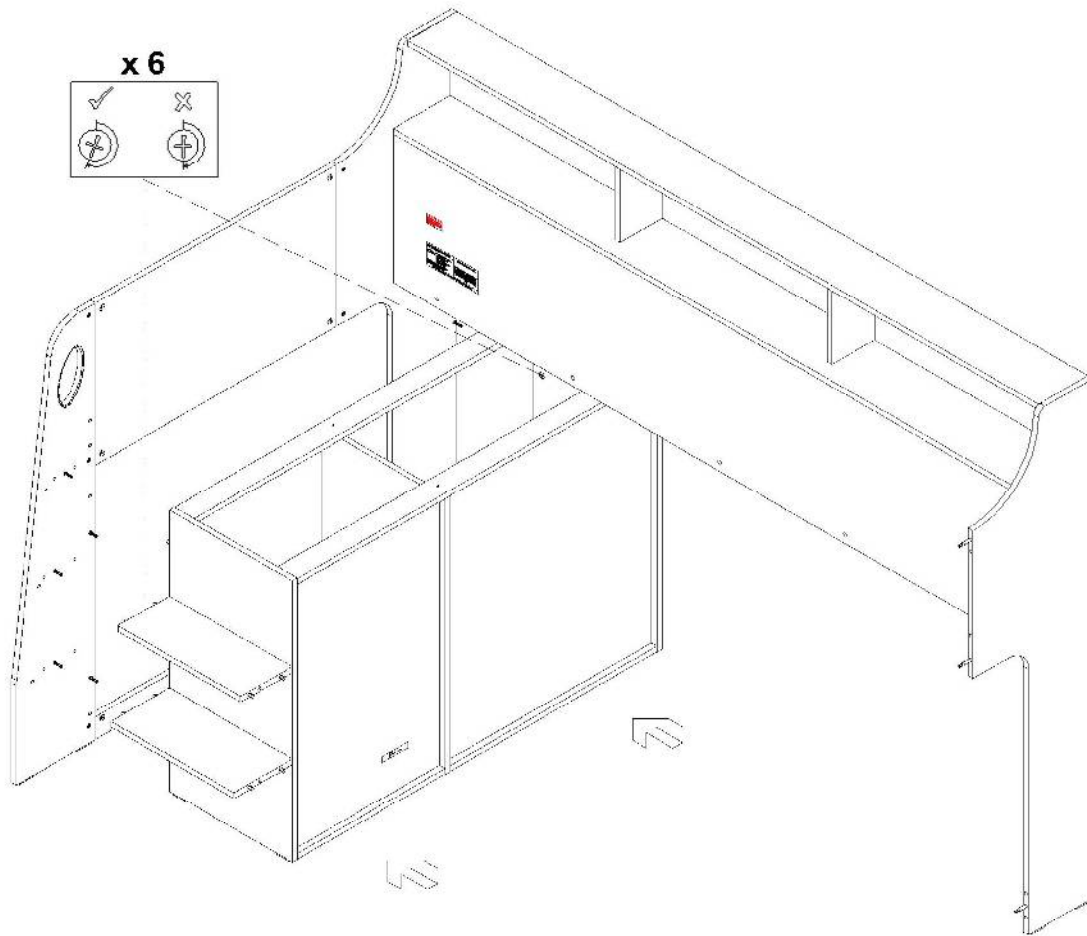
36



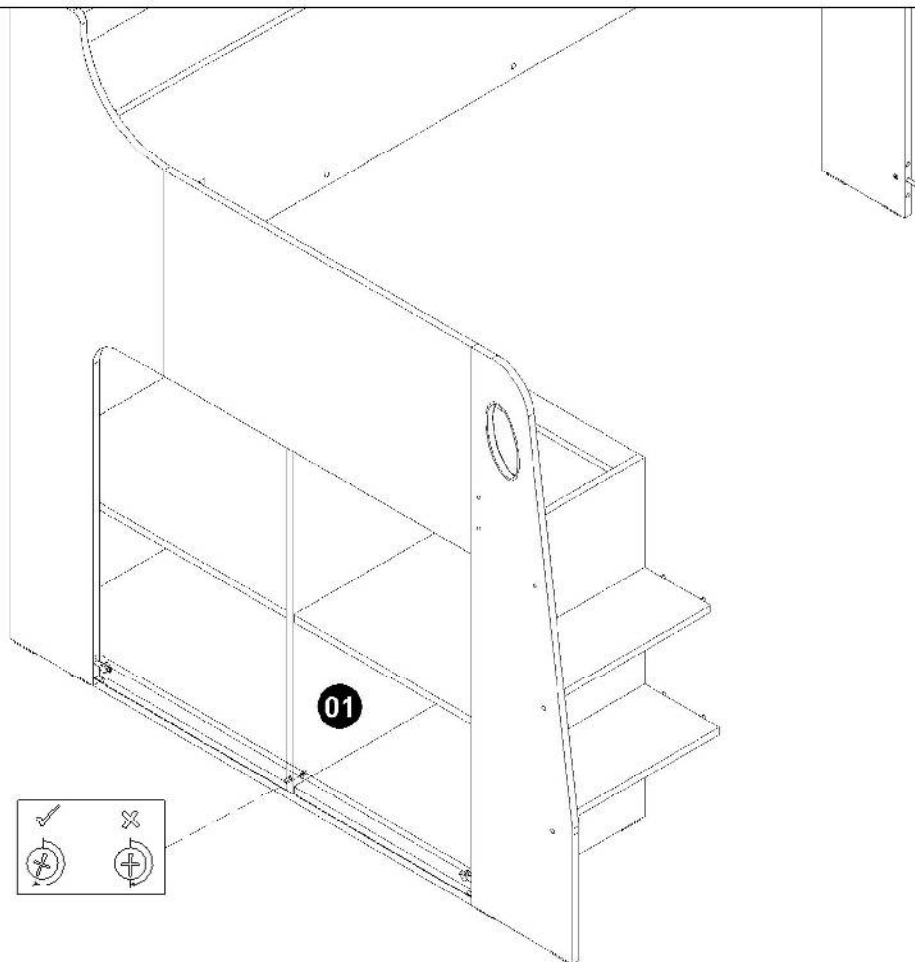
37



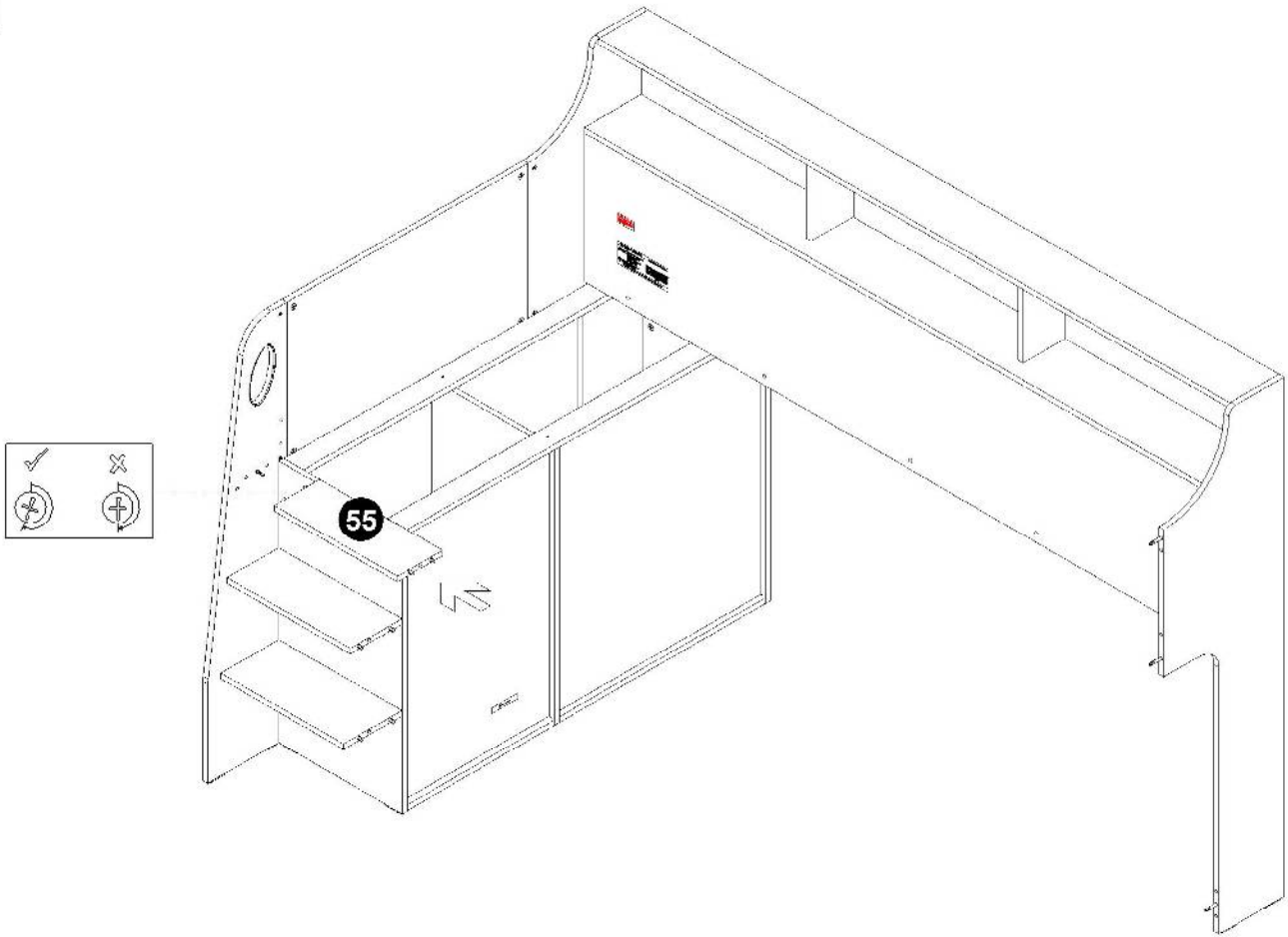
38



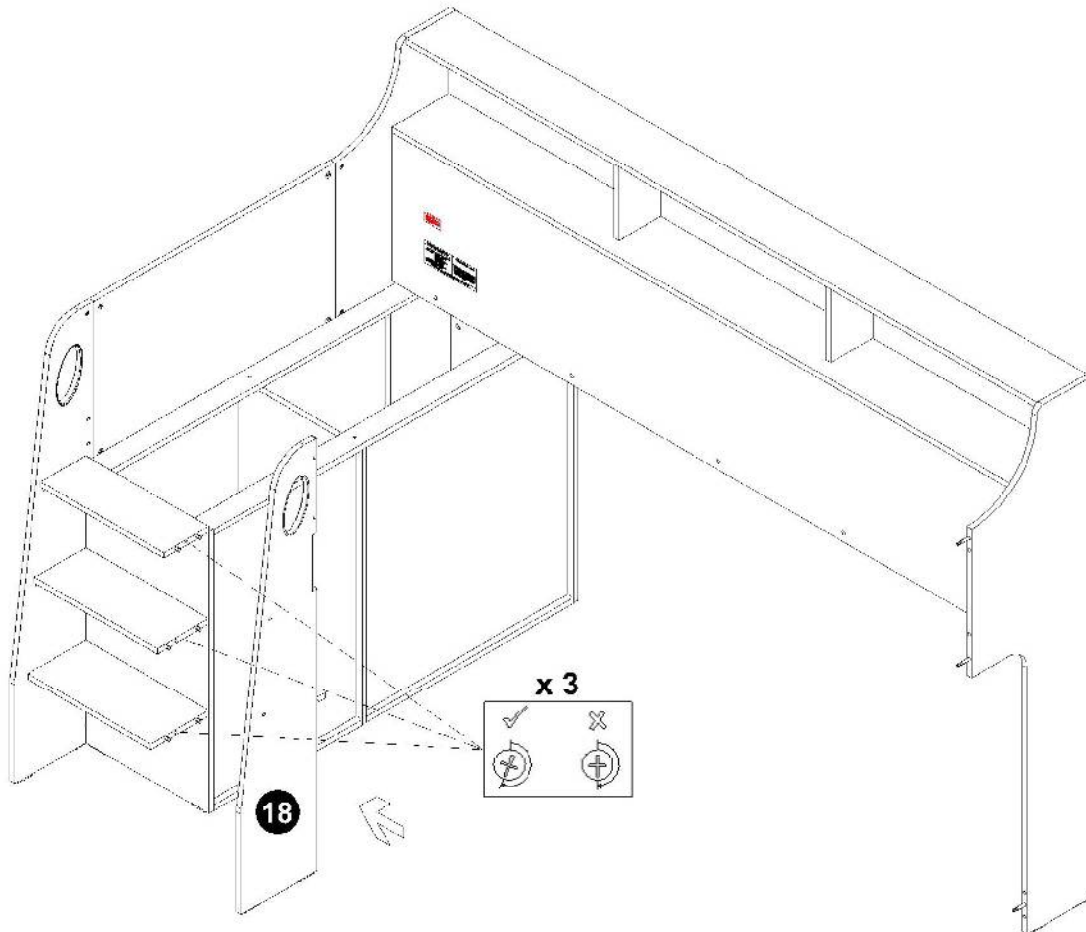
39



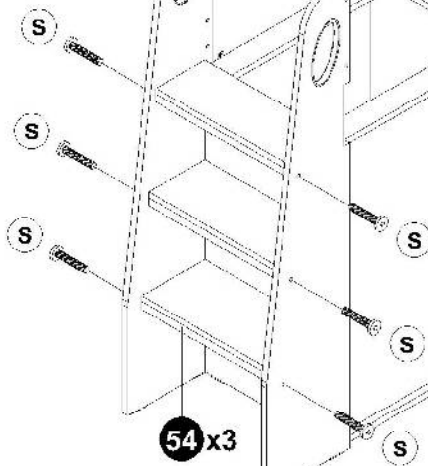
40



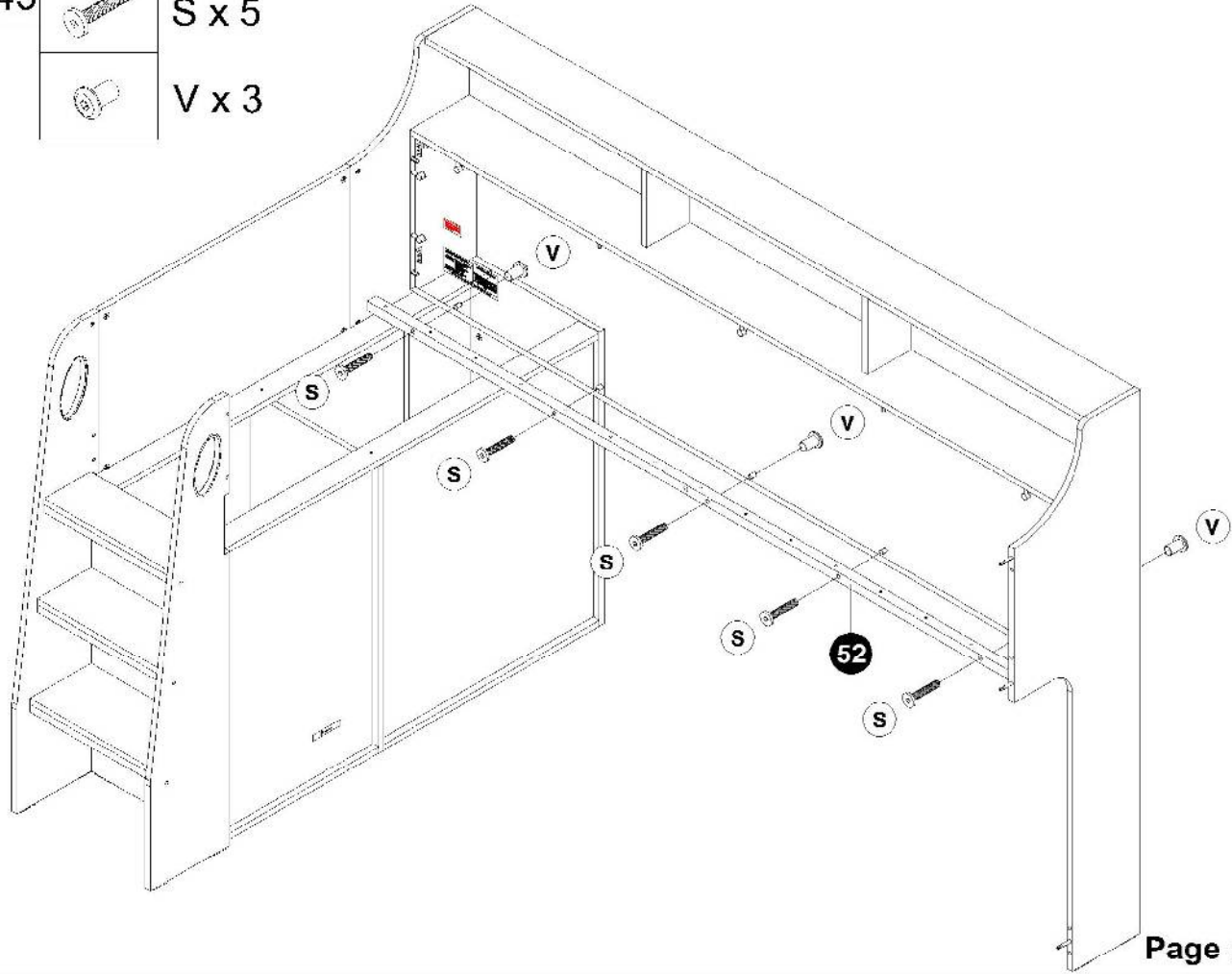
41



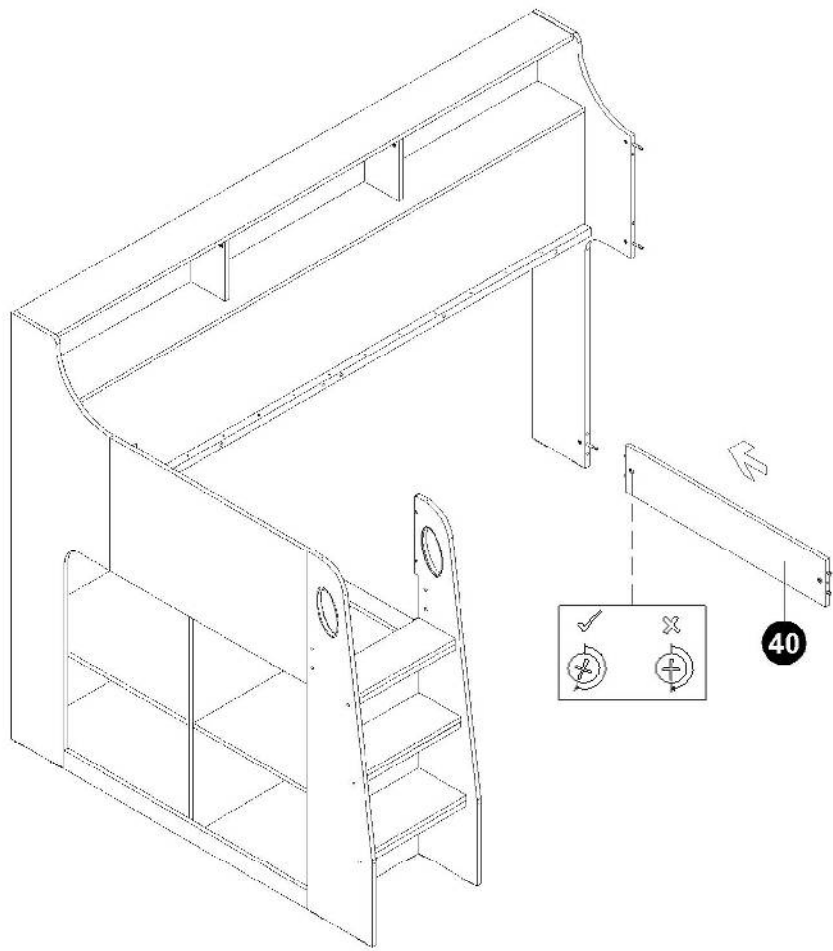
42 S x 6



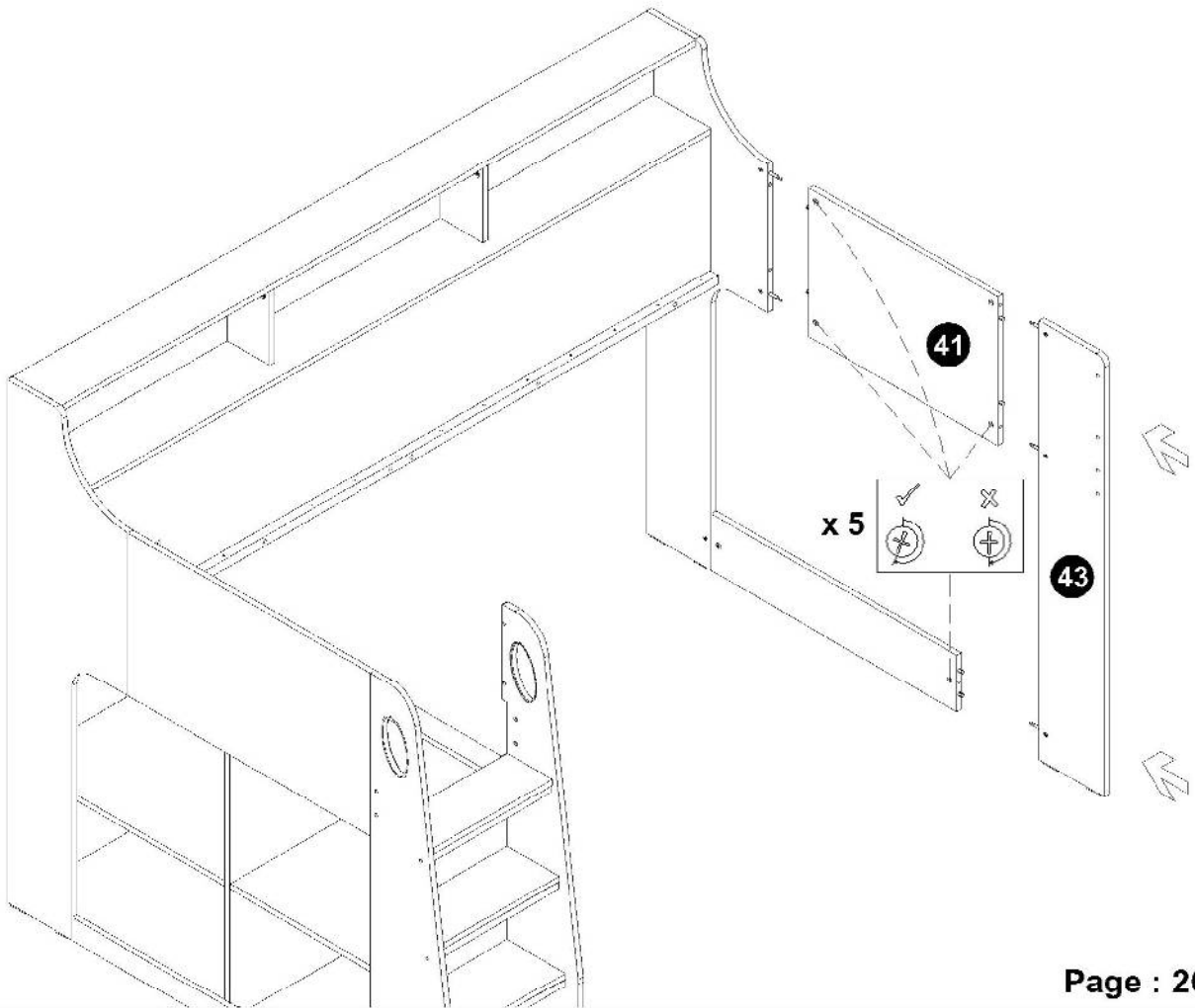
43 S x 5
V x 3



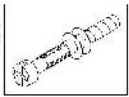
44



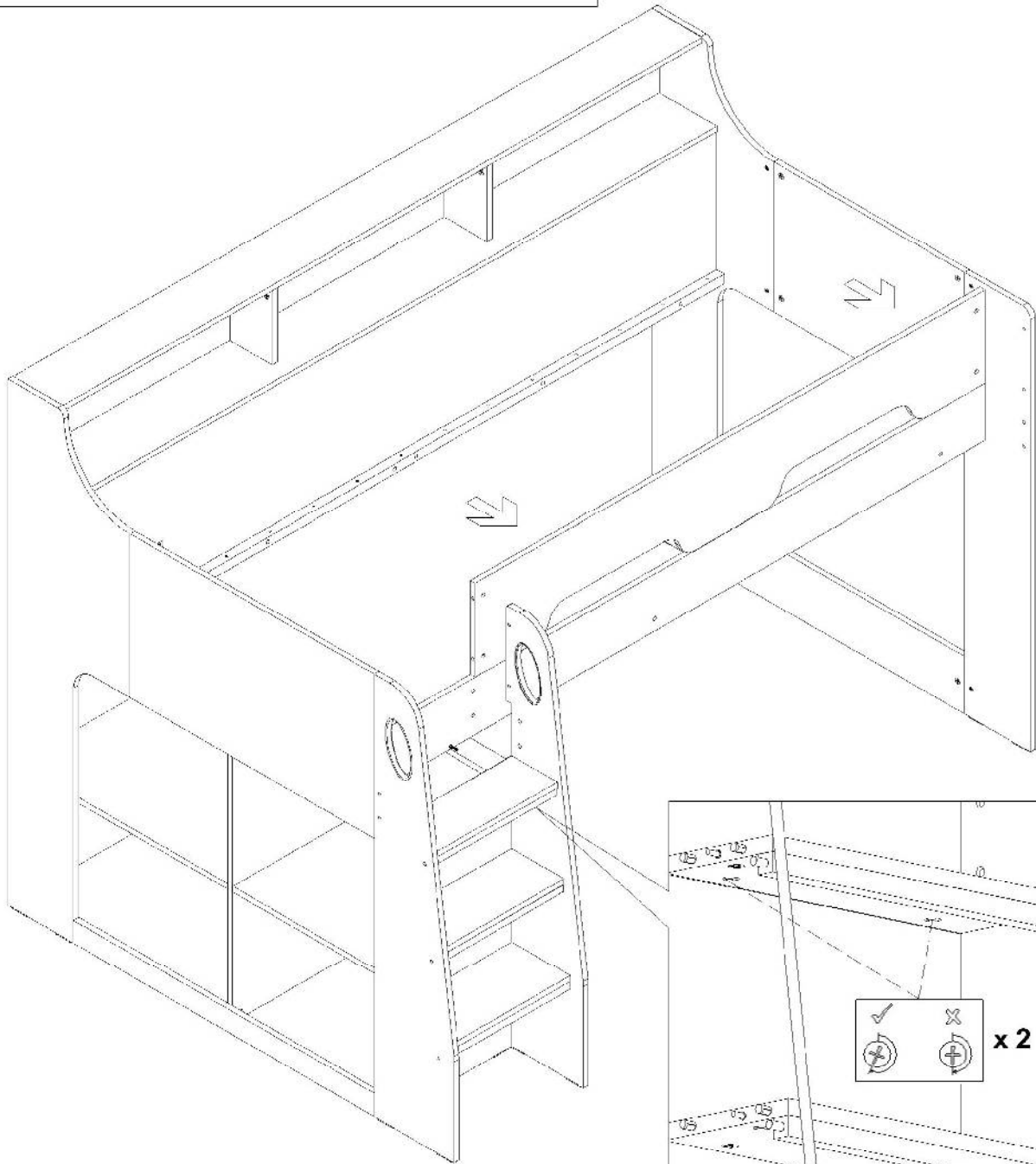
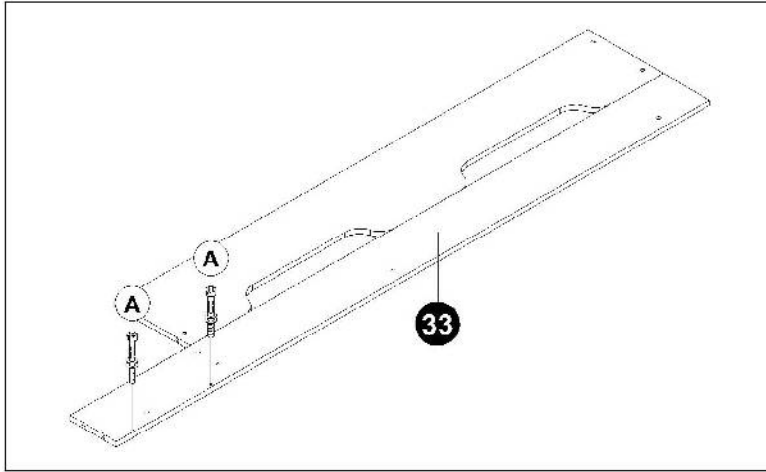
45



46



A x 2



47



Q x 4



R x 8



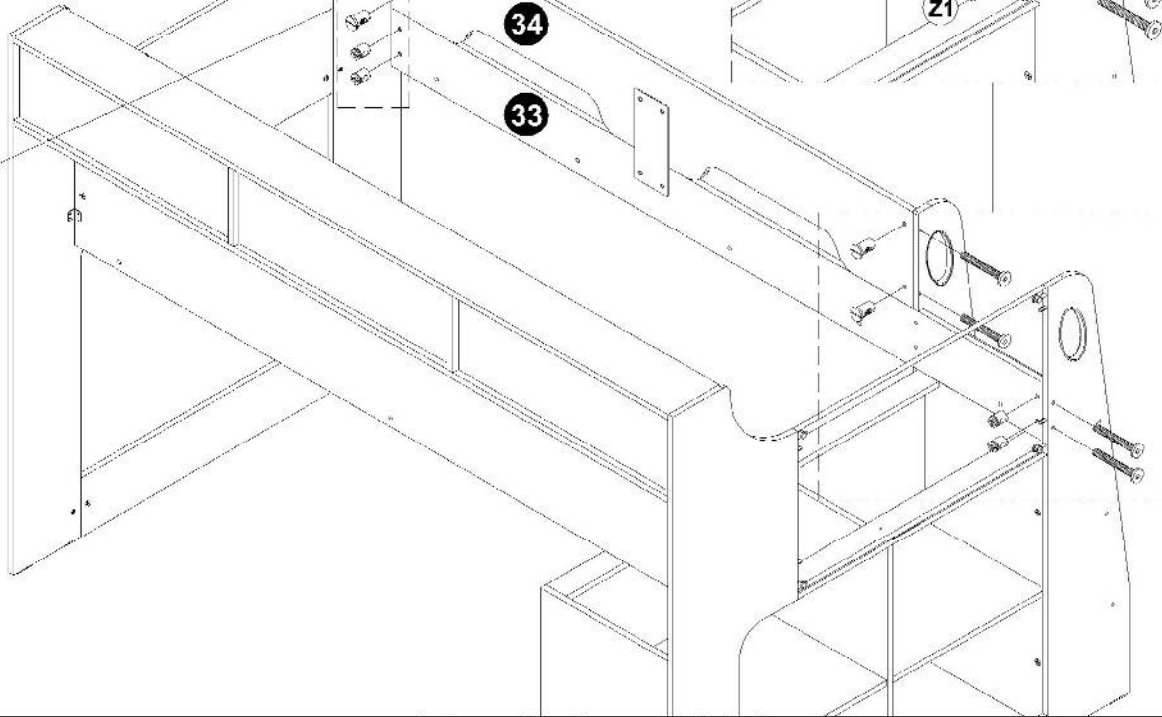
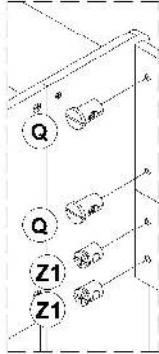
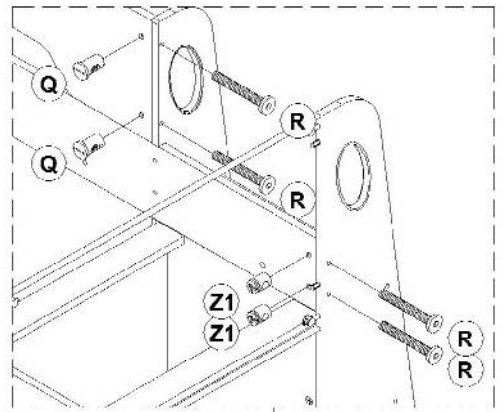
Z1 x 4

R

R

R

R



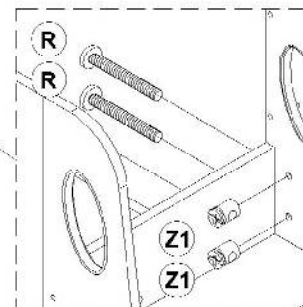
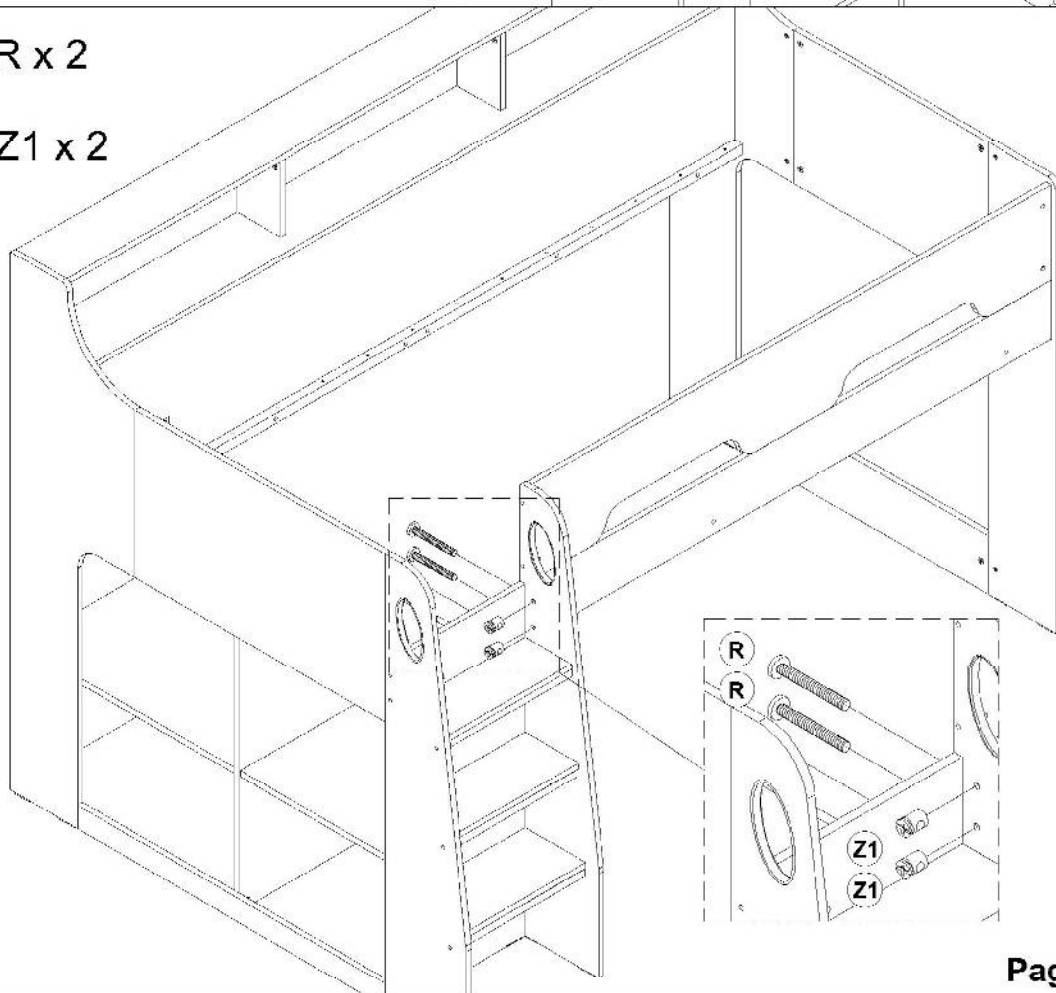
48



R x 2



Z1 x 2



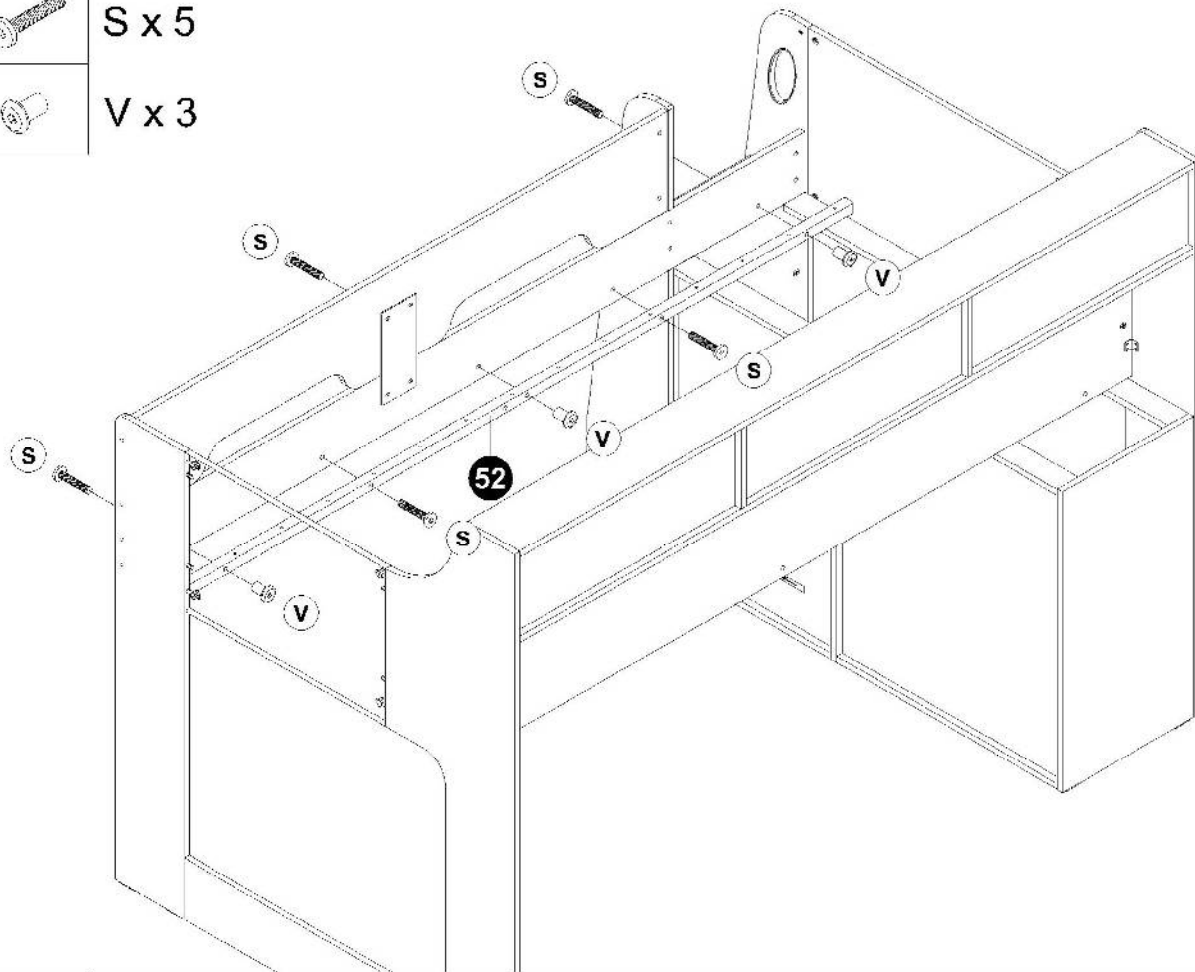
49



S x 5



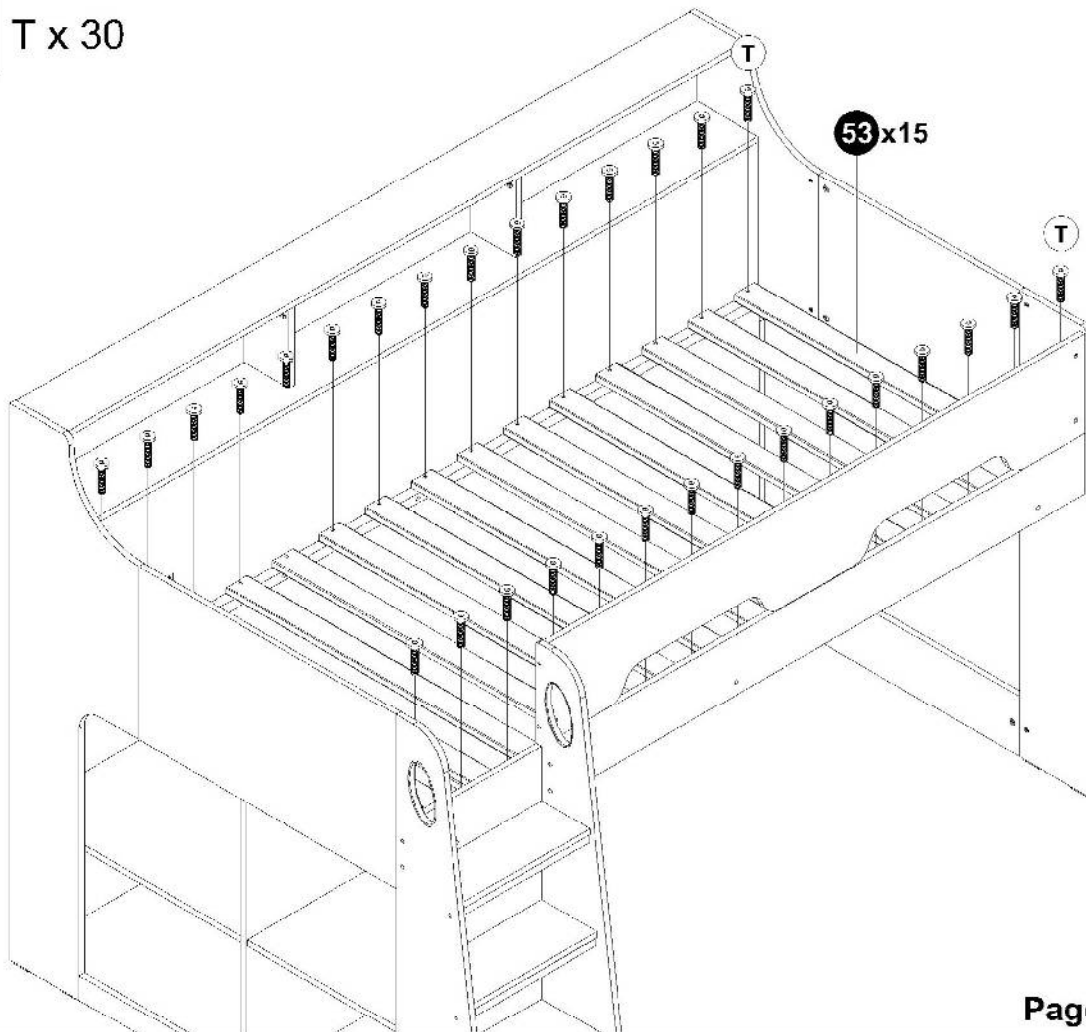
V x 3



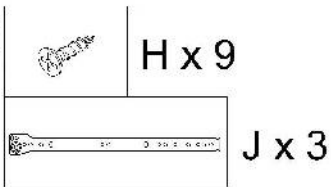
50



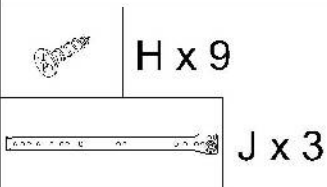
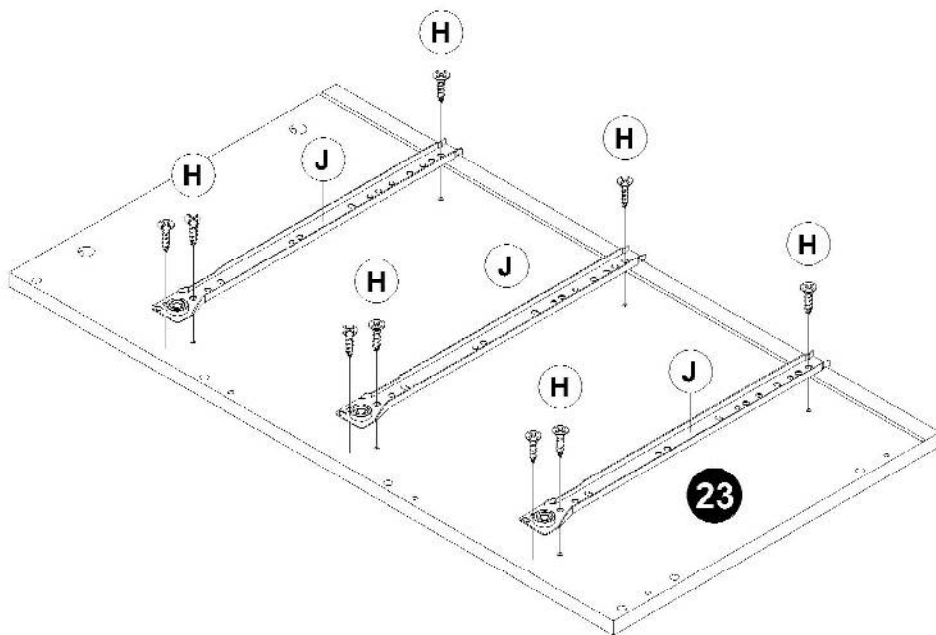
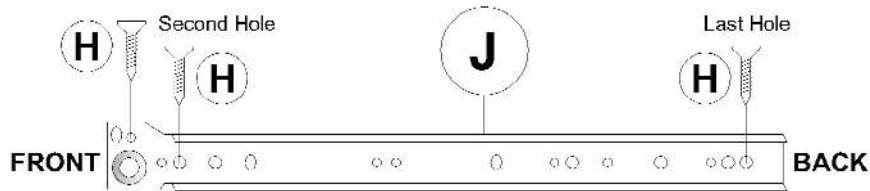
T x 30



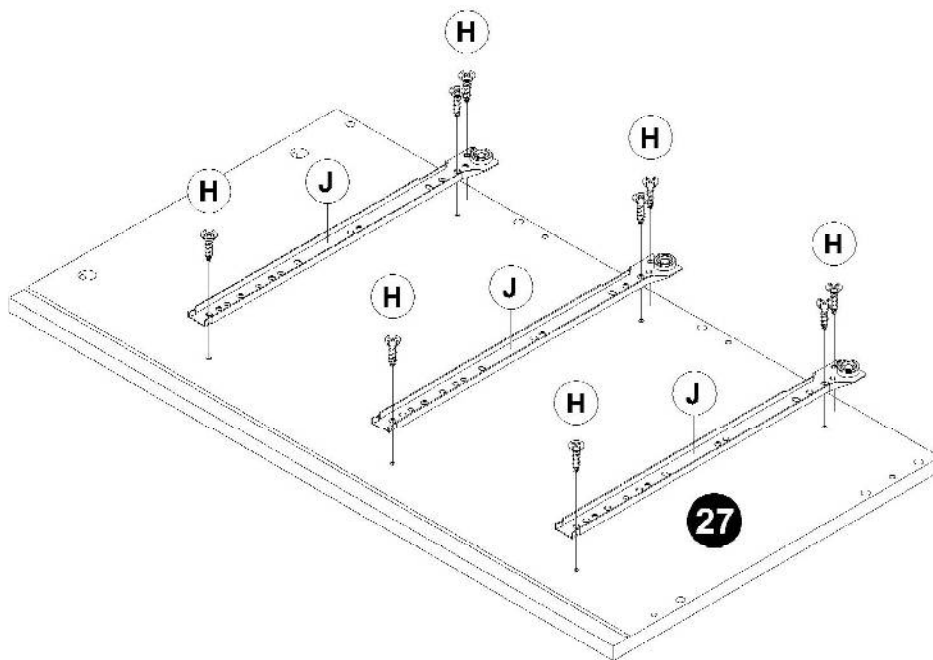
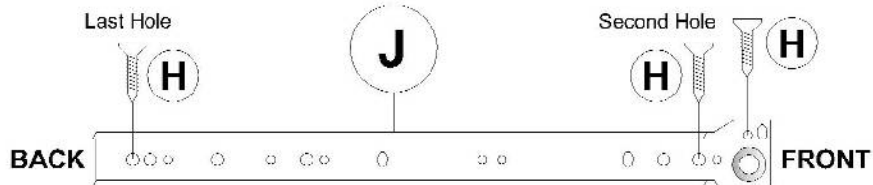
51



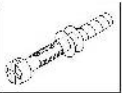
To Assembly the Drawer Slide, Please Follow Step as Below



To Assembly the Drawer Slide, Please Follow Step as Below



52



A x 13



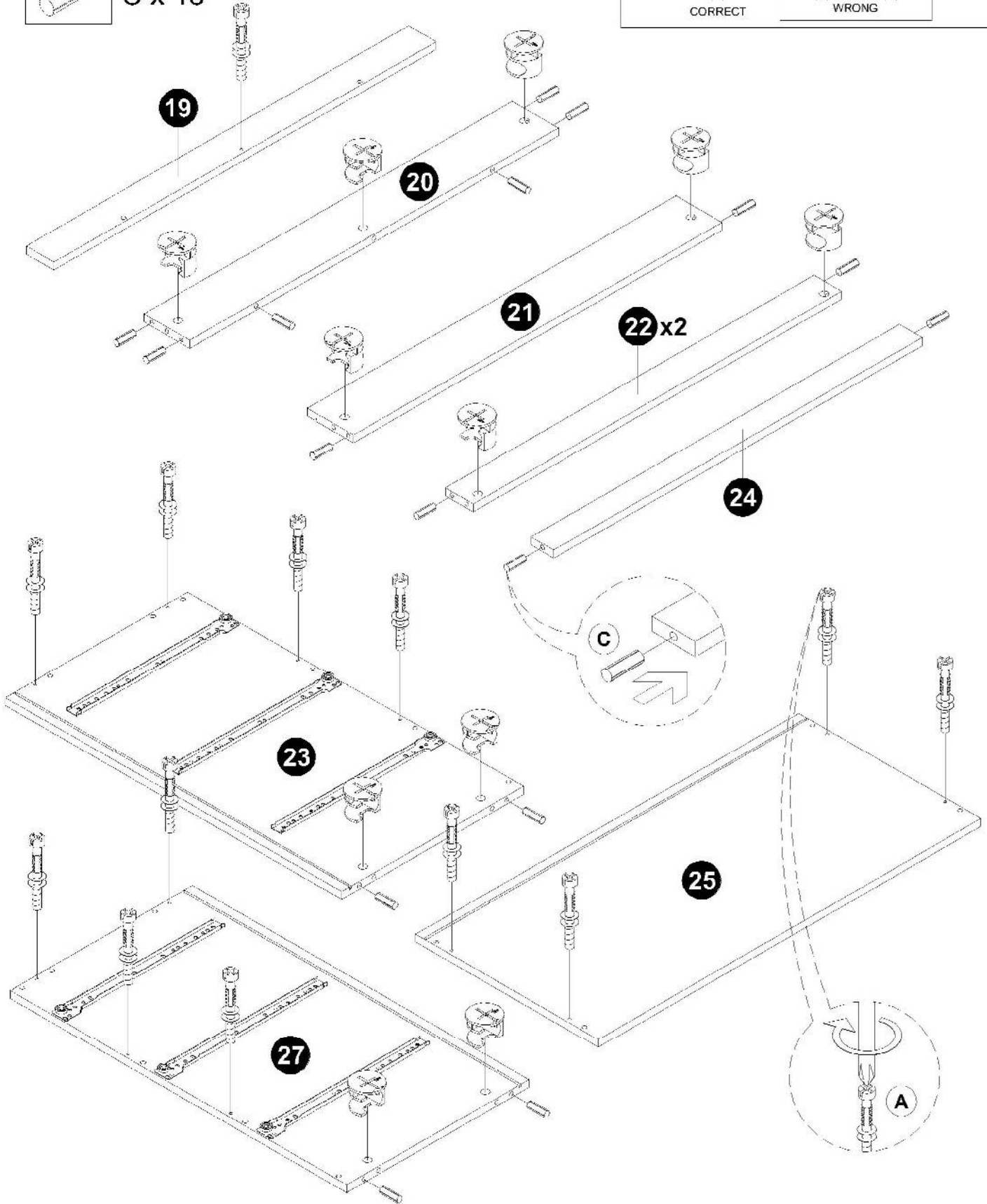
B x 13



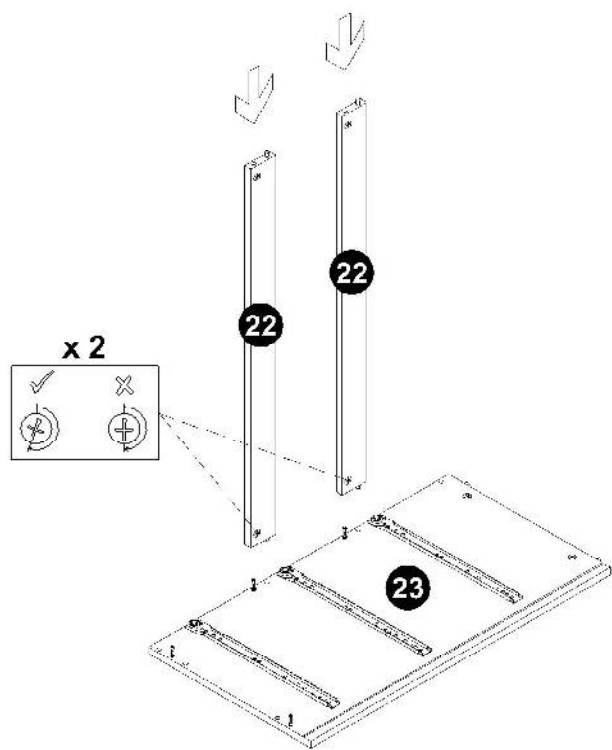
C x 18

WHEN FITTING CAMS
ENSURE STARTING POSITION IS CORRECT
BEFORE YOU INSERT CONNECTING BOLT
TURN CLOCKWISE UNTIL SECURE

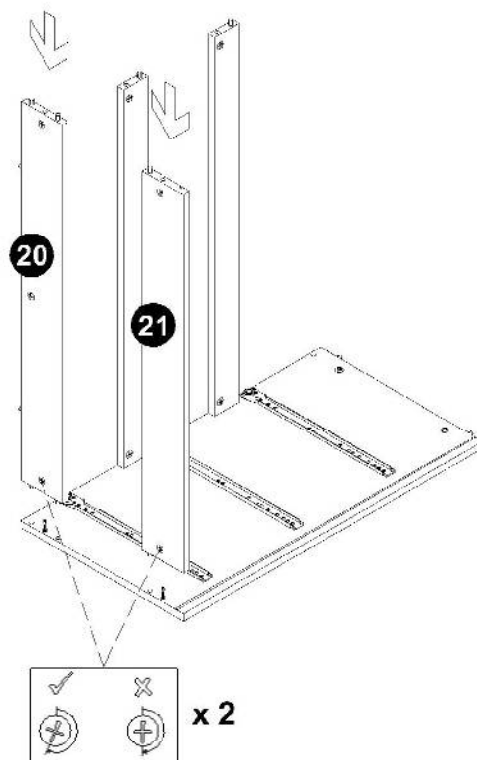
✓ ⊕ ⊗ ⊗ ✗
↑ ↑ ↑ ↑
CORRECT WRONG



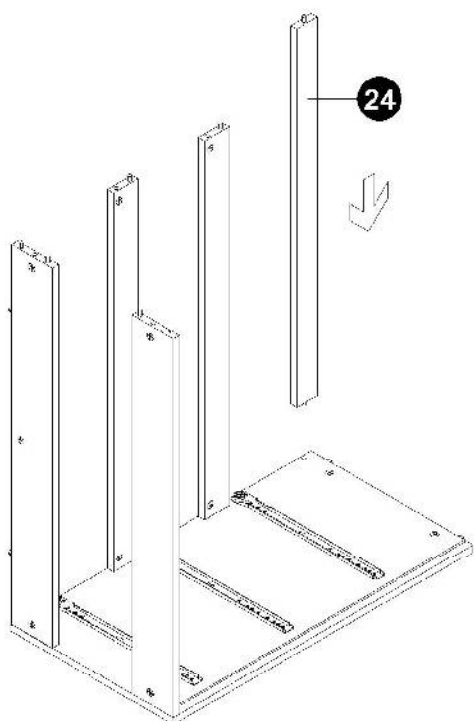
53



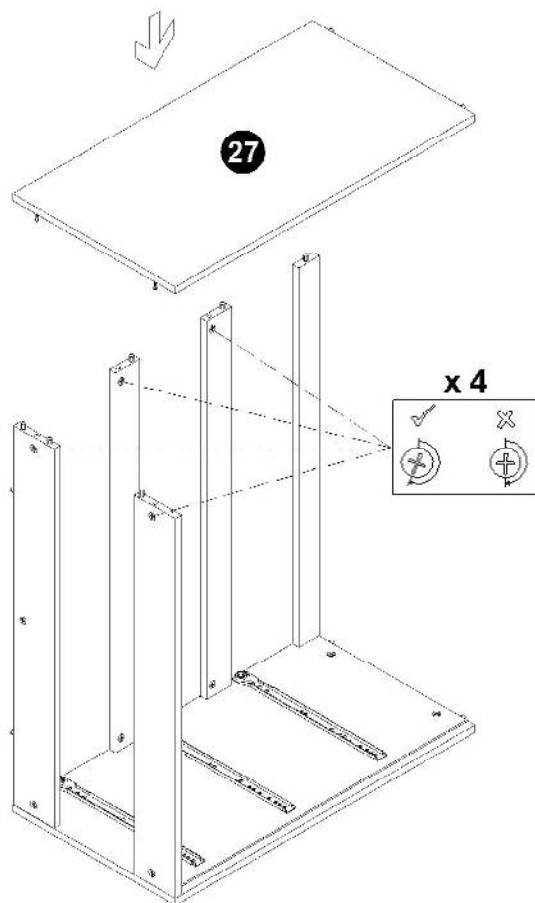
54



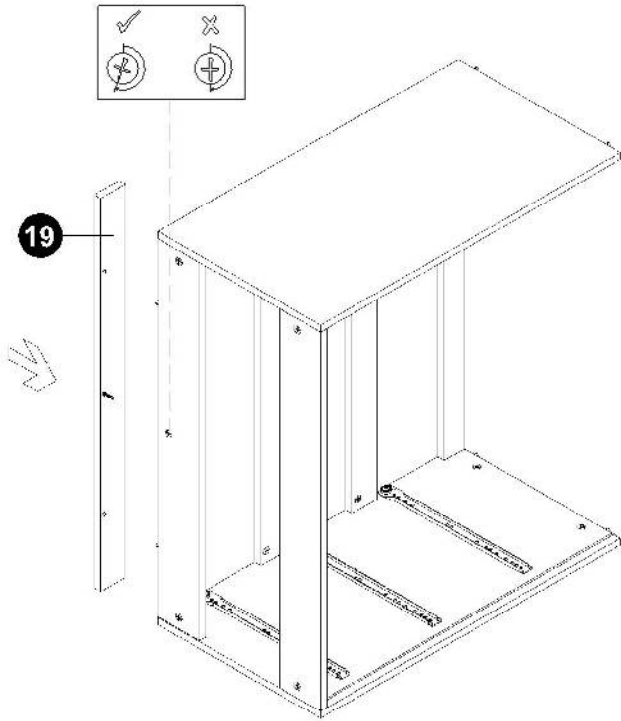
55



56

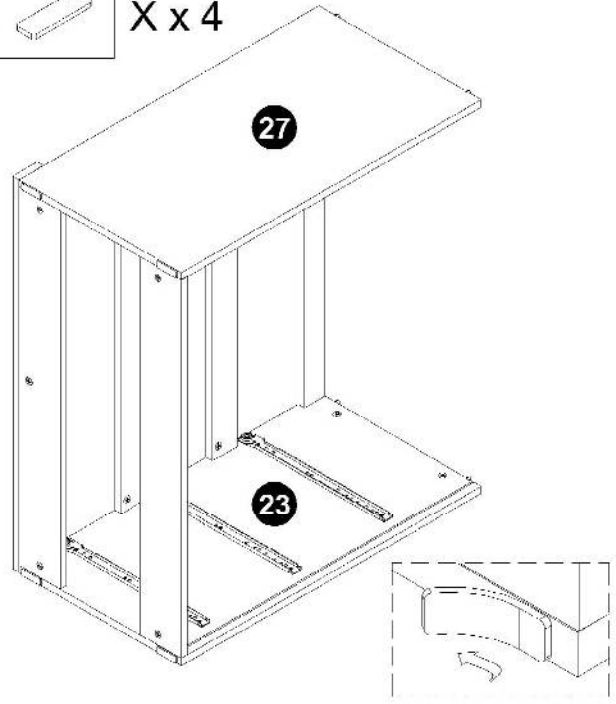


57

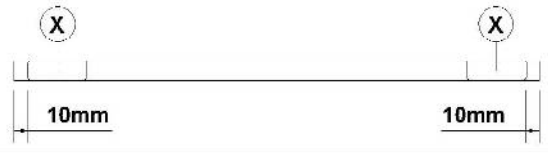


58

X x 4

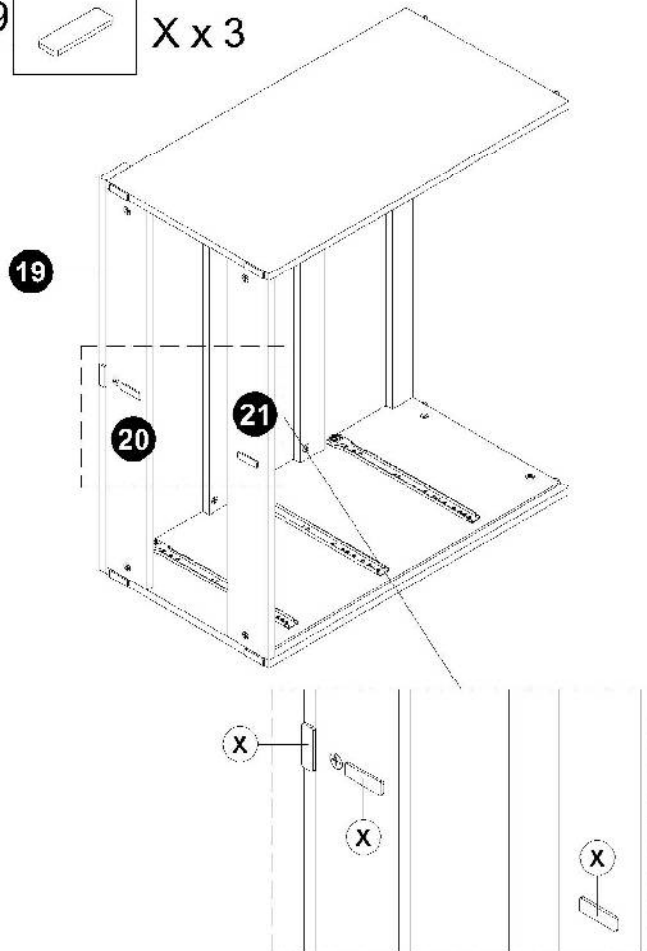


Part 23 , 27

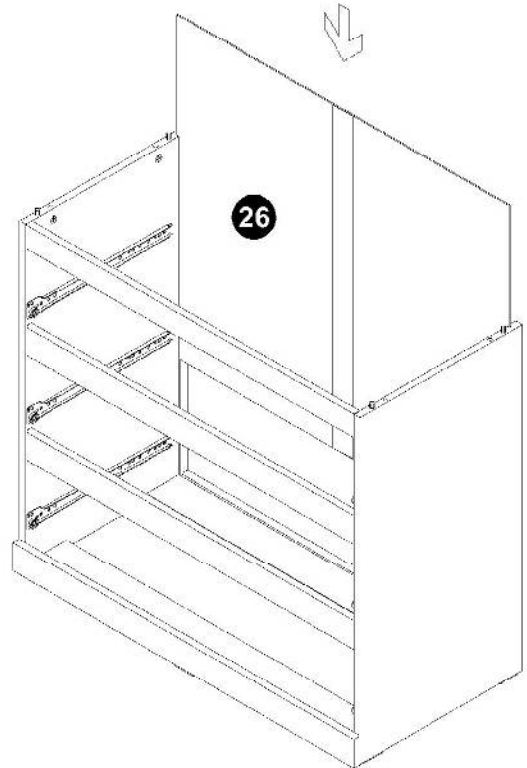


59

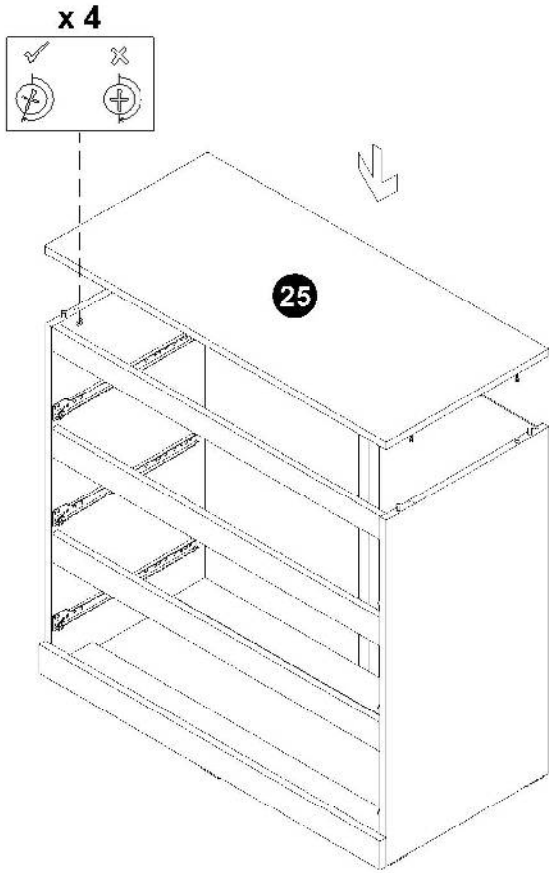
X x 3



60



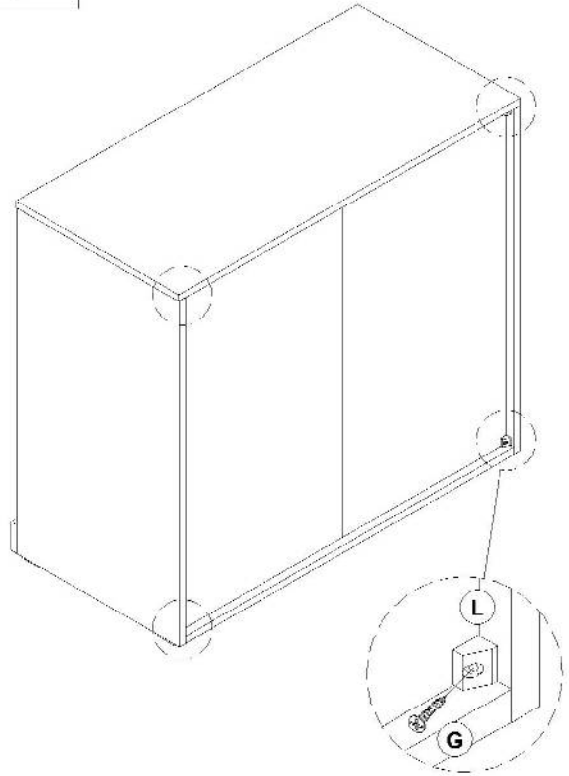
61



62

G x 4

L x 4

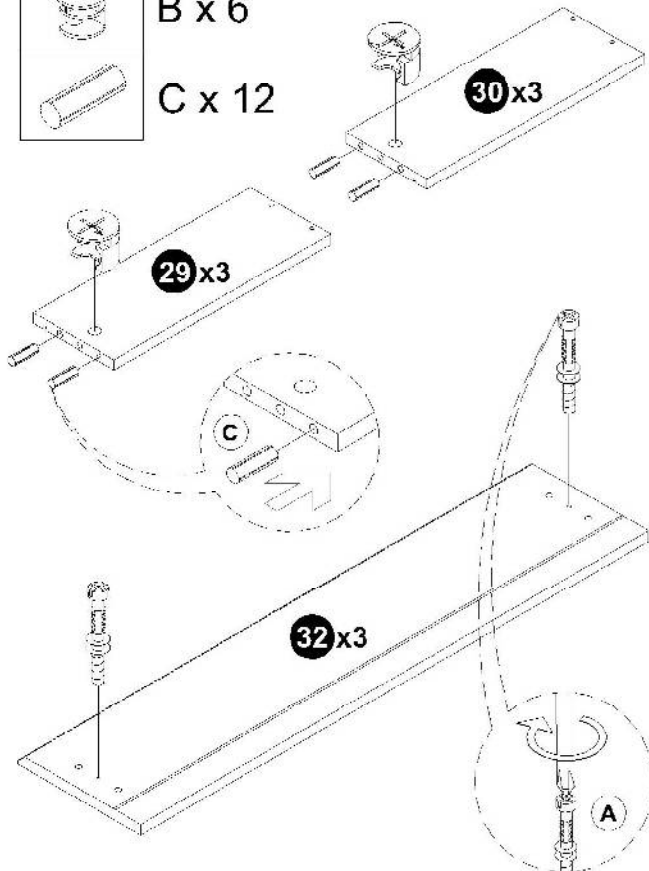


63

A x 6

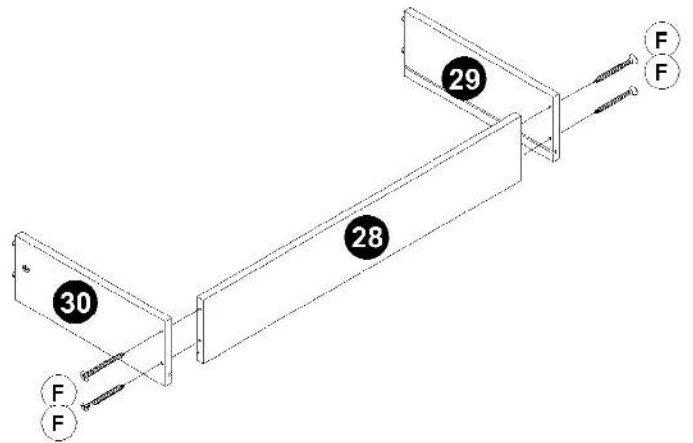
B x 6

C x 12



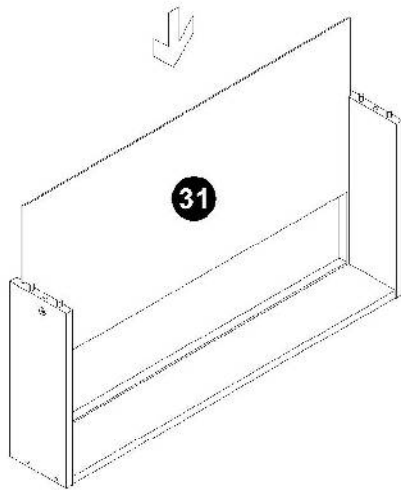
64

F x 12



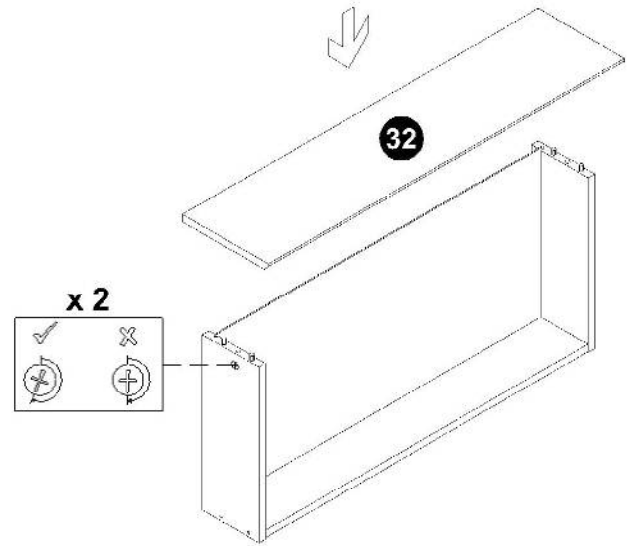
Do This Step 3 Times

65



Do This Step 3 Times

66



Do This Step 3 Times

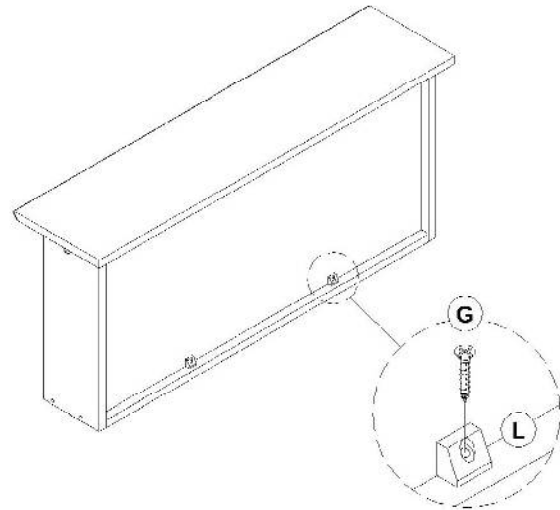
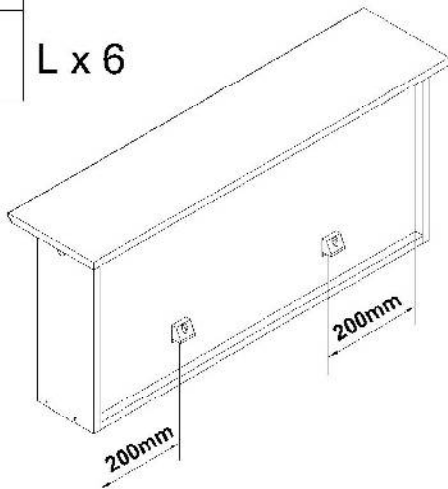
67



G x 6



L x 6



Do This Step 3 Times

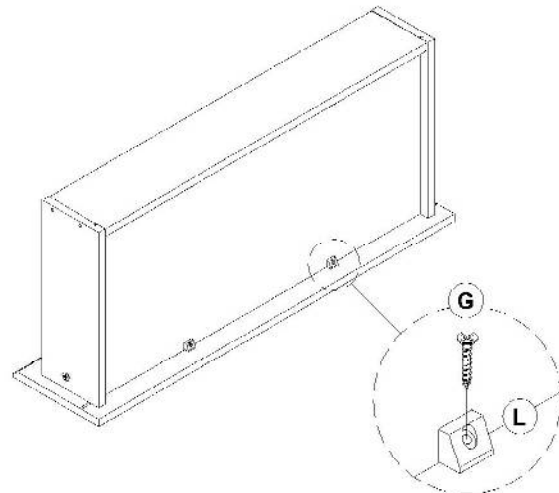
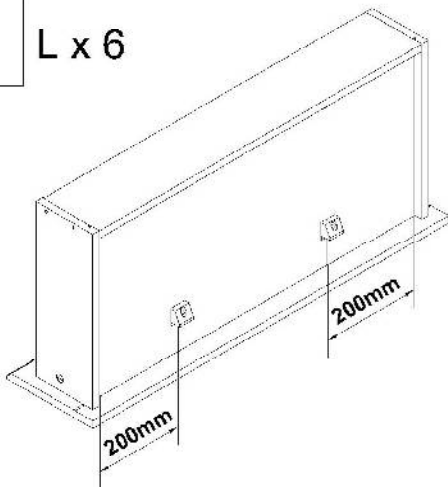
68



G x 6



L x 6



Do This Step 3 Times

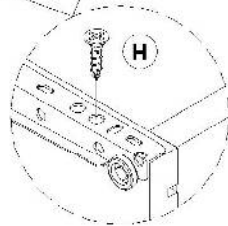
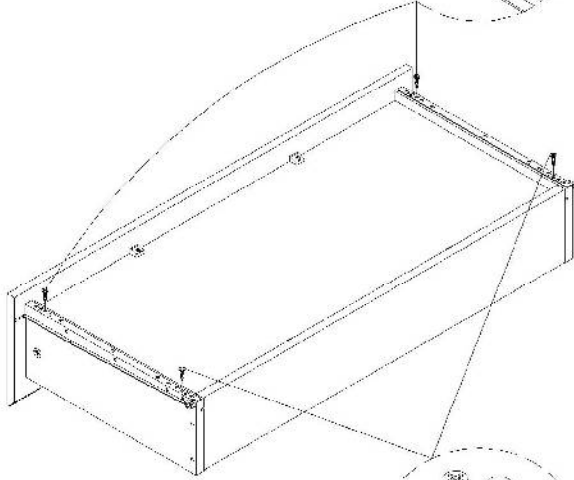
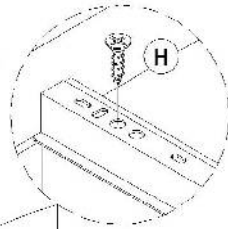
69



H x 12

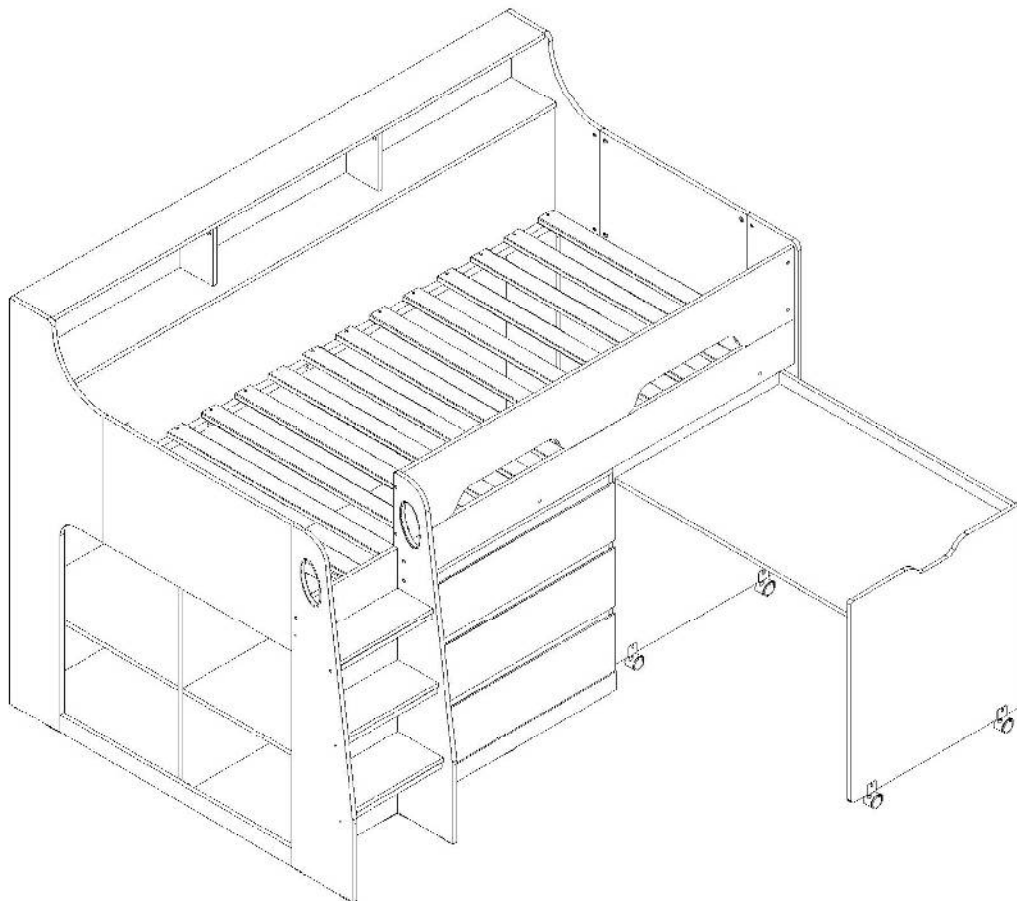
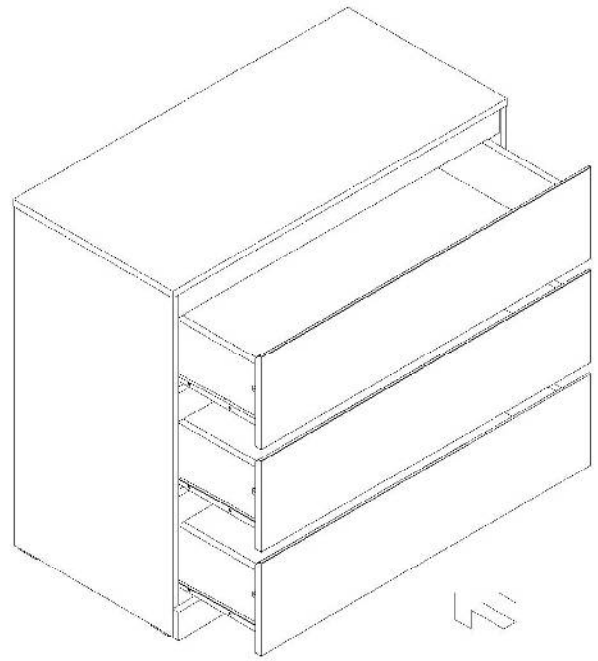


J x 3 sets



Do This Step 3 Times

70



General Care

Wipe clean with a slightly damp soft cloth.

Avoid the use of all household cleaners and abrasives.

When moving your furniture, carefully lift into place. Never drag or push the pieces across the floor as this will cause damage to the joints and could result in failure to the product that will invalidate the warranty.

Recommendations

Periodical re-tightening of fixings.

Warning

This unit is heavy. Please use an assistant when lifting.

Notes

We've tried to make this piece of furniture as easy to assemble as possible. In the unlikely event that you have problems putting it together or have damaged or missing pieces, please contact our customer services on 01623 727374