

# Julian Bowen Limited

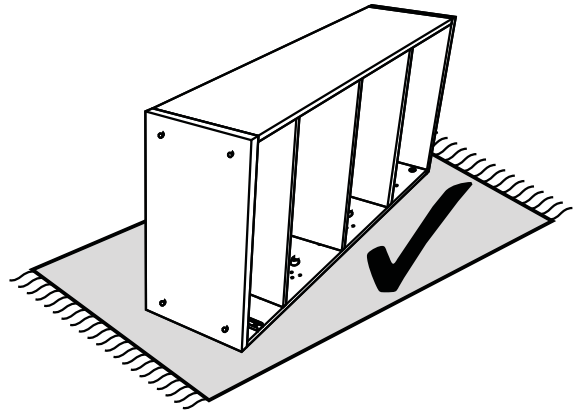
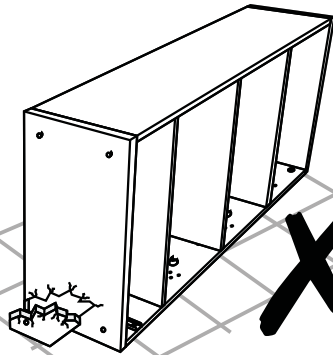
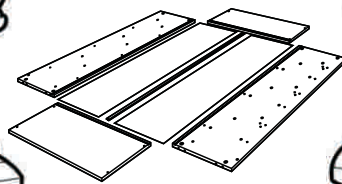
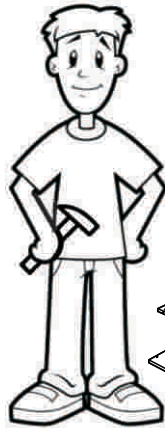
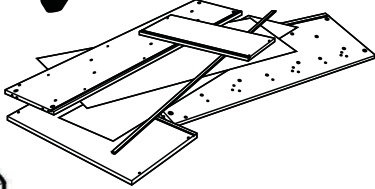
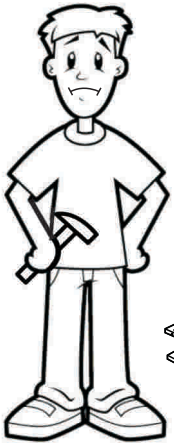
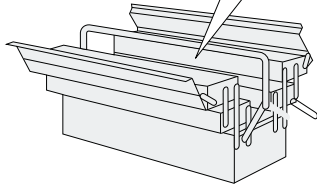
## Corsica Bed 90 cm

### Assembly Instructions



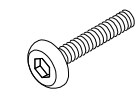


No Extra  
Tools Required



Julian Bowen Limited  
(01623 727374)

# HARDWARE



**A**

Bolt  
M6 x 25 mm  
x 6



**B**

JCN nut  
M6 x 15 mm  
x 6



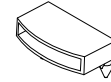
**C**

Washer Φ23.3mm  
x 8



**D**

Washer Φ16mm  
x 8



**E**

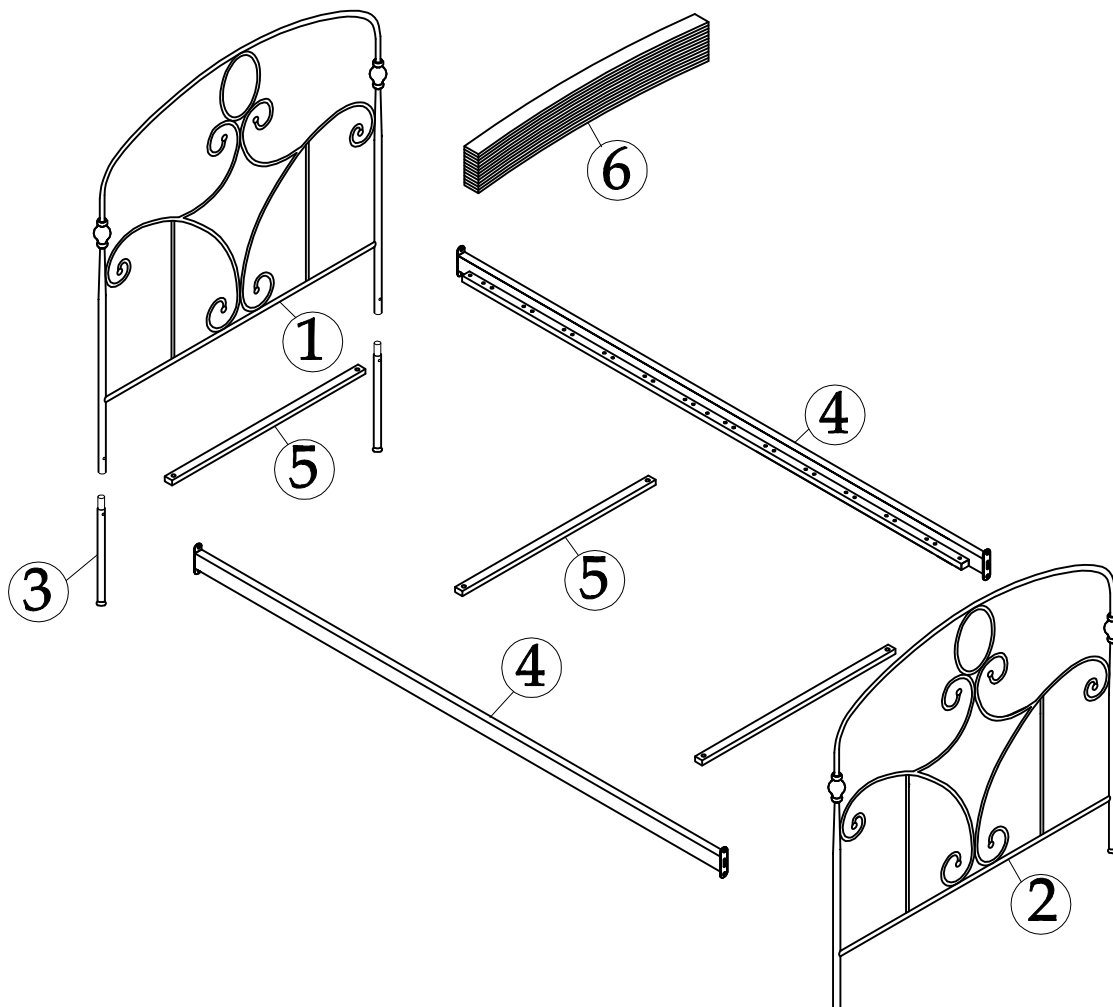
Side Stopper  
53 mm  
x 24



**F**

Allen Key  
4 mm  
x 2

# PARTS



# **Safety Advice**

**Please take the time to carefully read through the whole of these instructions before commence.**

**Keep these instructions for future reference.**

**Unpack, inspect and check off all the contents.**

**Please dispose of all packaging safely.**

**Small component parts could choke a child if swallowed.**

**We strongly recommend that keep children well away from the work area.**

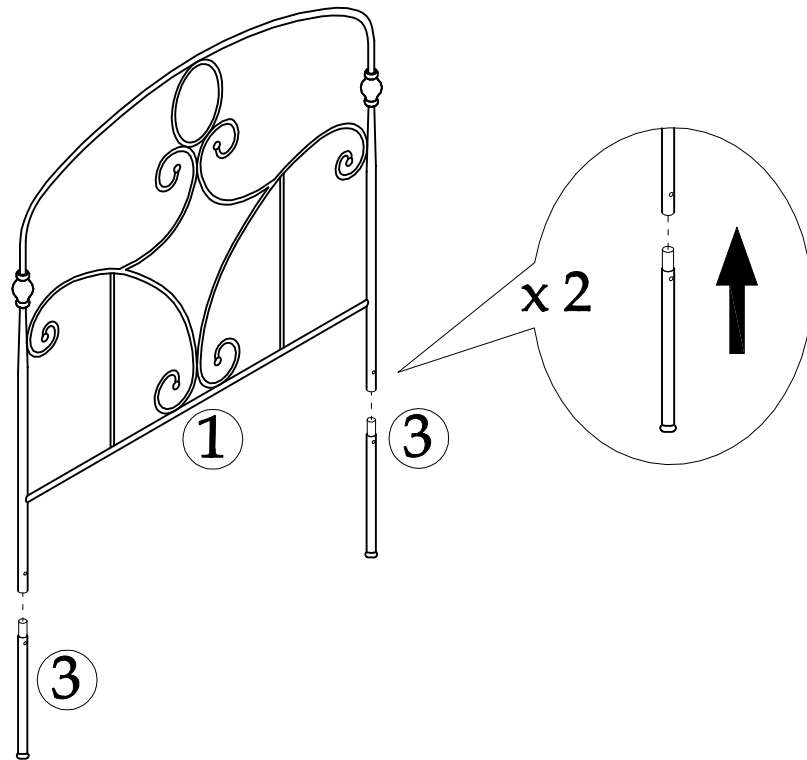
**It would be sensible to lay a sheet or blanket on the floor where you intend to work to avoid scratching this product and to protect your floor.**

**This product is heavy. Take extreme care when lifting to avoid personal injury or damage to the product.**

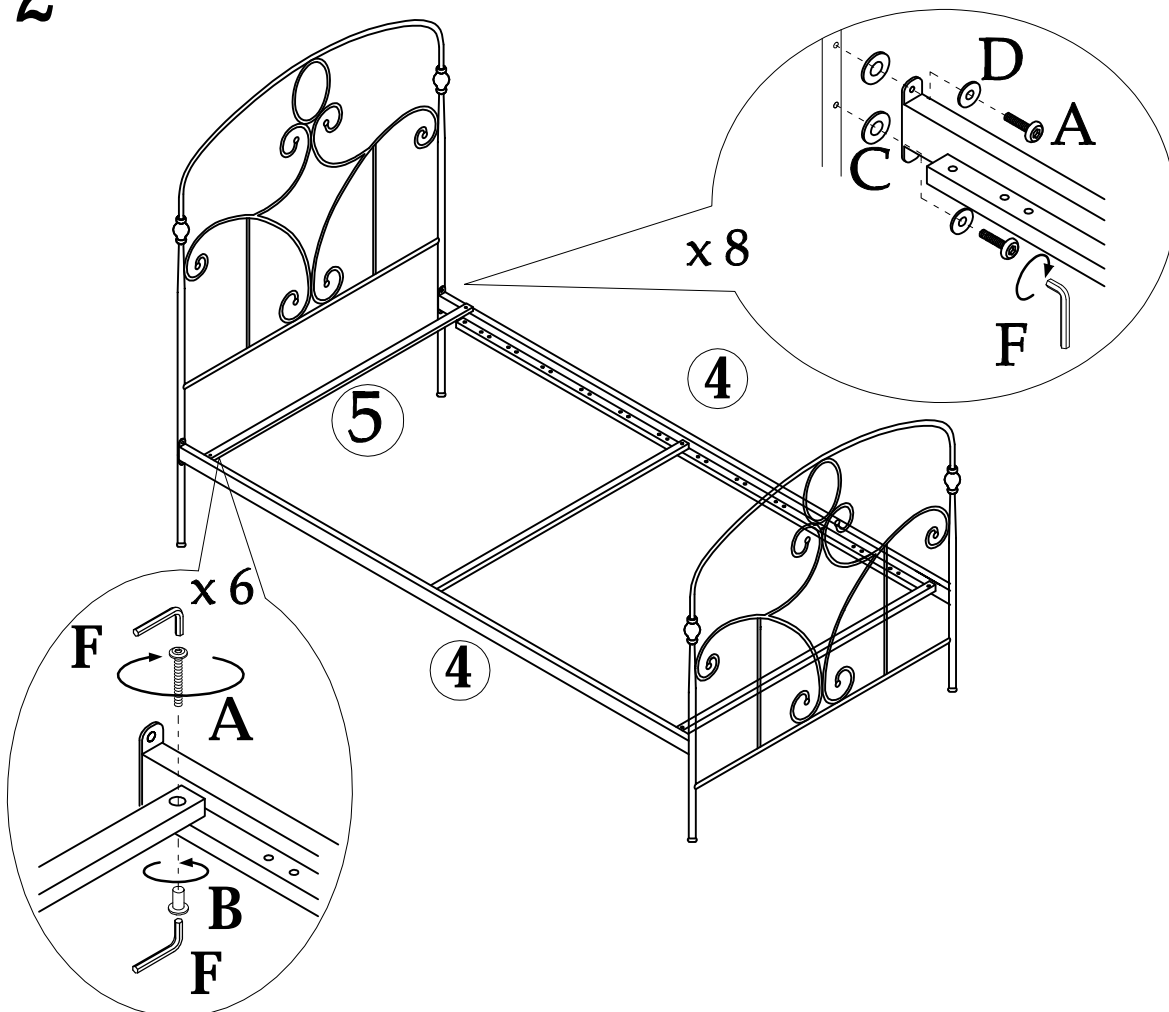
**Assemble the product as close to its intended final position in the room as possible.**

**HANDY HINT: If you keep the hardware in a bowl during assembly you will be less likely to lose them.**

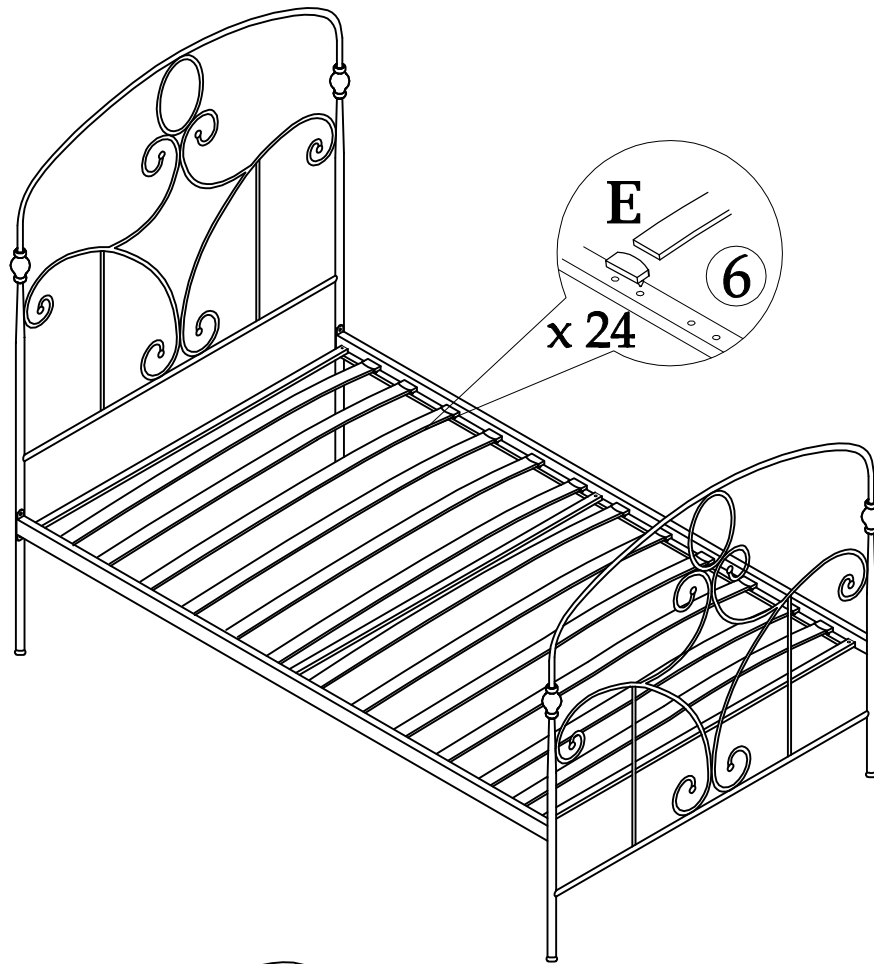
1



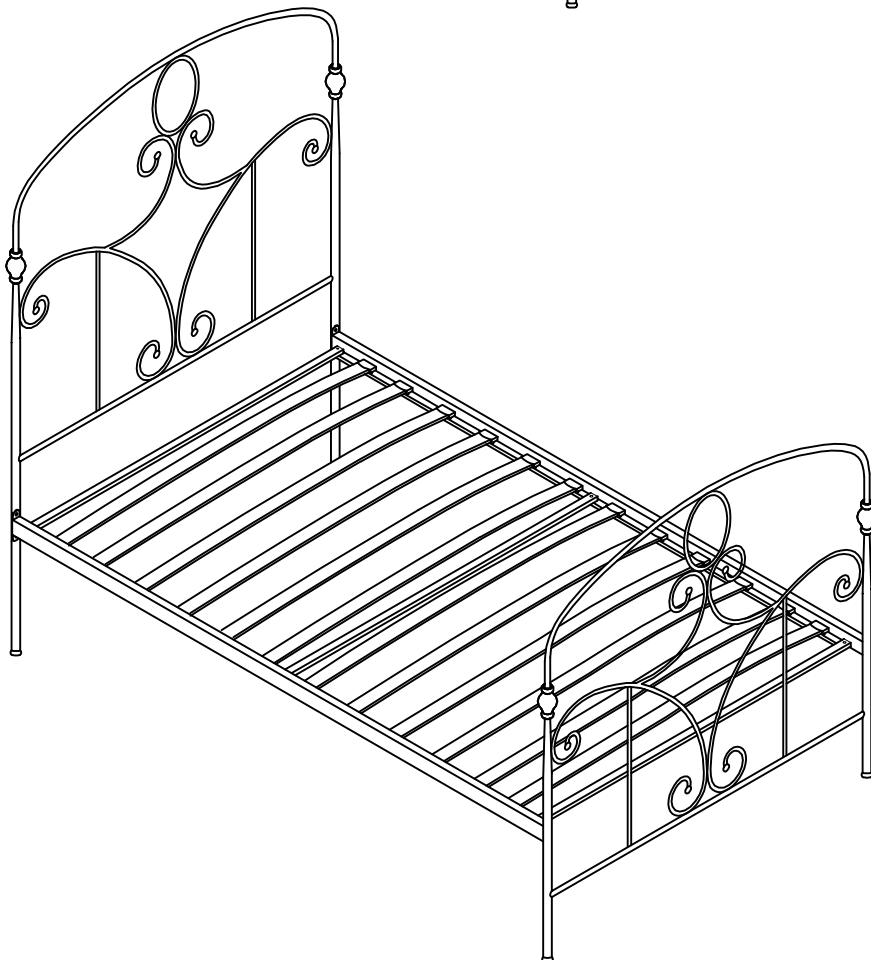
2



**3**



**4**



# **General Care**

**Wipe clean with a slightly damp soft cloth.**

**Avoid the use of all household cleaners and abrasives.**

**When moving your furniture, carefully lift into place.**

**Never drag or push the pieces across the floor as this will cause damage to the joints and could result in failure to the product that will invalidate the warranty.**

# **Recommendations**

**Periodical re-tightening of fixings.**

# **Warning**

**This unit is heavy. Please use an assistant when lifting.**

# **Notes**

**We've tried to make this piece of furniture as easy to assemble as possible.**

**In the unlikely event that you have problems putting it together or have damaged or missing pieces, please contact our customer services on 01623 727374**

**Julian Bowen Limited  
Bentinck House, Park Lane Business Park, Kirkby-in-Ashfield, NG17 9LE  
[www.julian-bowen.co.uk](http://www.julian-bowen.co.uk)**