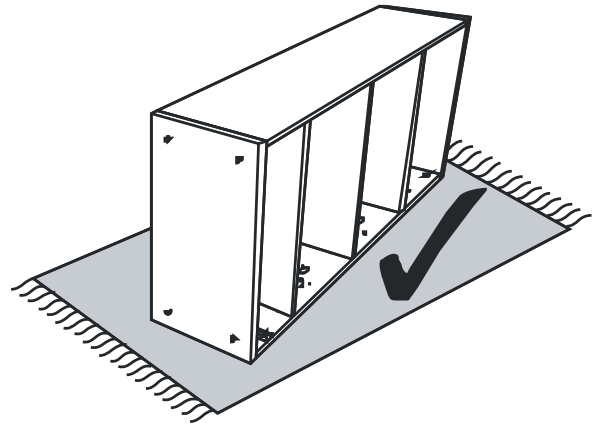
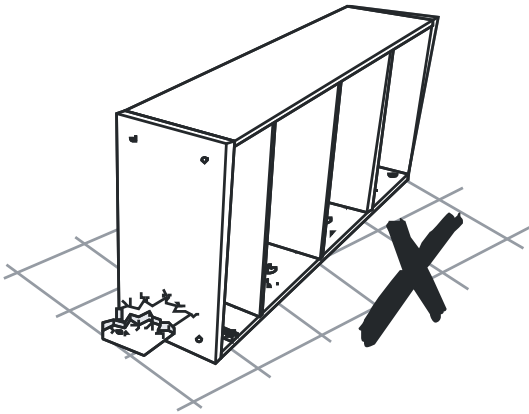
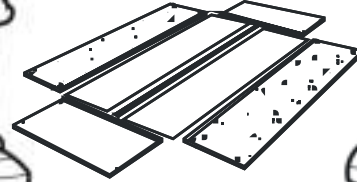
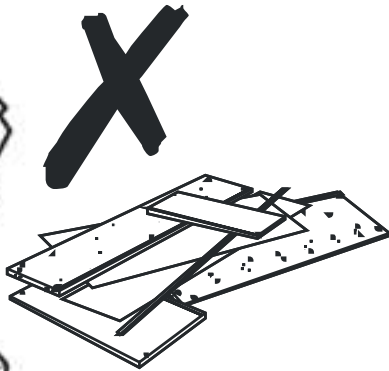
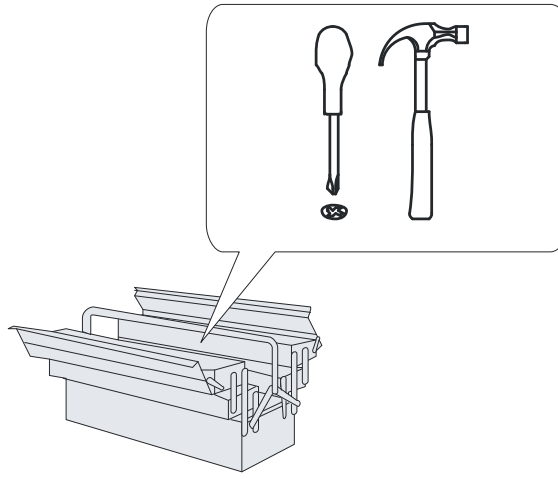


Julian Bowen Limited

Cameo Changing Station

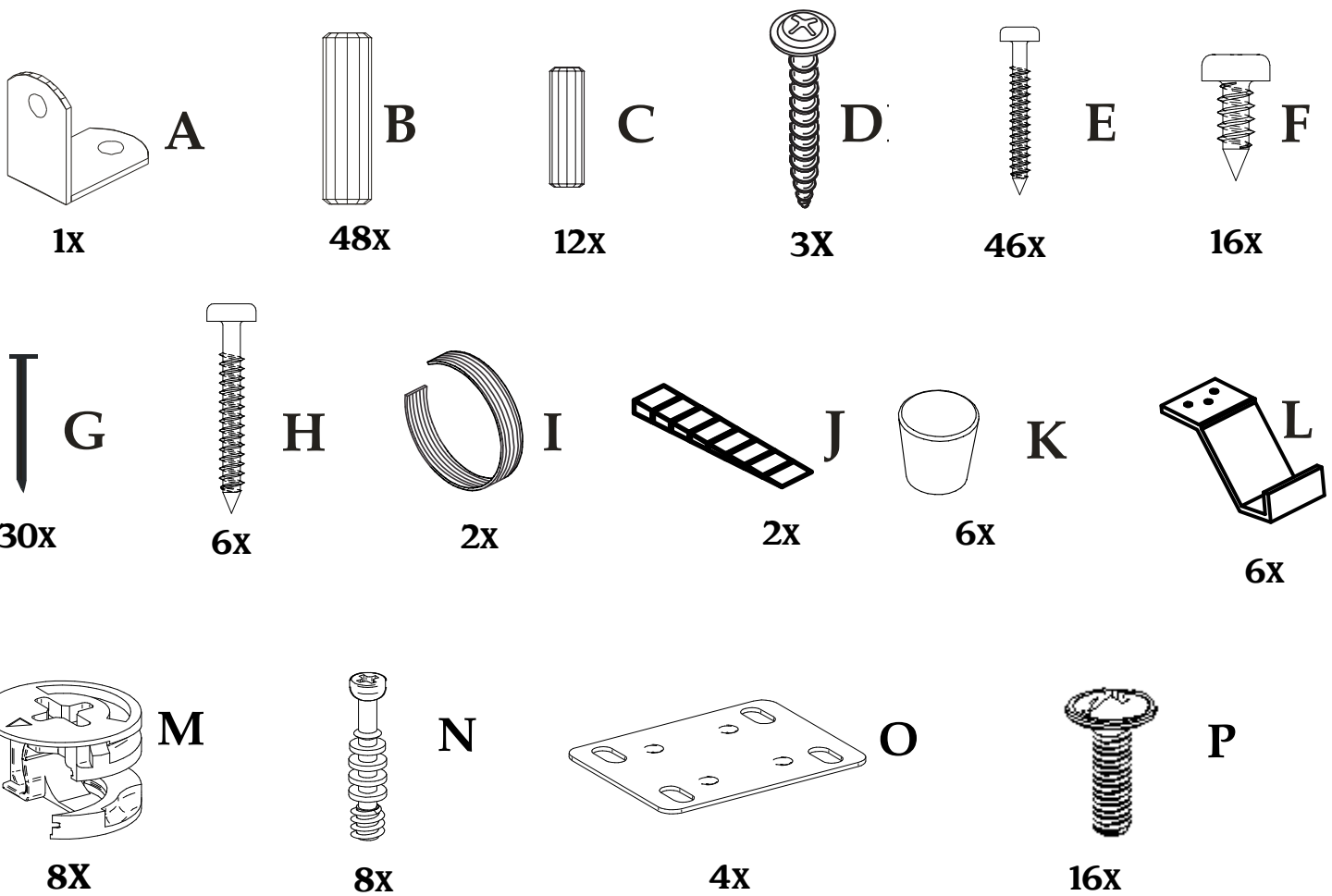
Assembly Instructions



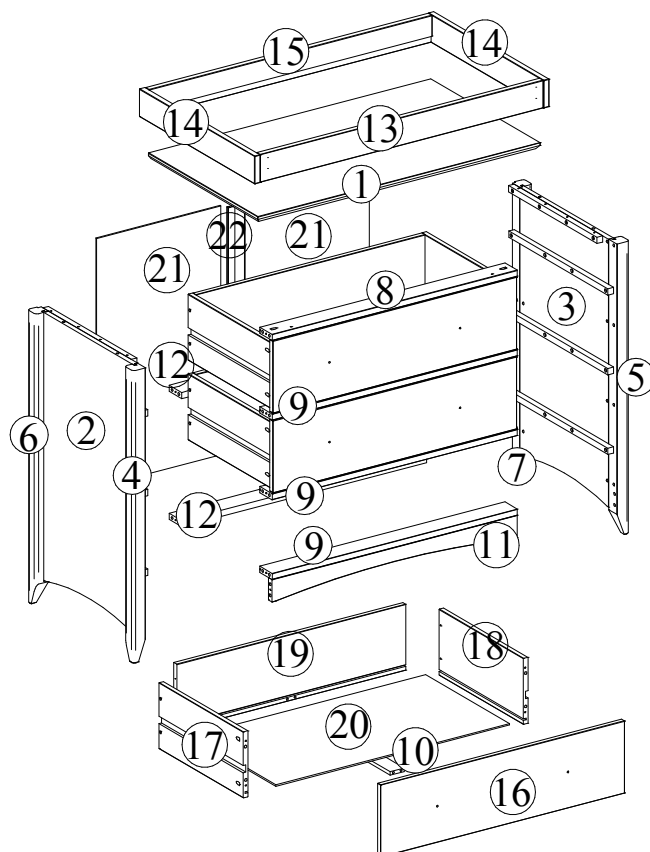


Julian Bowen Limited
(01623 727374)

HARDWARE



PARTS



Safety Information

IMPORTANT, RETAIN FOR FUTURE REFERENCE: READ CAREFULLY

WARNING! To prevent your furniture tipping and causing serious or fatal injuries, ensure this product is permanently fixed to the wall and the correct fitting type is used. The fitting included with this product is intended for securing the safety device to the product. If in doubt seek professional advice.

WARNING! Do not leave your child unattended.

WARNING! Do not move the changer with a child on it.

WARNING! Be aware of the risk of open fire and other sources of strong heat, such as electric bar fires, gas fires, etc, in the vicinity of the product.

WARNING! Do not use the product if any part is broken, damaged torn or missing, approved replacement parts can be obtained from Julian Bowen Limited.

An older child climbing on the changing unit while a child is on the changing surface is extremely dangerous and must be discouraged.

Keep away from trailing cords, drapes or flexes, and away from electric sockets.

All assembly fittings should be tightened properly, checked regularly and re-tightened as necessary.

The product must be used on a level and stable surface

When lockable castors / wheels are fitted, ensure they are locked when the changing unit is in use.

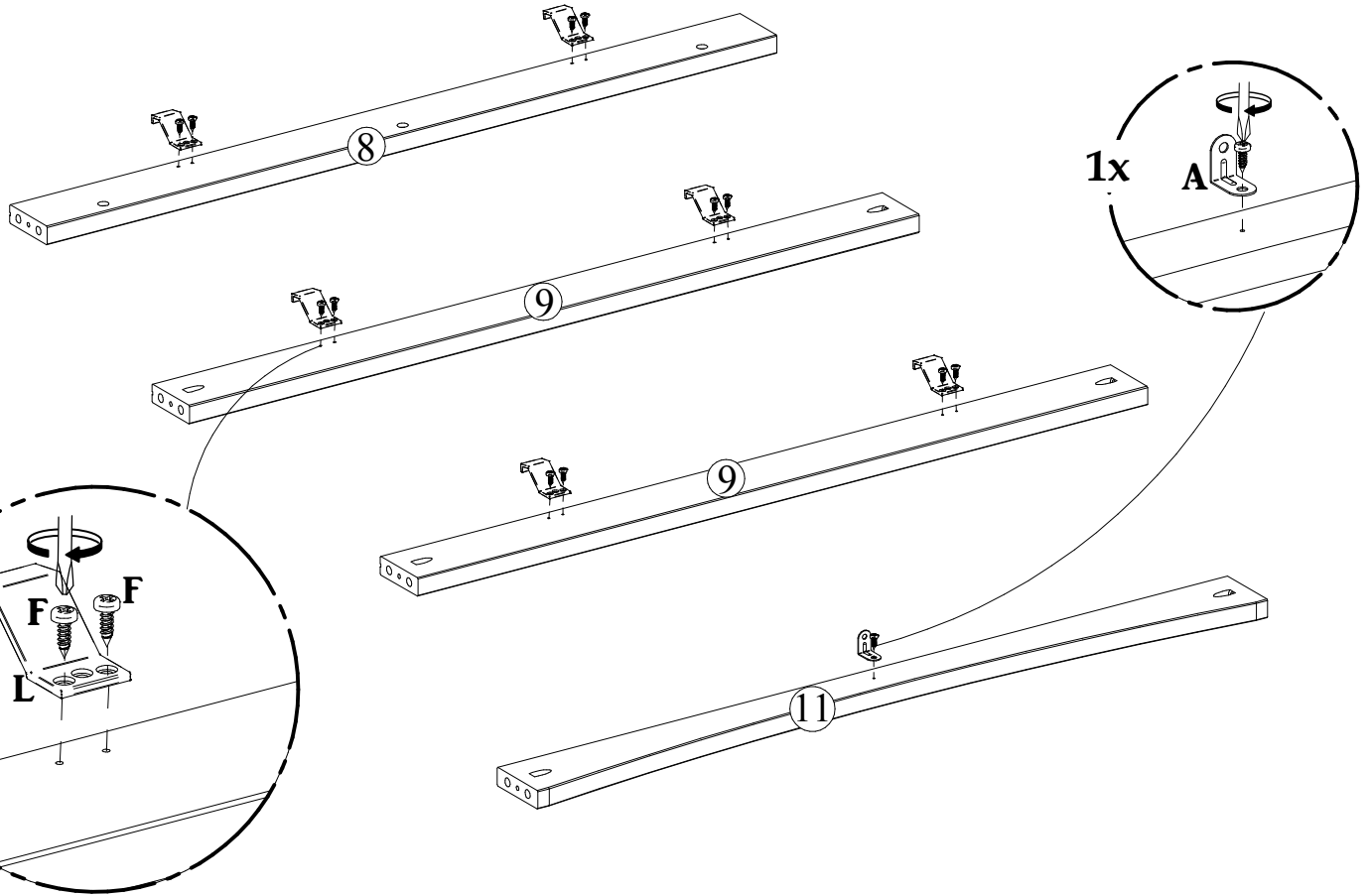
A changing mat should always be used. Recommended size is 75cm x 46cm approximately.

Once assembled do not dismantle.

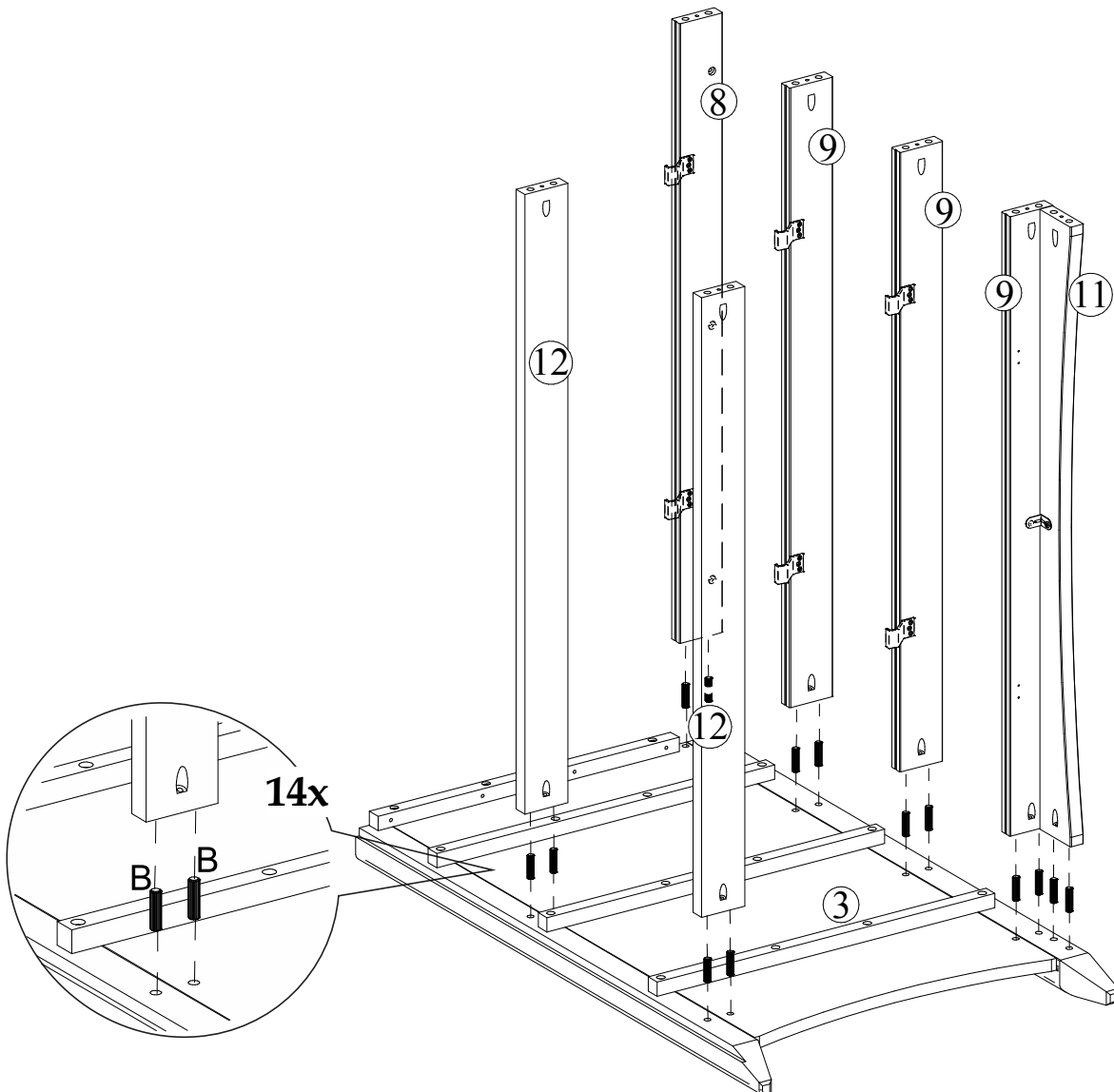
Suitable for a child up to 12 months or a maximum weight of 11 kg

This product conforms to BS EN 1221-1:2008 + A1:2013

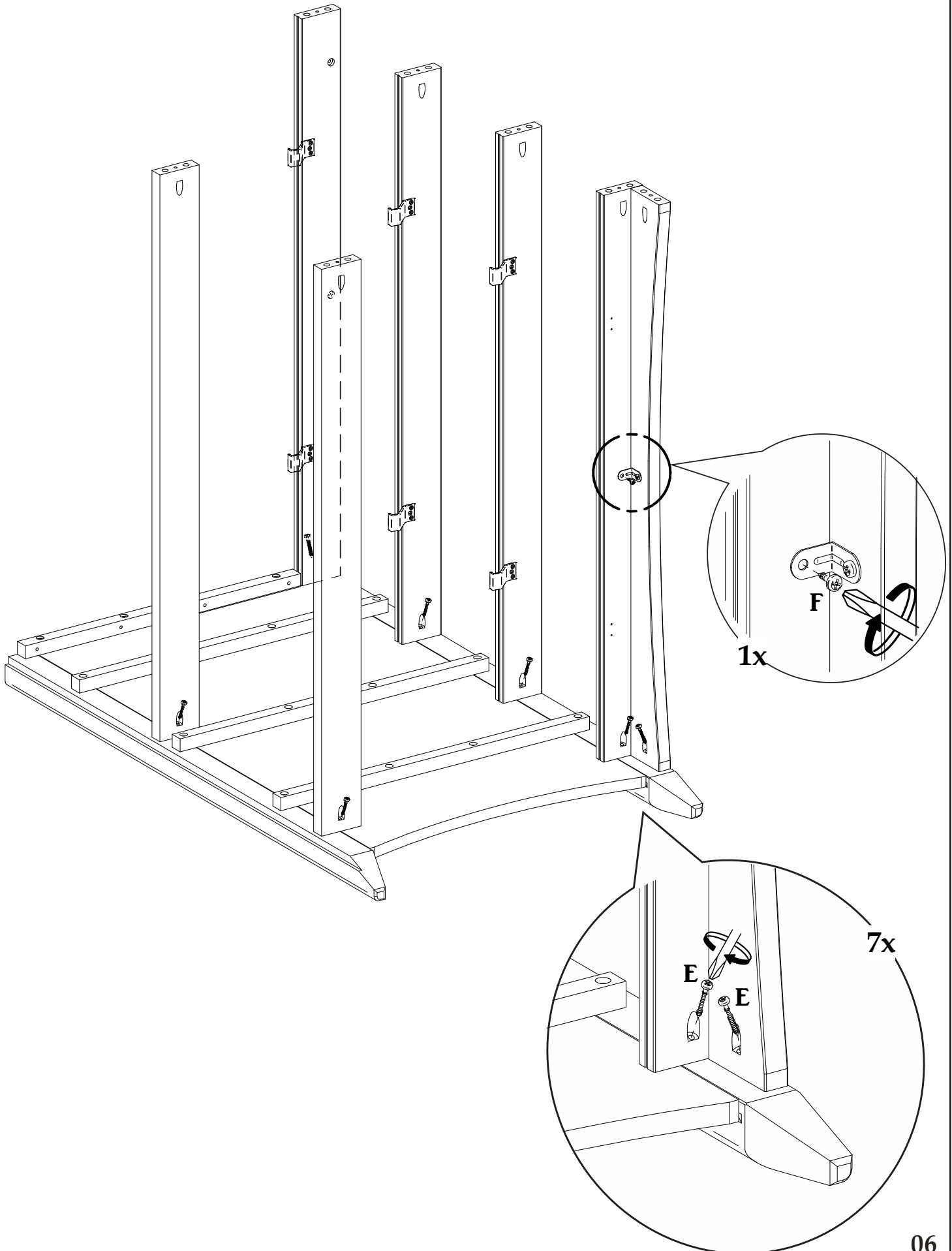
1



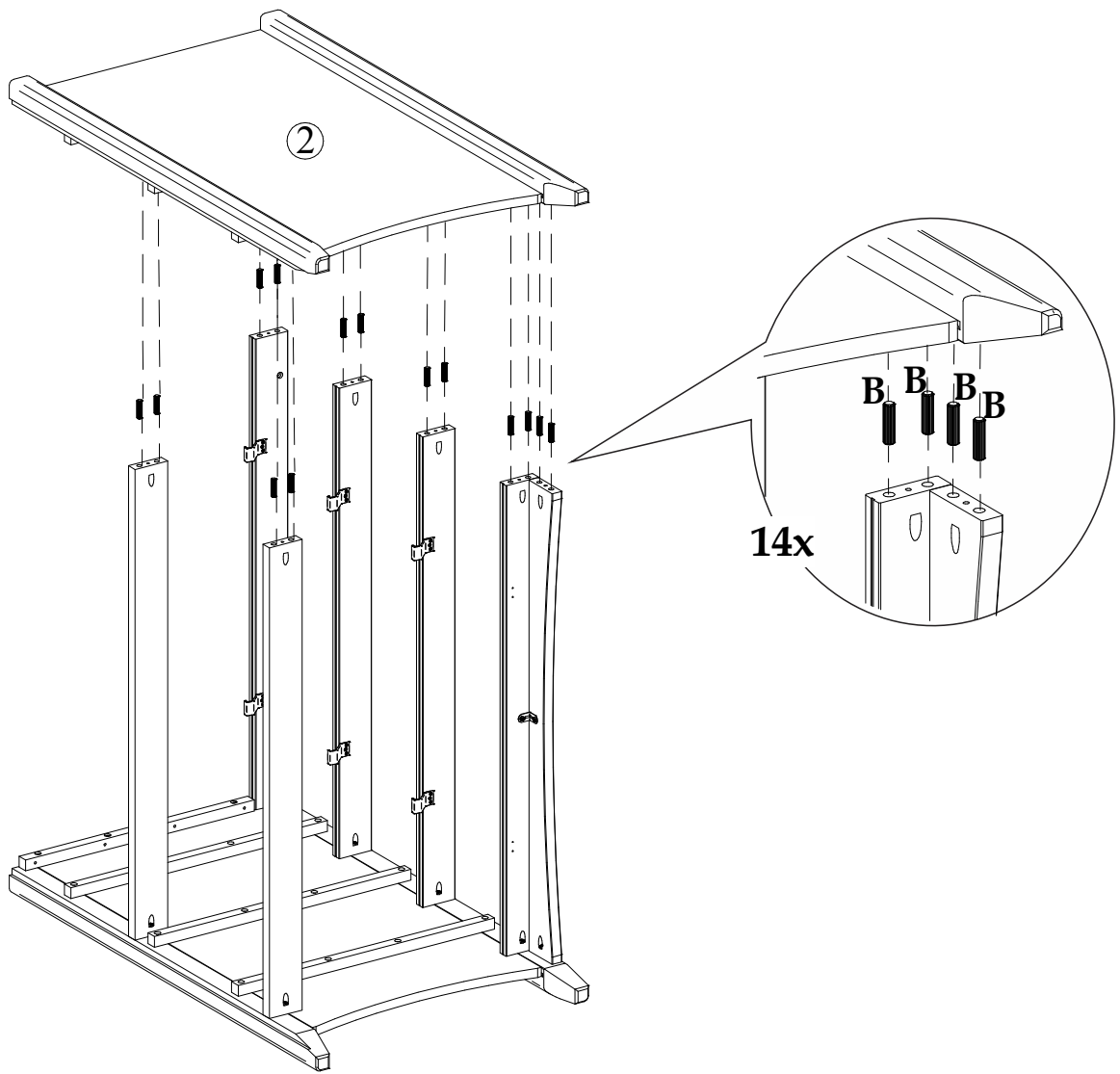
2



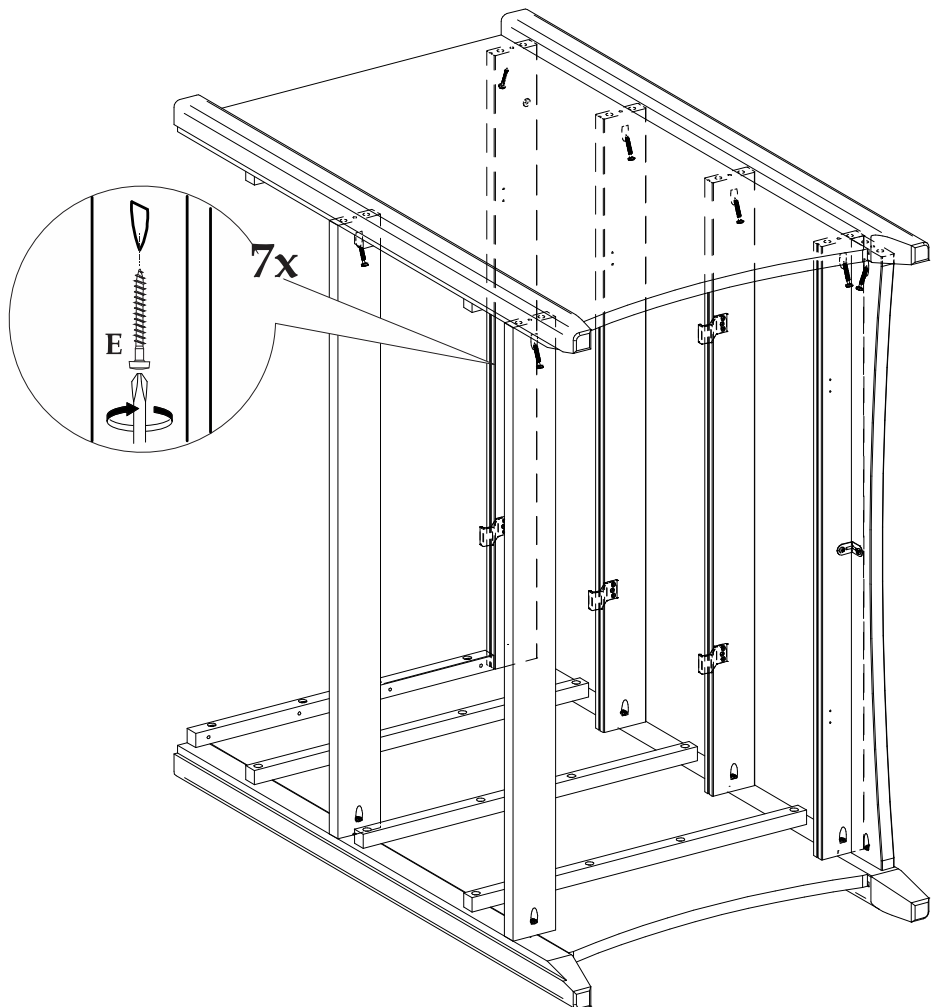
3



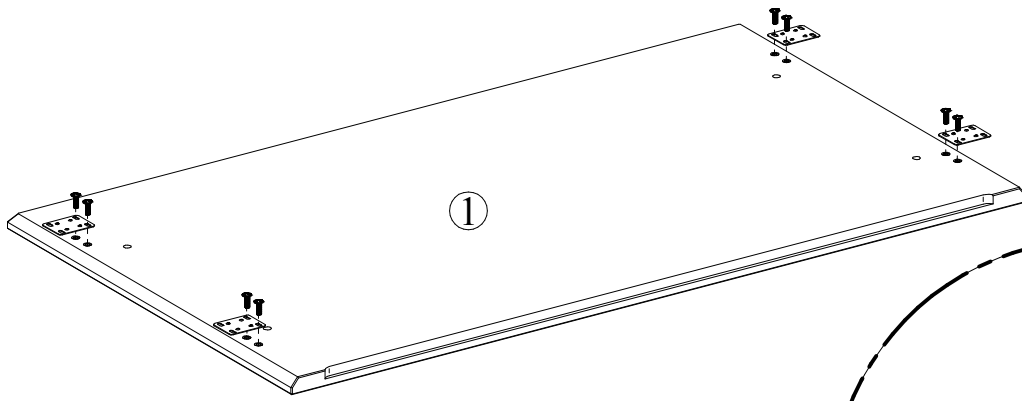
4



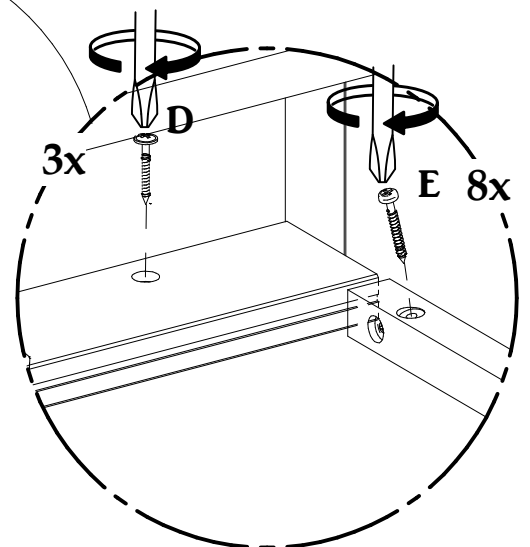
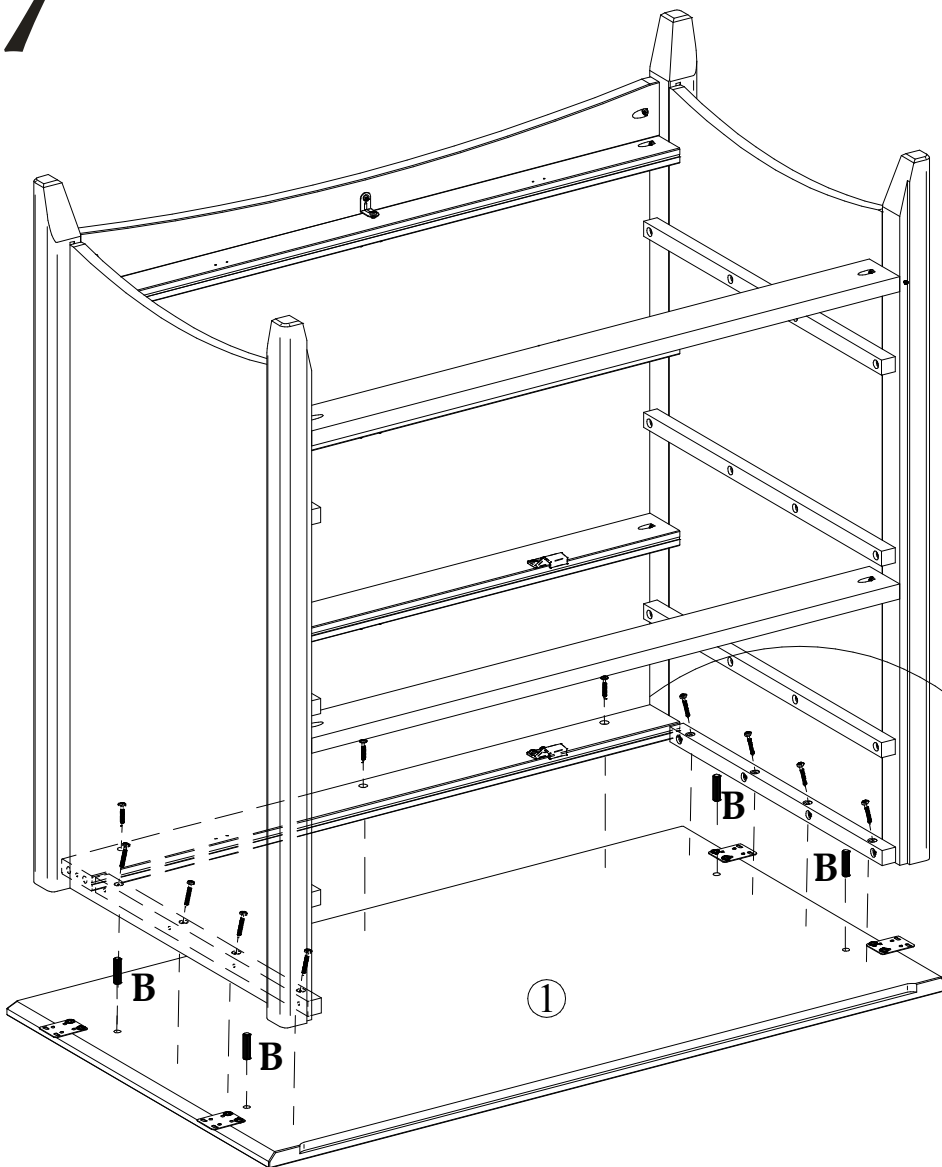
5



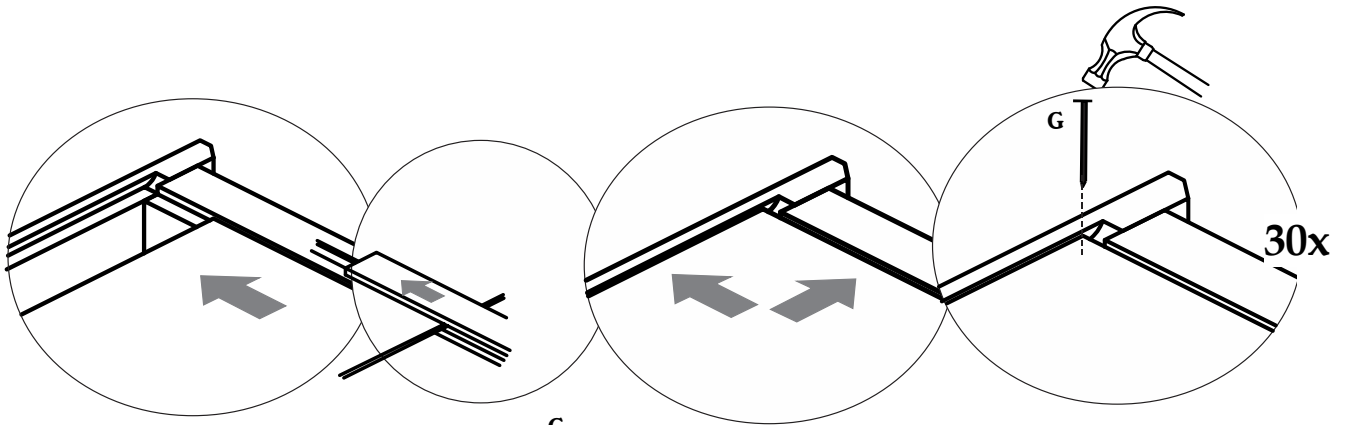
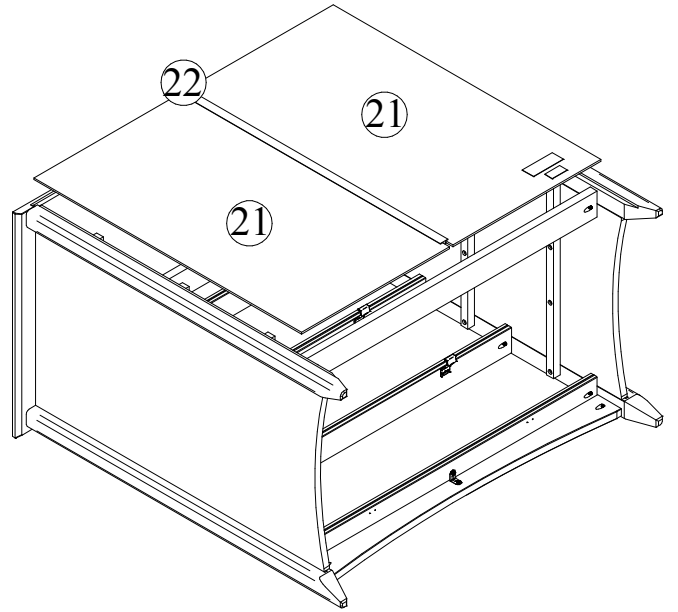
6



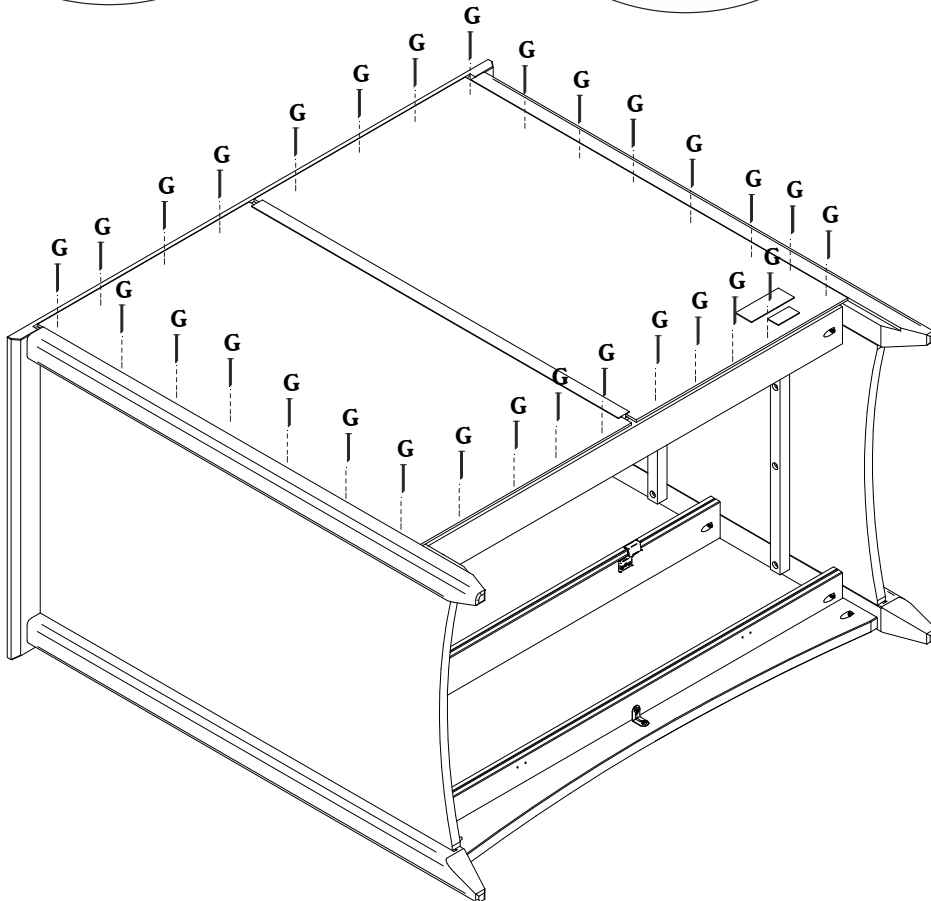
7

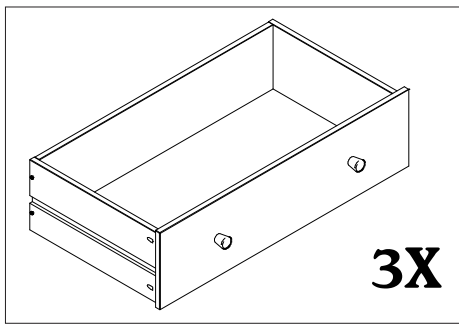


8

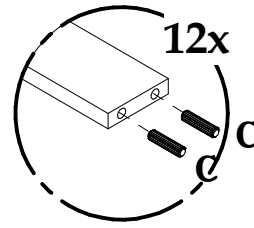


9

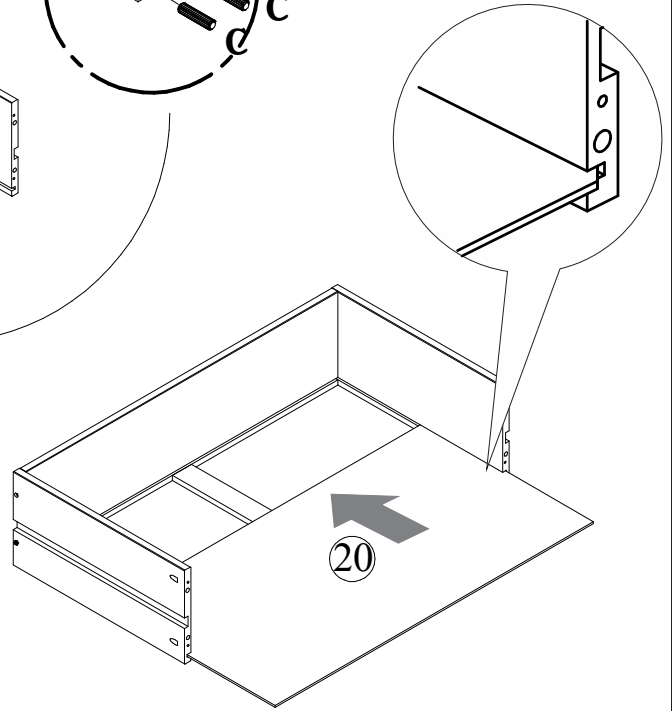
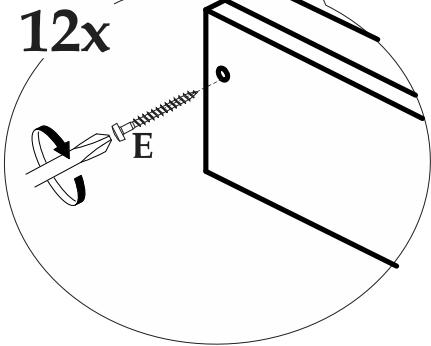
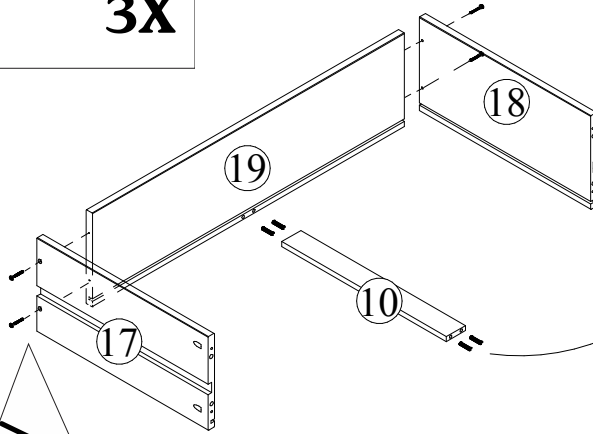




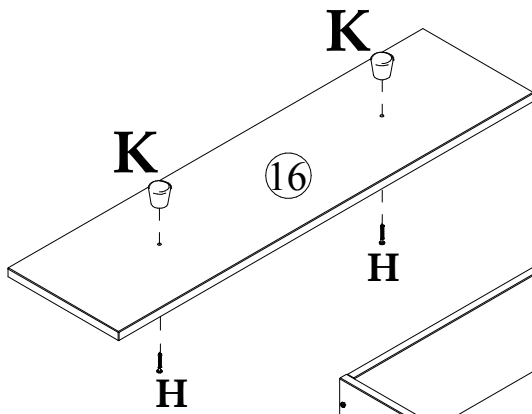
10



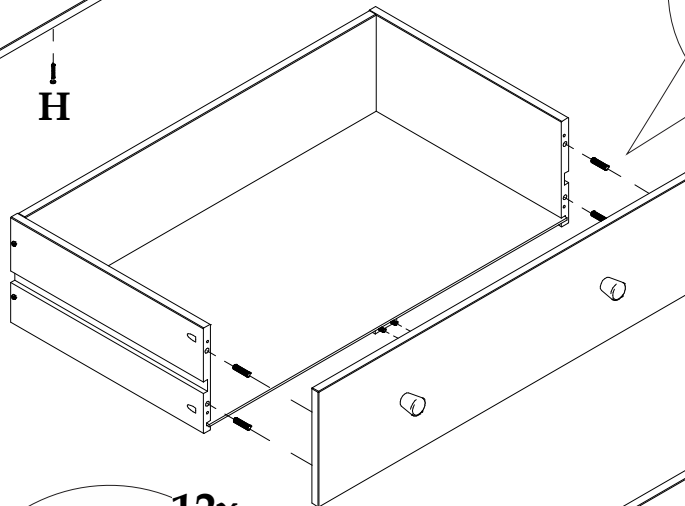
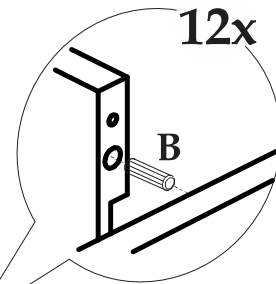
11



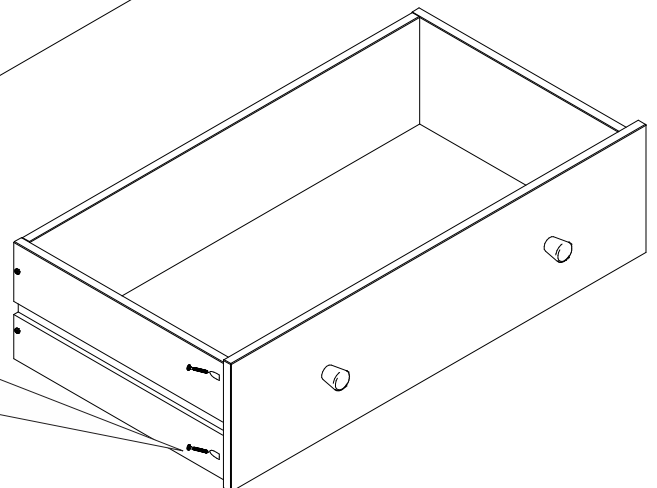
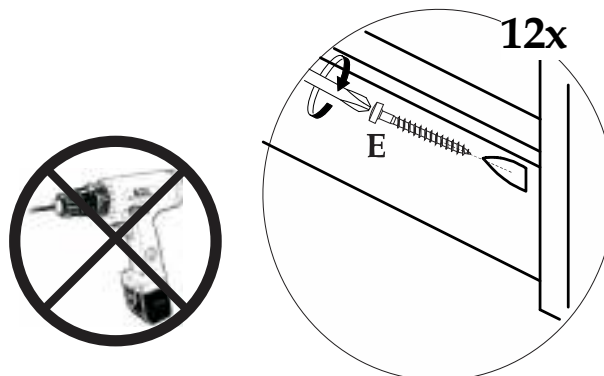
12



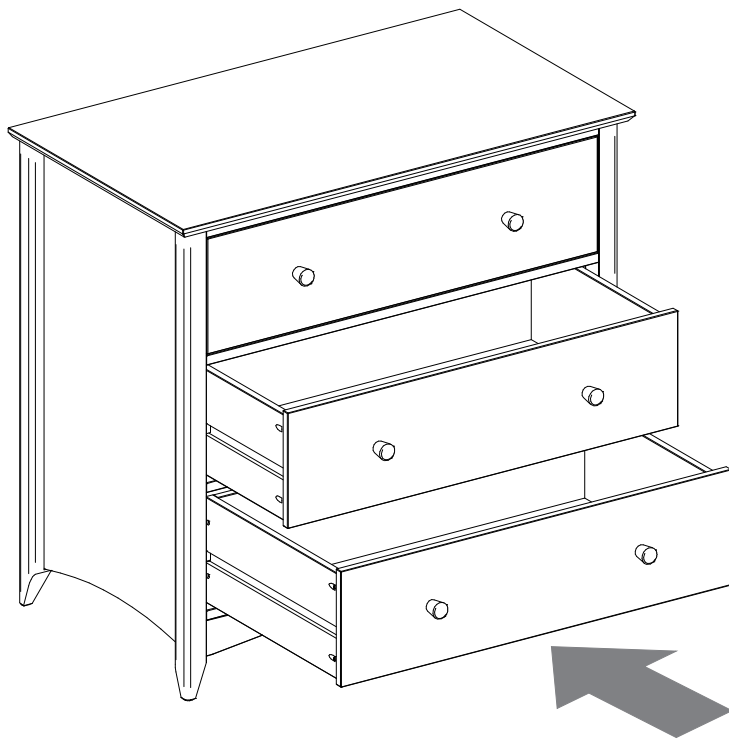
13



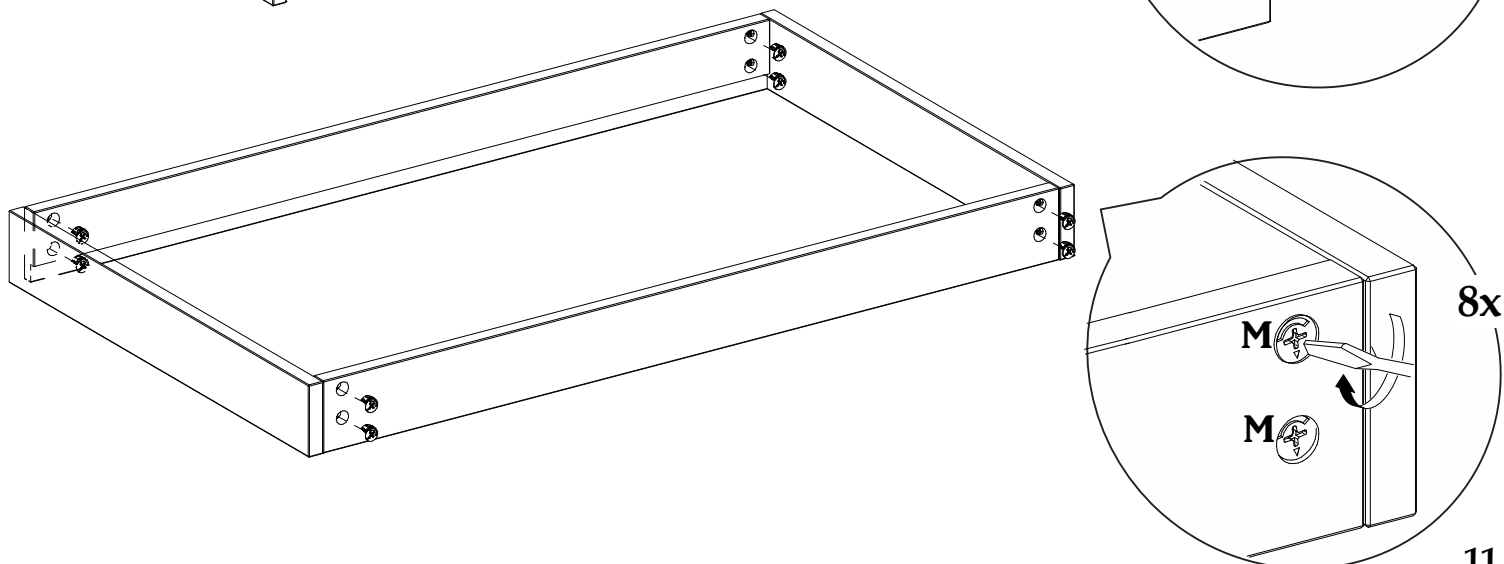
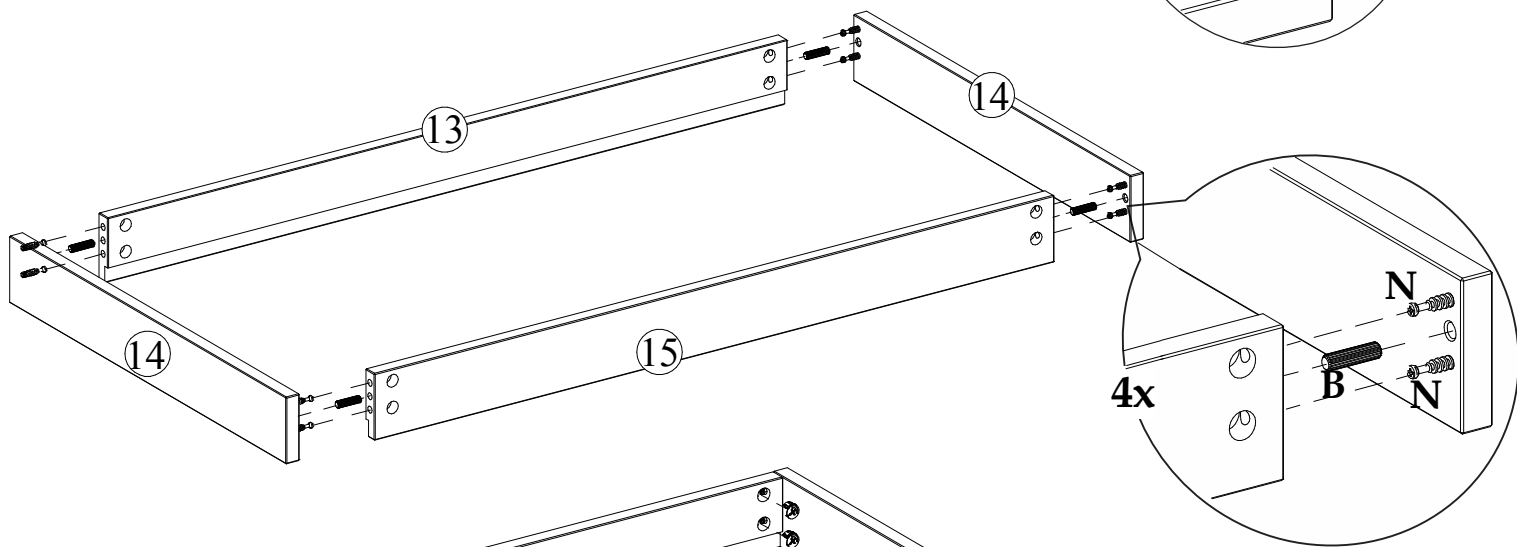
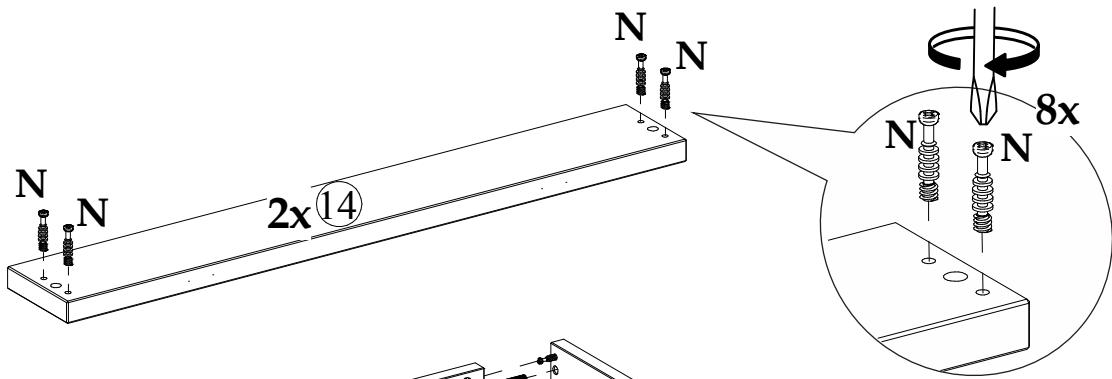
14



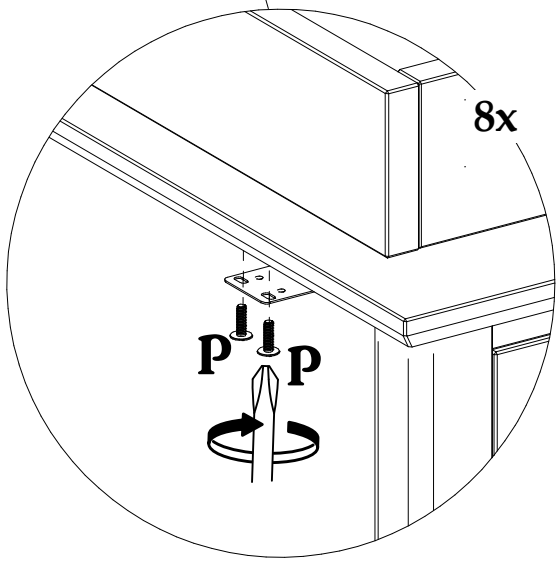
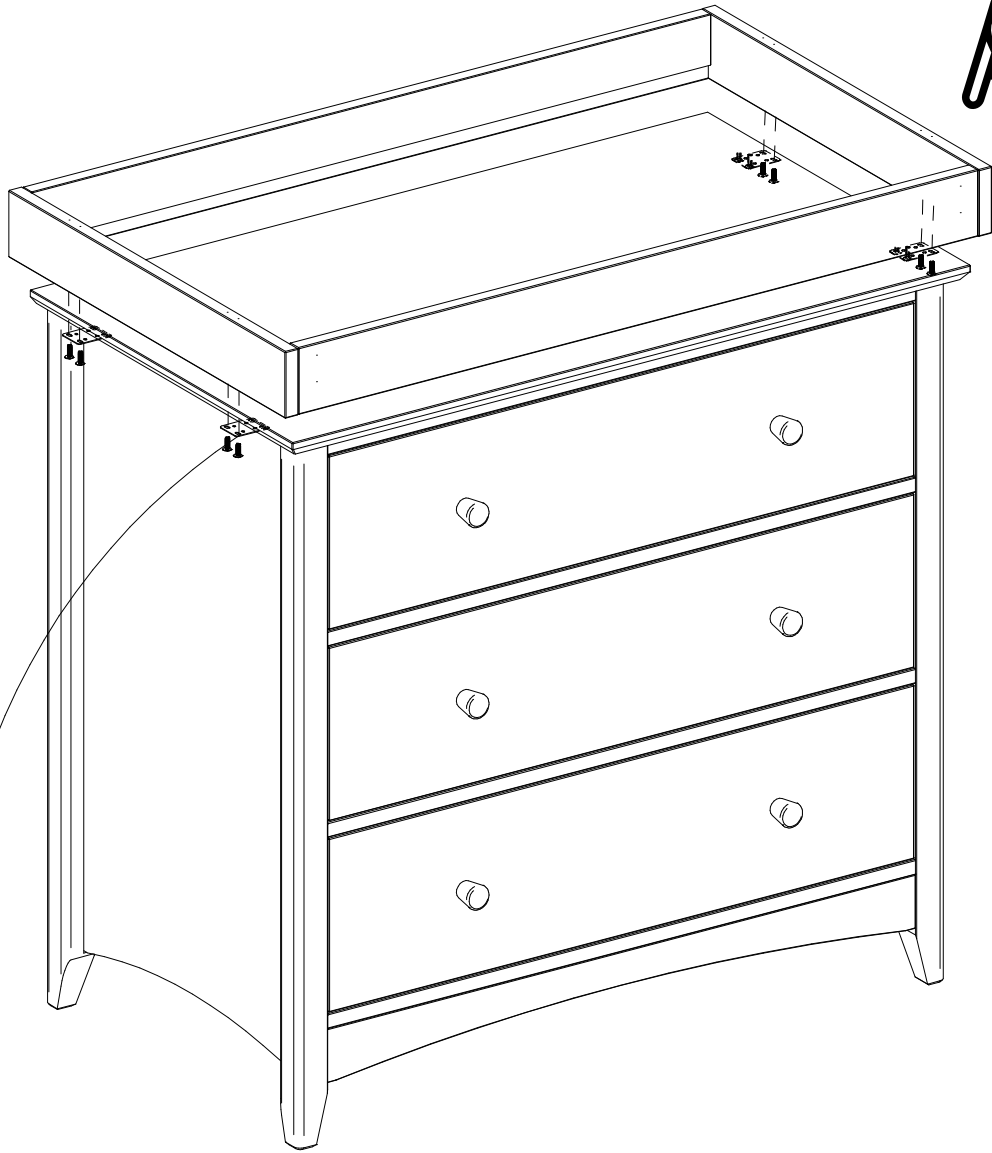
15



16



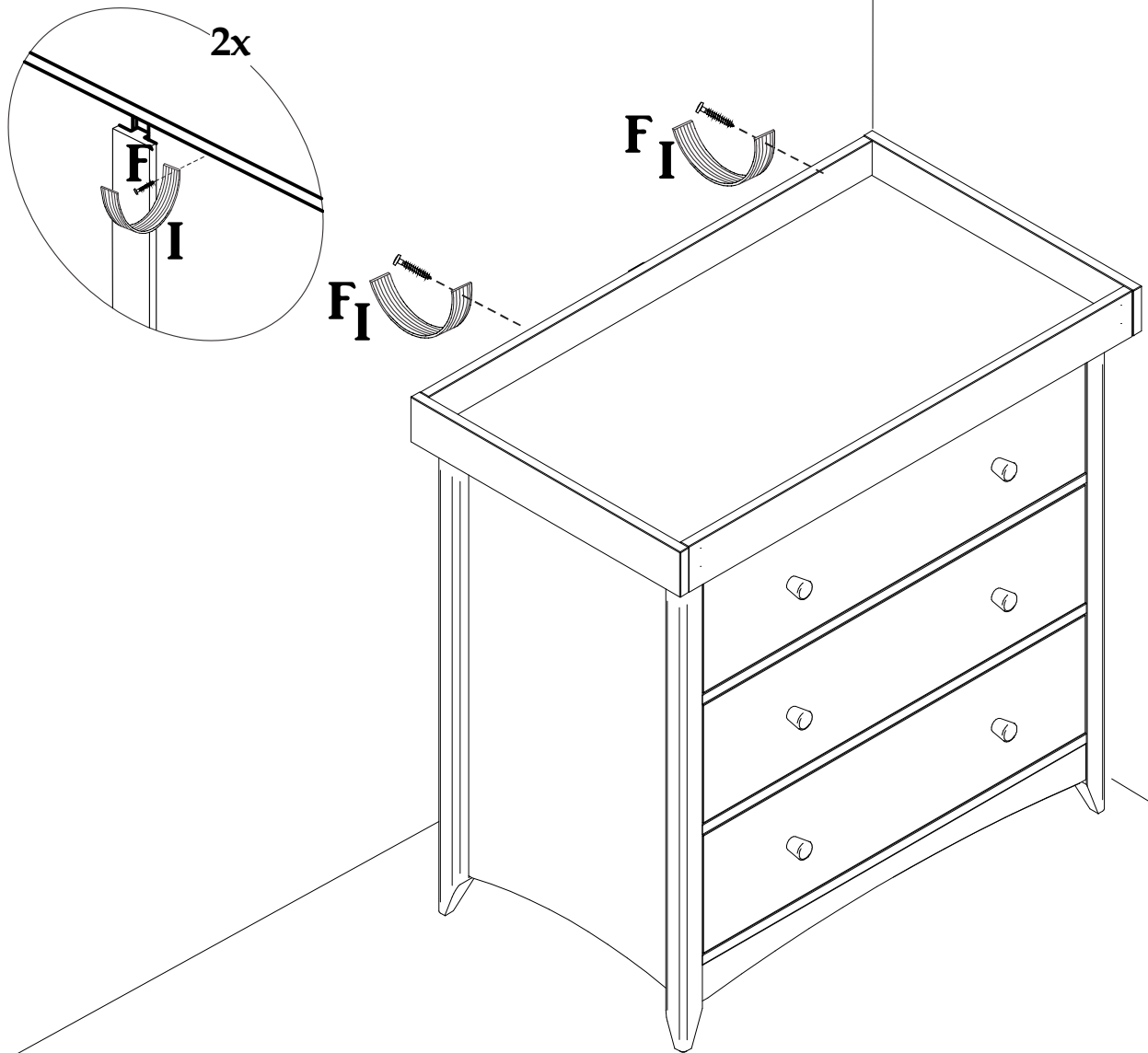
17



WARNING

The barrier must be securely attached to ensure the safety of your child.
Please ensure these bolts are tight and checked frequently to ensure they remain secure.

18



ADDITIONAL SAFETY INFORMATION

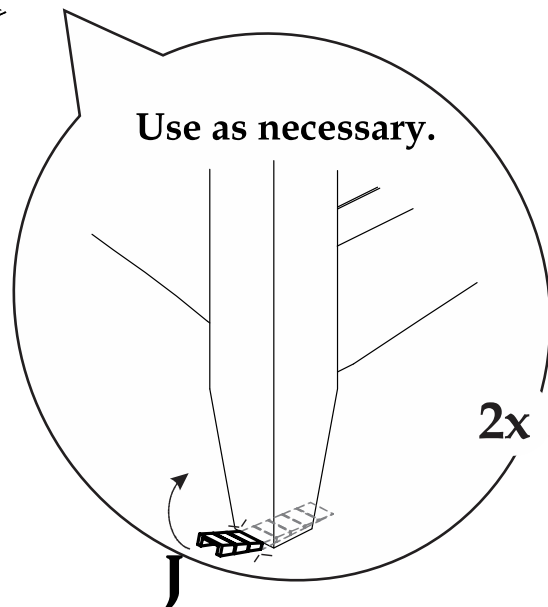
In the interest of safety, particularly where small children are concerned, we advise securing your Julian Bowen furniture to the wall to prevent the product from tipping forwards when loaded.

The screw included in this fitting pack is only intended for fixing the safety strap to the piece of furniture.

Use fixing devices suitable for the walls in your home, (NOT INCLUDED).

If you are unsure what type of fixings to use, please seek further advice from your local DIY store.

19



General Care

Wipe clean with a slightly damp soft cloth.

Avoid the use of all household cleaners and abrasives.

When moving your furniture, carefully lift into place.

Never drag or push the pieces across the floor as this will cause damage to the joints and could result in failure to the product that will invalidate the warranty.

Recommendations

Periodical re-tightening of fixings.

Warning

This unit is heavy. Please use an assistant when lifting.

Notes

We've tried to make this piece of furniture as easy to assemble as possible.

In the unlikely event that you have problems putting it together or have damaged or missing pieces, please contact our customer services on 01623 727374

Julian Bowen Limited

Bentinck House, Park Lane Business Park, Kirkby-in-Ashfield, Notts, NG17 9LE

www.julian-bowen.co.uk