

ASSEMBLY INSTRUCTIONS

Bunk Bed

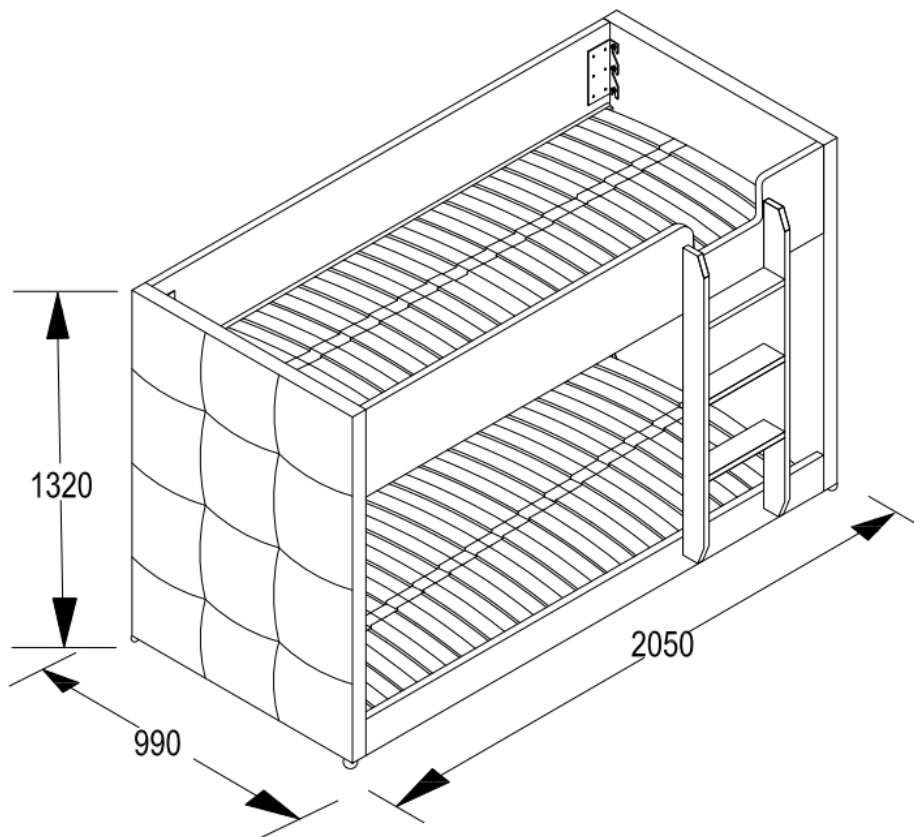
Approximate Assembly Time



People Required to Assemble



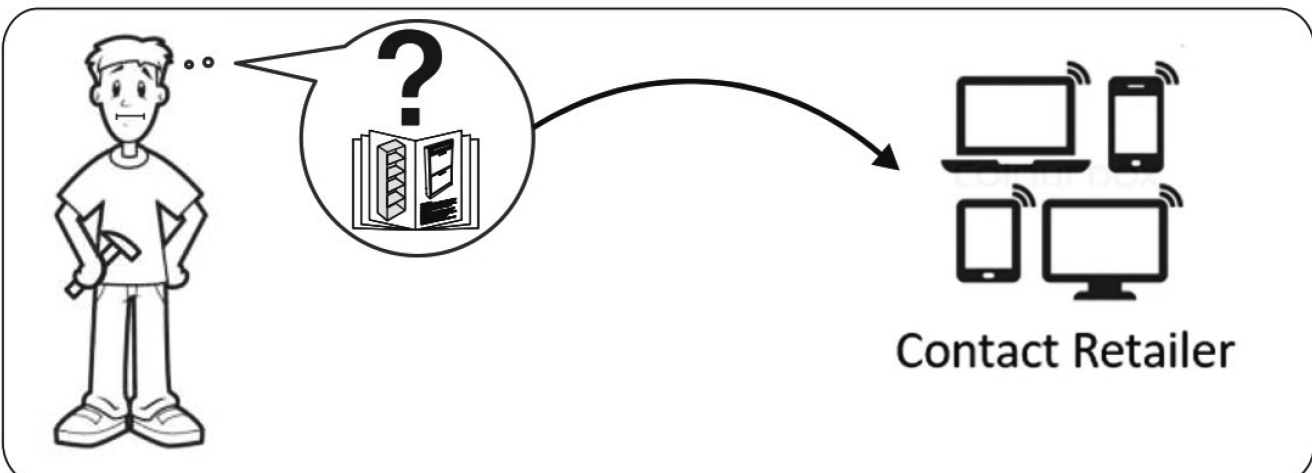
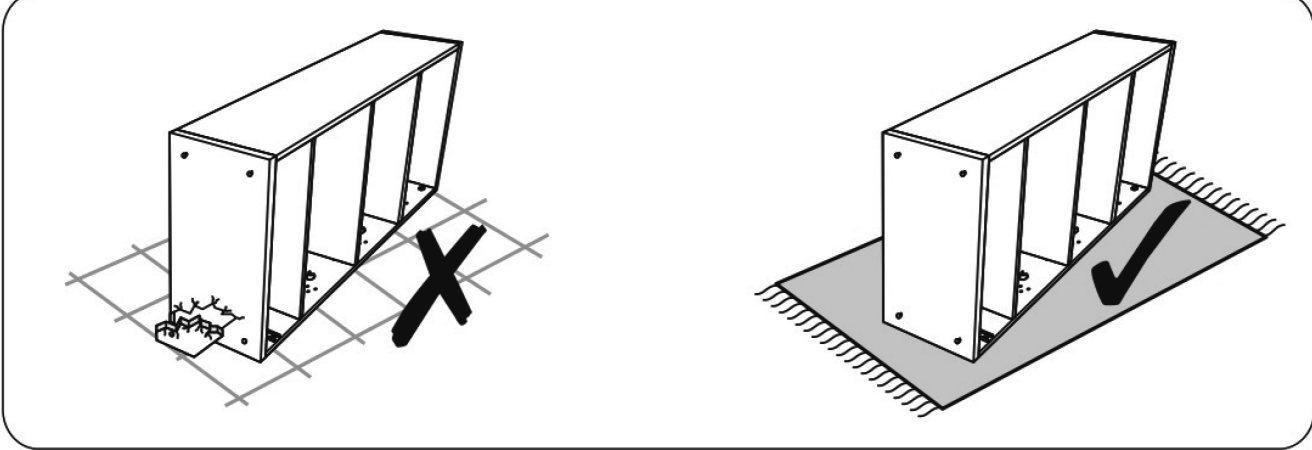
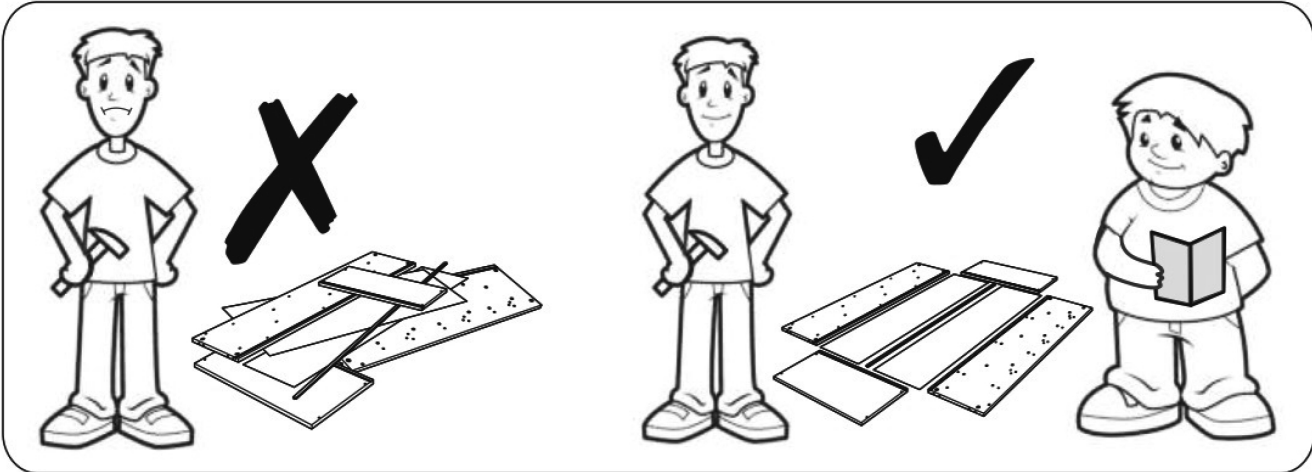
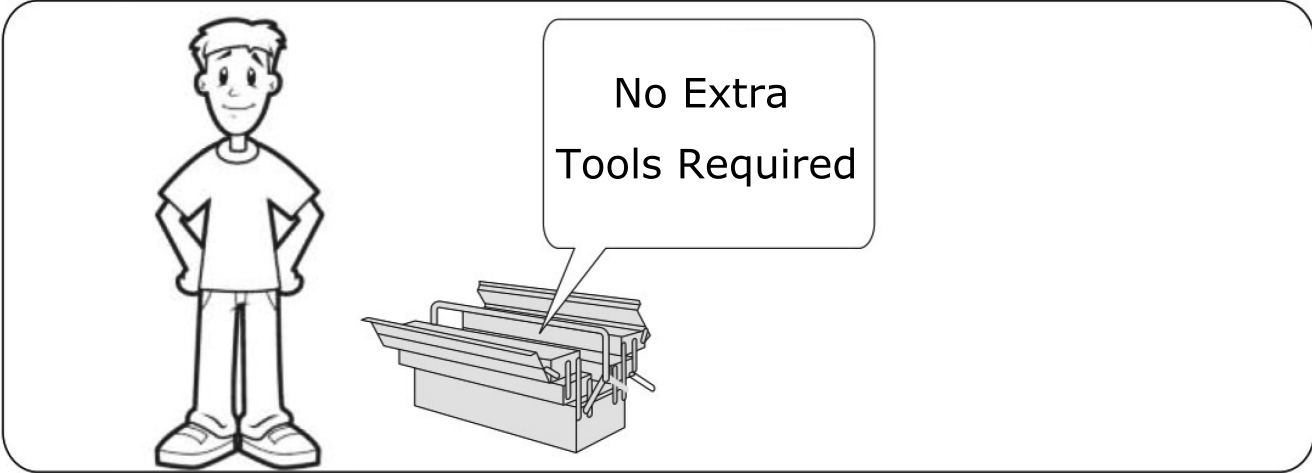
No Extra
Tools Required



Before you start...

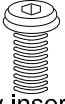
Please carefully unpack and lay out all of the component parts to ensure nothing is missing and to check each component for any obvious damage.

Should you identify any concerns at this stage please contact the retailer from whom this product was purchased. Please quote your order number, details of your issue, the product code, and the batch number from the cartons which will help to resolve your issue as quickly as possible.



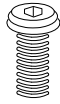
Hardware

1



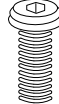
Already inserted into
Head & Foot Ends
Bolt M8 x30mm
- 20 X

2



Bolt M6 x30mm
- 8 X

3



Bolt M8 x45mm
- 4 X

4



Washer M8 x22mm
- 4 X

5



Screw M4 x 35mm
- 4 X

6



Allen Key (M4)
- 1 X

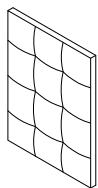
7



Allen Key (M5)
- 1 X

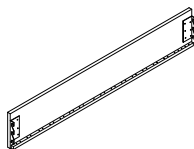
Parts

A



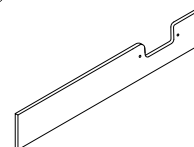
Panel - 2 X

B



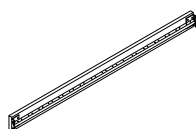
Bed side (Left) - 1 X

C



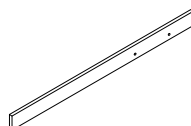
Bed side (Right) - 1 X

D



Bed side (Left) - 1 X

E



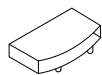
Bed side (Right) - 1 X

F



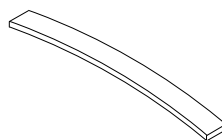
Strap iron - 2 X

G



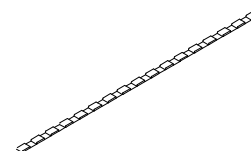
Single Plastic Cap Side - 68 X

H



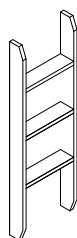
Slats- 34 X

I



Belt - 2 X

J



Ladder - 1 X

K



Feet - 4 X

IMPORTANT INFORMATION

WARNING - High Beds and the upper bed of bunk beds are not suitable for children under six years due to the risk of injury from falls.

WARNING - Bunk beds and high beds can present a serious risk of injury from strangulation if not used correctly. Never attach or hang items to any part of the bunk bed that are not designed to be used with the bed, for example, but not limited to ropes, st rings, cords, hooks, belts and bags.

WARNING - Children can become trapped between the bed and the wall, a roof pitch, the ceiling, adjoining pieces of furniture (e.g.cupboards) and the like. To avoid risk of serious injury the distance between the top safety barrier and the adjoining structure shall not exceed 75mm or shall be more than 230mm.

WARNING - Do not use the bunk bed / high bed if any structural part is broken or missing. It is recommended that you always follow the manufacturer's instructions to assemble this product.

Always follow the manufacturer's recommended mattress size, as per these instructions and the bunk bed / high bed maximum mattress height marking on the item:

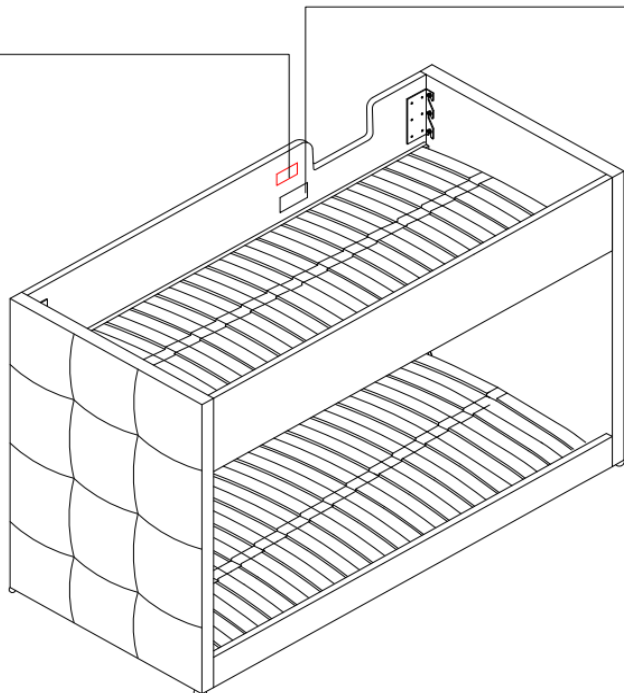
Recommended Mattress Size: 90cm x 190cm (UK Single) with Maximum Depth of 15.0cm

It is necessary to frequently ventilate the room in order to keep the humidity low and to prevent mold in and around the bed.

Please periodically check all the fixings of the item and re-tighten when necessary.

This item conforms to European Safety Standards - BS EN747-1: 2024, EN747-2: 2024.

IMPORTANT SAFETY WARNING!
DO NOT PLACE THE MATTRESS ABOVE THE LINE MARKED ABOVE AND DO NOT REMOVE THIS LABEL



	BUNK BED Product Code: TED001 Julian Bowen Limited Bentlinc House Park Lane Business Park Kirkby-in-Ashfield Nottinghamshire NG17 9LE	CERTIFICATION LABEL This bunk bed model has been tested by an independent laboratory and is in compliance with BS EN747-1:2024, EN747-2:2024 Standard Consumer Safety Specification For Bunk Beds & High Beds
	Factory ID: Manufactured in China Date of Manufacture: May 2026	WARNING: THIS UPPER BED IS NOT SUITABLE FOR CHILDREN UNDER SIX YEARS

Safety Advice

Please take the time to carefully read through the whole of these instructions before you commence.

Keep these instructions for future reference.

Unpack, inspect and check off all of the contents.

Please dispose of all packaging safely.

Small component parts could choke a child if swallowed.

We strongly recommend that you keep children well away from the work area.

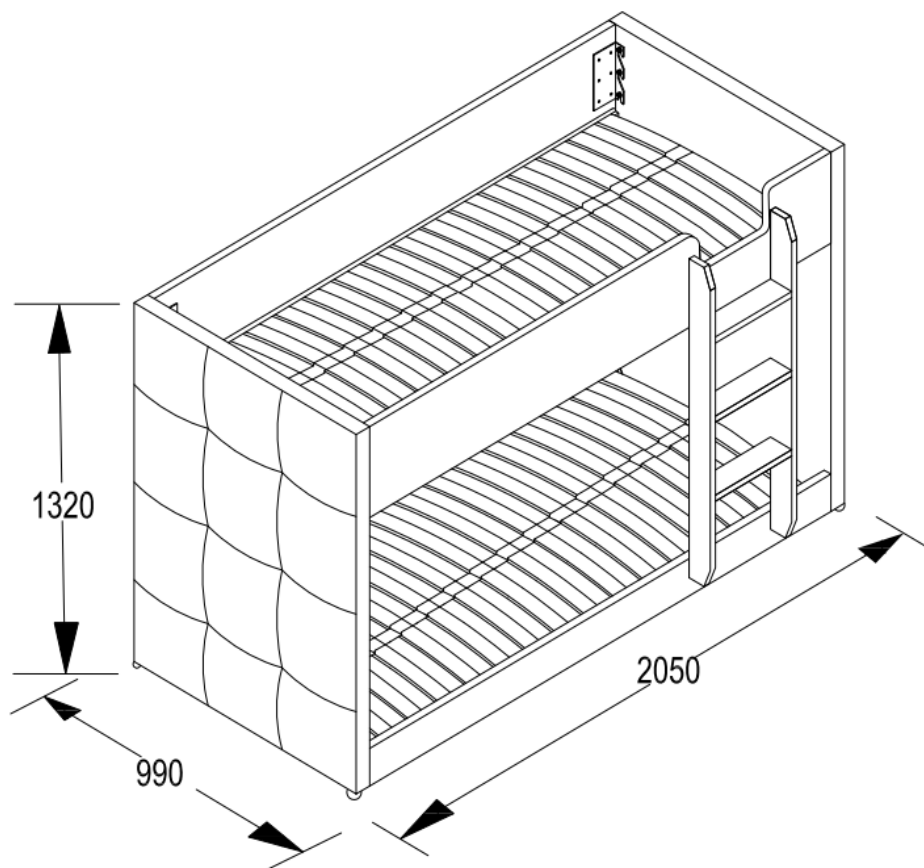
It would be sensible to lay a sheet or blanket on the floor where you intend to work to avoid scratching this product and to protect your floor.

This product is heavy. Take extreme care when lifting to avoid personal injury or damage to the product.

Assemble the product as close to its intended final position in the room as possible.

Please check the contents of boxes before attempting to assemble this product. A full checklist of parts and fittings is given in page 4 of this instruction leaflet.

HANDY HINT: If you keep the hardware in a bowl during assembly you will be less likely to lose them.



ASSEMBLY ADVICE

Please take the time to carefully read through these instructions before you commence.

Keep these instructions for future reference.

We advise that the product is assembled in the room it is intended for.

We advise that you keep the hardware in a bowl during assembly to avoid losing anything.

We strongly recommend that you keep children away from the work area.

Small component parts could choke a child if swallowed.

We recommend you use a sheet or blanket to protect both floor and product through the assembly stages.

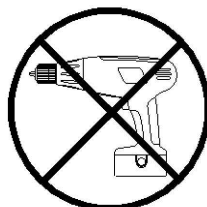
This product is heavy, and we recommend a 2 person lift to avoid personal injury or damage to the product.

Never push or pull the product as this could cause both personal injury or irreparable damage to product or floor.

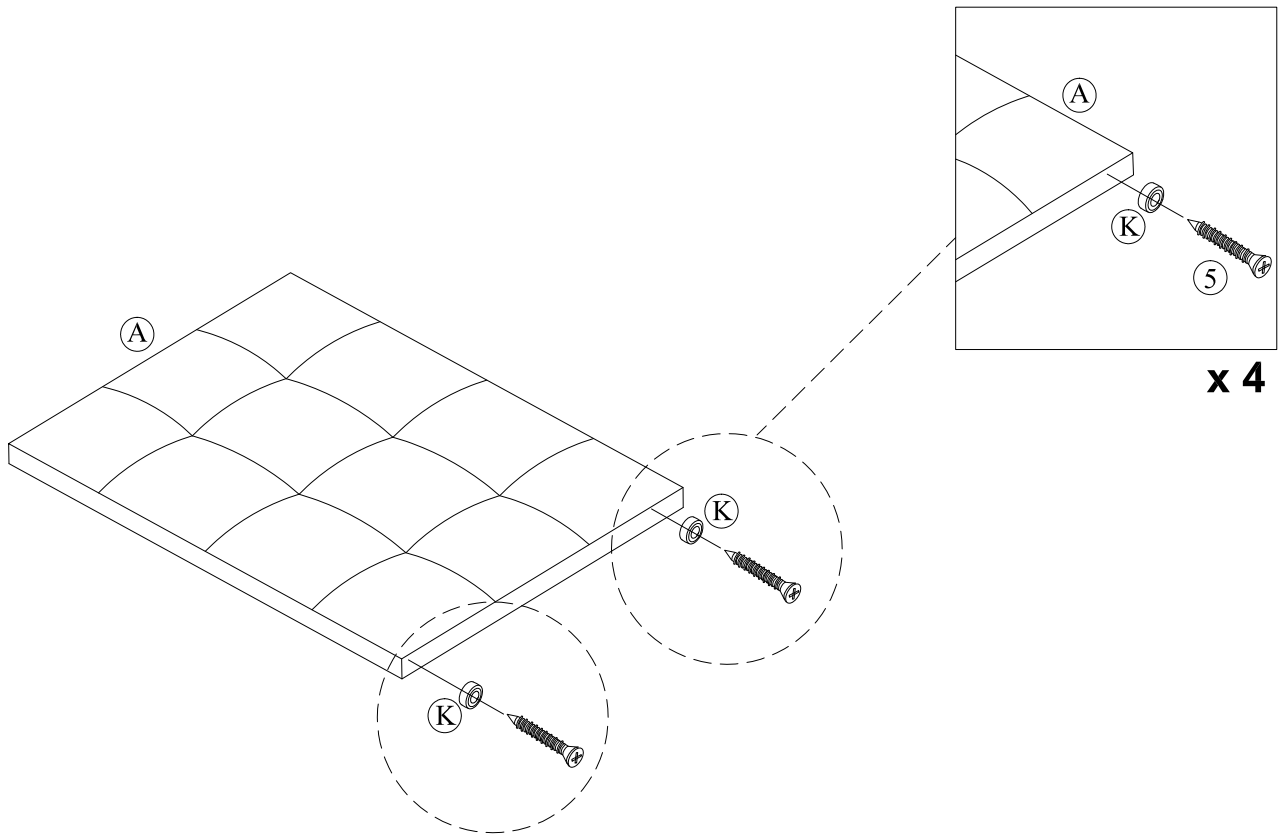
We have tried to make this piece of furniture easy to assemble if the instructions are followed carefully.

In the unlikely event that you have problems with assembling the product or have missing or damaged parts, please contact your retailer and we will assist them in rectifying the problem as quickly as possible.

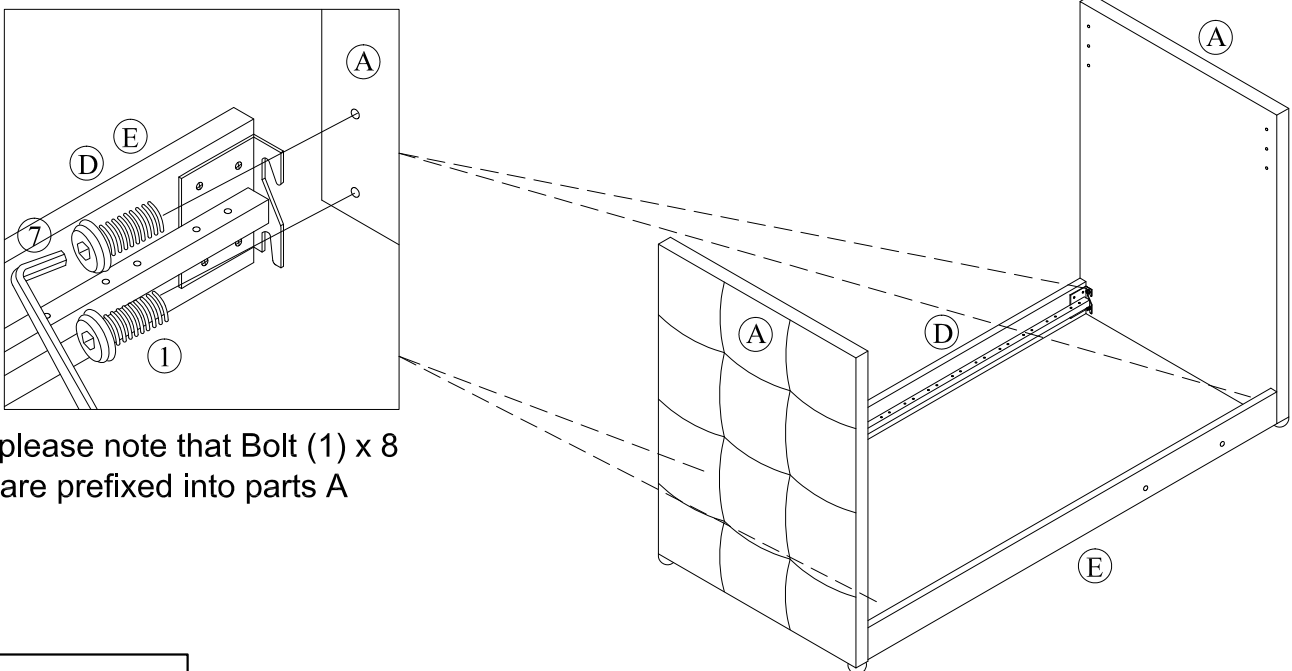
Please remember we strongly urge you DO NOT use power tools such as drill or electric screwdrivers as this could cause irreparable damage to your product and will invalidate your warranty.



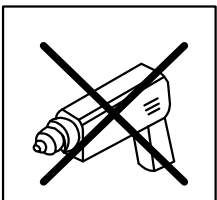
STEP 1



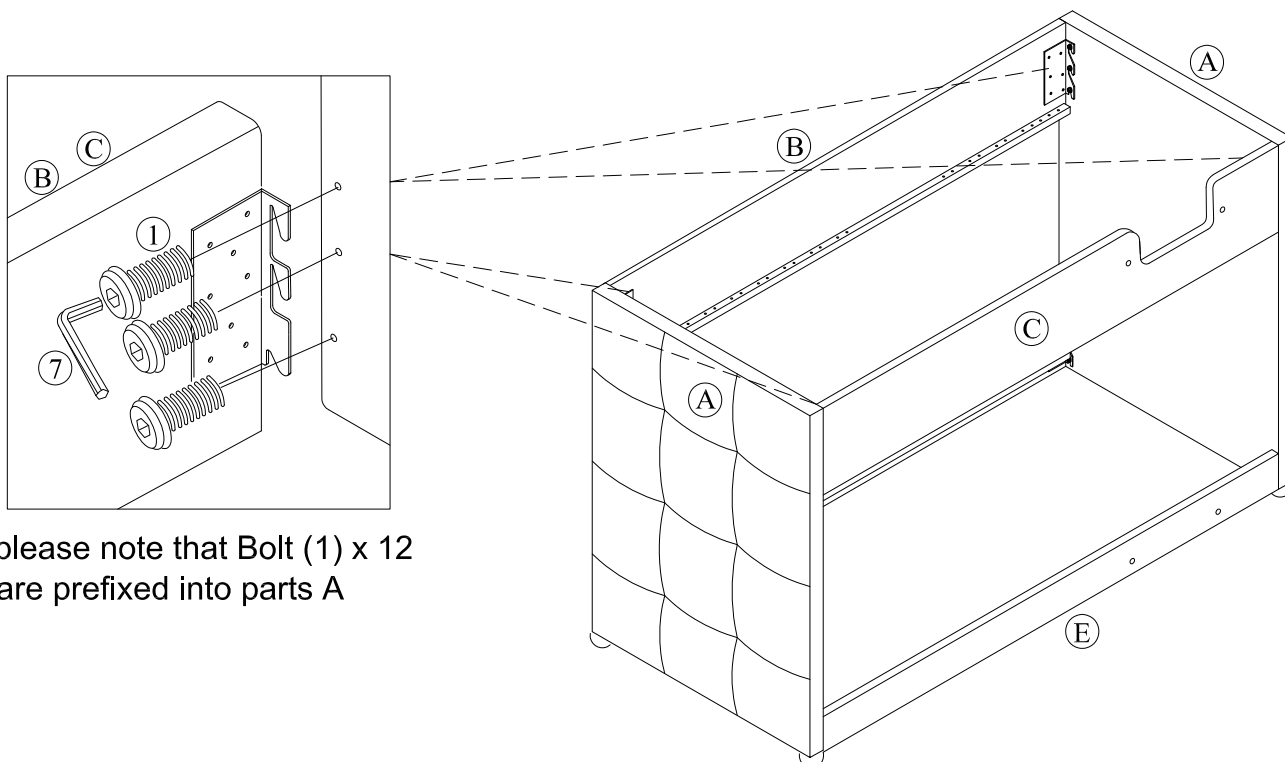
STEP 2



please note that Bolt (1) x 8
are prefixed into parts A

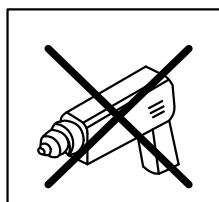
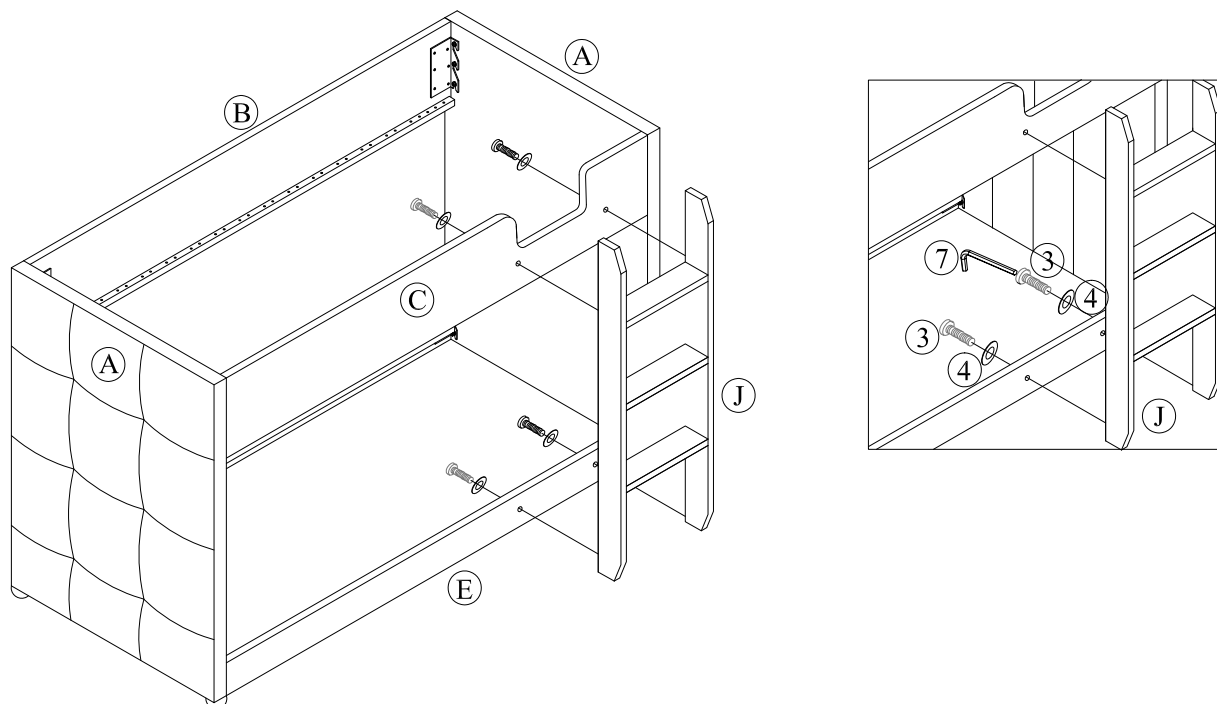


STEP 3

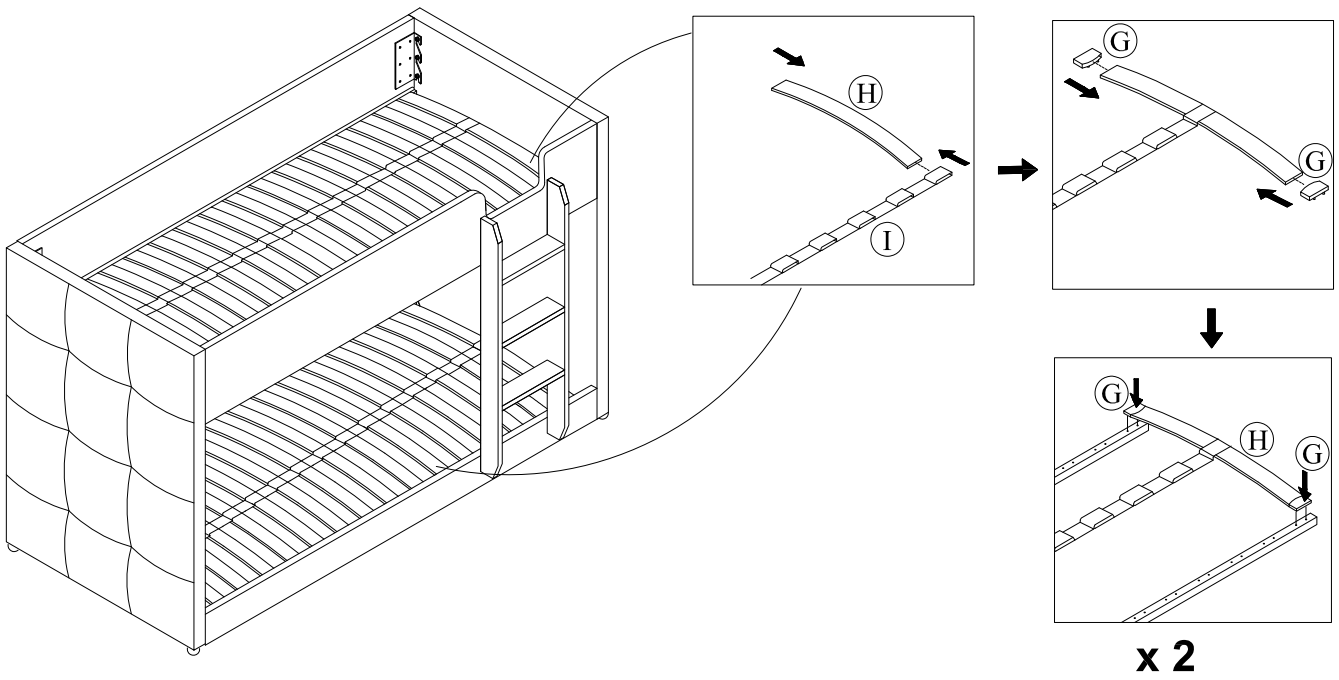


please note that Bolt (1) x 12
are prefixed into parts A

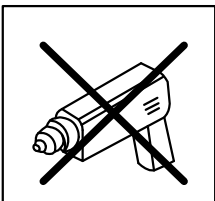
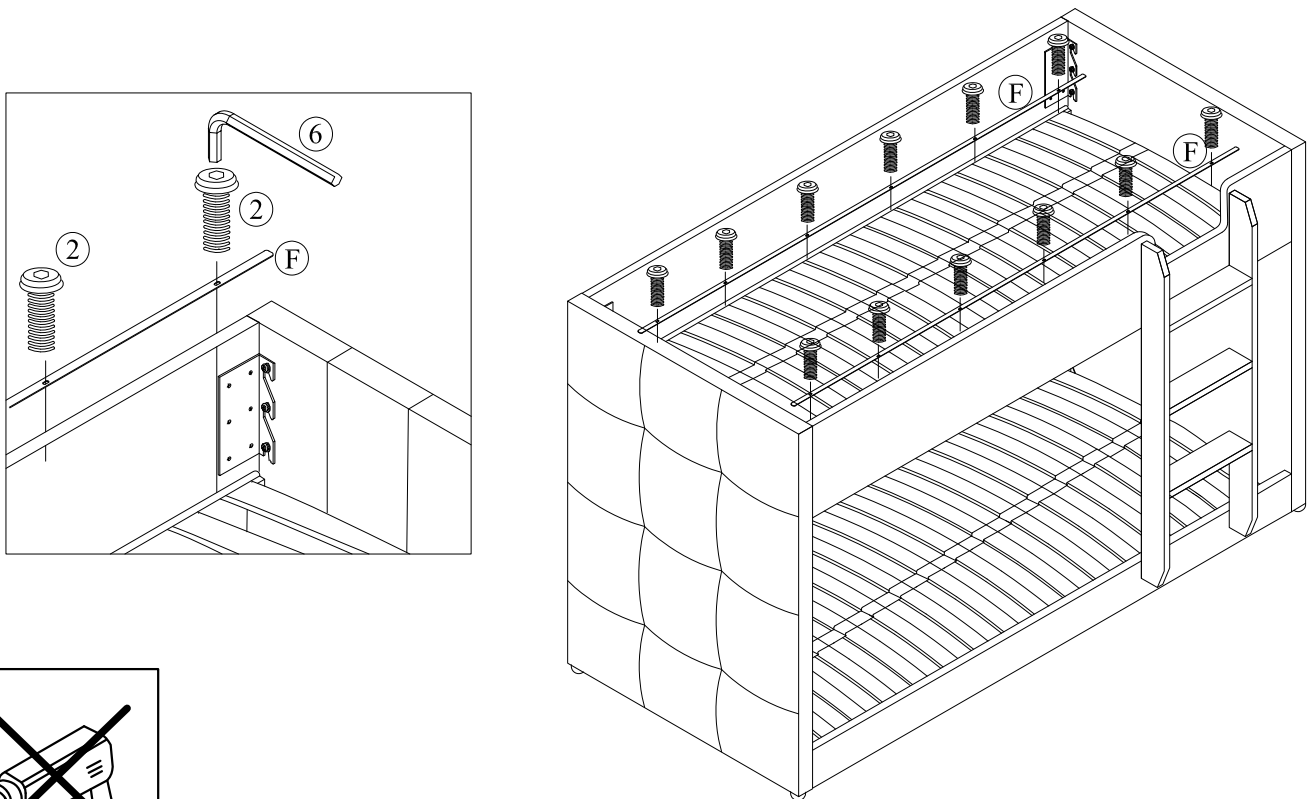
STEP 4



STEP 5



STEP 6



GENERAL CARE & MAINTENANCE

We advise that when cleaning the product that a damp cloth is used.

Avoid the use of all household cleaners and abrasive.

Never push or drag the furniture.

Never attempt to move the furniture when fully loaded.

We advise that periodically all fixing are re-tightened.

JULIAN BOWEN

Bentinck House, Park Lane Business Park, Kirkby-in-Ashfield, Notts NG17 9LE
Tel: (01623) 727374 Fax: (01623) 754555 Email: sales@julian-bowen.co.uk Web:julian-bowen.co.uk

EN:

In compliance with the EU General Product Safety Regulation (2023), Julian Bowen Limited has authorised the person named below to perform the tasks specified in the Regulation.

Name: Aris Christos Botsios Engineering Office

Address: V. Botsiou 3 Street, Eleousa, Ioannina, 45500, Greece

Email: acsbotsios82@gmail.com

Telephone: 00302651063075 (landline)

DE:

In Übereinstimmung mit der EU-Verordnung über die allgemeine Produktsicherheit (2023) hat Julian Bowen Limited die unten genannte Person ermächtigt, die in der Verordnung genannten Aufgaben wahrzunehmen.

Name: Aris Christos Botsios Ingenieurbüro

Adresse: V. Botsiou 3, Eleousa, Ioannina, 45500, Griechenland

E-Mail: acsbotsios82@gmail.com

Telefon: 00302651063075 (festnetz)

IT:

In conformità con il Regolamento Generale Sulla Sicurezza dei Prodotti dell'UE (2023), Julian Bowen Limited ha autorizzato la persona indicata di seguito a svolgere i compiti specificati nel Regolamento.

Nome: Aris Christos Botsios Ufficio tecnico

Indirizzo: V. Botsiou 3, Eleousa, Ioannina, 45500, Grecia

Email: acsbotsios82@gmail.com

Telefono: 00302651063075 (linea fissa)

FR:

Conformément au règlement de l'UE sur la Sécurité Générale des Produits (2023), Julian Bowen Limited a autorisé la personne nommée ci-dessous à effectuer les tâches spécifiées dans le règlement.

Nom: Aris Christos Botsios Bureau d'études

Adresse: V. Botsiou, Eleousa, Ioannina, 45500, Grèce

Courriel: acsbotsios82@gmail.com

Téléphone: 00302651063075 (ligne fixe)

ES:

En cumplimiento del Reglamento de la UE relativo a La Seguridad General de Los Productos (2023), Julian Bowen Limited ha autorizado a la persona nombrada a continuación a realizar las tareas especificadas en el Reglamento.

Nombre: Aris Christos Botsios Oficina de Ingeniería

Dirección: V. Botsiou 3, Eleousa, Ioannina, 45500, Grecia

Correo electrónico: acsbotsios82@gmail.com

Teléfono: 00302651063075 (teléfono fijo)

SE:

I enlighet med EU förordning om allmän produktsäkerhet (2023) har Julian Bowen Limited bemyndigat den person som anges nedan att utföra de uppgifter som anges i förordningen.

Namn: Aris Christos Botsios Ingenjörbyrå

Adress: V. Botsiou 3 Street, Eleousa, Ioannina, 45500, Grekland

E-post: acsbotsios82@gmail.com

Telefon: 00302651063075 (fast telefon)

NL:

In overeenstemming met de EU-verordening inzake algemene productveiligheid (2023) heeft Julian Bowen Limited de hieronder vermelde persoon gemachtigd om de in de verordening gespecificeerde taken uit te voeren.

Naam: Aris Christos Botsios Ingenieursbureau

Adres: V. Botsiou 3 Street, Eleousa, Ioannina, 45500, Griekenland

E-mail: acsbotsios82@gmail.com

Telefoon: 00302651063075 (vaste lijn)